

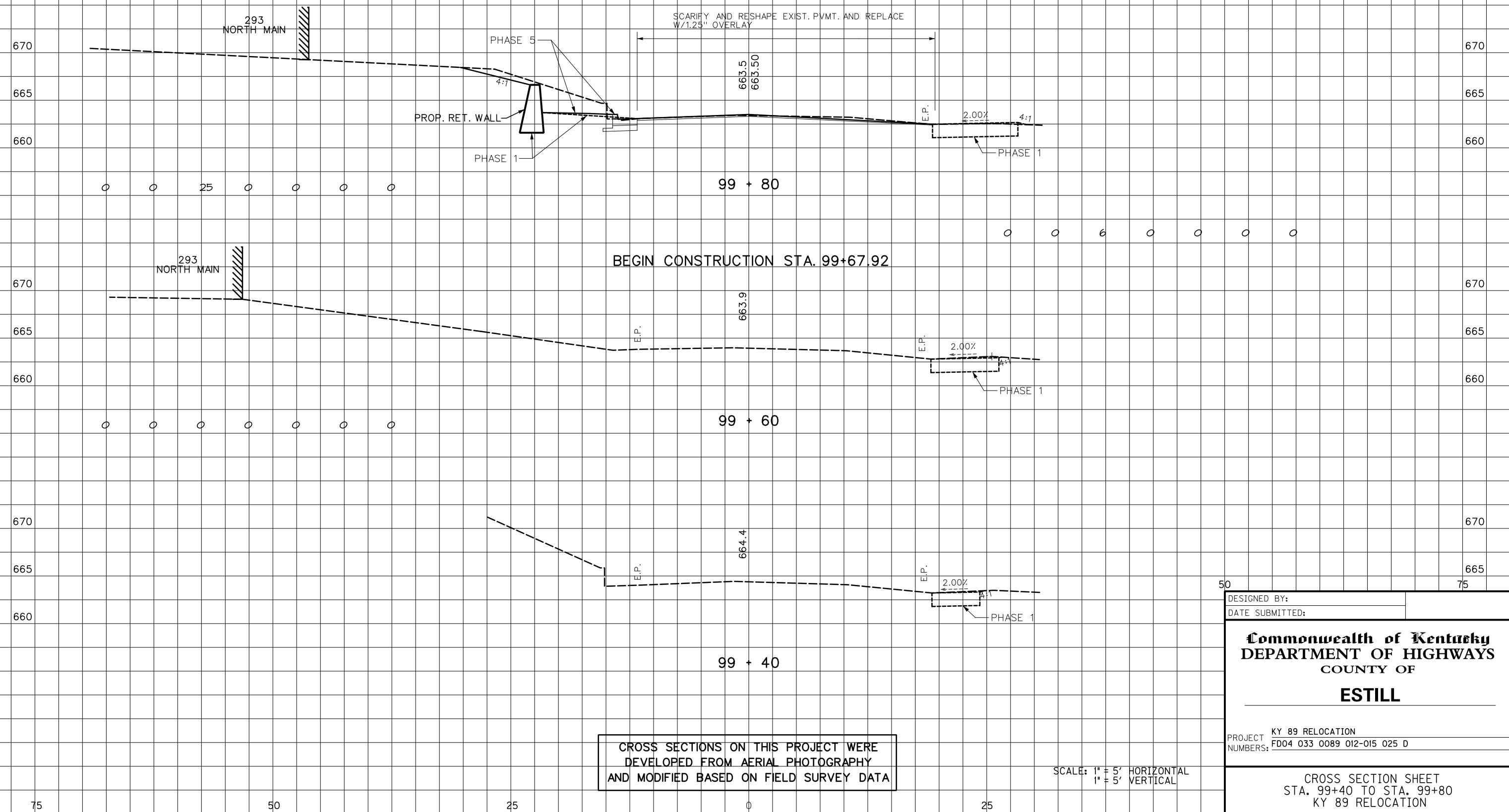
END AREAS, SQ. FT.

VOLUMES, CU. YD.

COUNTY OF	ITEM NO.	SHEET NO.
ESTILL	10-363.10	X105

SURF. DT. LT. ROCK COM EMB REFILL SURF. DT. RT. EMB BENCH

SURF. DT. LT. ROCK COM EMB REFILL SURF. DT. RT. EMB BENCH



CROSS SECTIONS ON THIS PROJECT WERE DEVELOPED FROM AERIAL PHOTOGRAPHY AND MODIFIED BASED ON FIELD SURVEY DATA

SCALE: 1" = 5' HORIZONTAL
1" = 5' VERTICAL

DESIGNED BY: _____
DATE SUBMITTED: _____

Commonwealth of Kentucky
DEPARTMENT OF HIGHWAYS
COUNTY OF
ESTILL

PROJECT: KY 89 RELOCATION
NUMBERS: FD04 033 0089 012-015 025 D

CROSS SECTION SHEET
STA. 99+40 TO STA. 99+80
KY 89 RELOCATION

FILE NAME: T:\2498 PHASE2\SOUTHEND\SHEETS\XSECTS\X89XS.DGN
 USER: JSJugantz
 DATE PLOTTED: December 2, 2012
 E-SHEET NAME:
 MicroStation v8.11.7.443

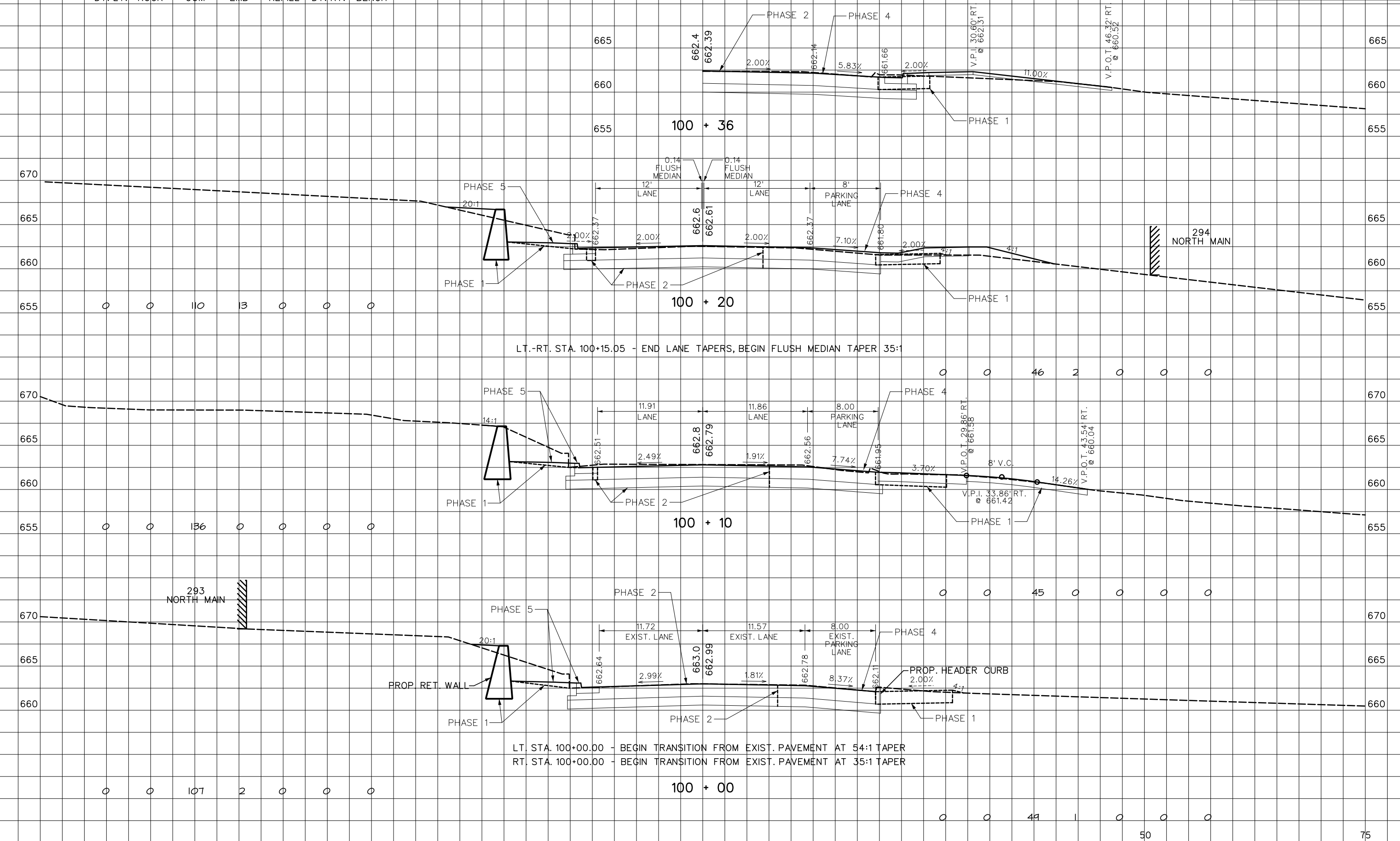
END AREAS, SQ. FT.

VOLUMES, CU. YD.

COUNTY OF	ITEM NO.	SHEET NO.
ESTILL	10-363.10	X106

SURF. DT. LT. ROCK COM EMB REFILL SURF. DT. RT. EMB BENCH

SURF. DT. LT. ROCK COM EMB REFILL SURF. DT. RT. EMB BENCH



SCALE: 1" = 5' HORIZONTAL
1" = 5' VERTICAL

CROSS SECTION SHEET
STA. 100+00 TO STA. 100+36
KY 89 RELOCATION

FILE NAME: T:\2498 PHASE2\SOUTHEND\SHEETS\XSECTS\X106XS.DGN
 USER: jsugantz
 DATE PLOTTED: December 2, 2012
 E-SHEET NAME: X10600XS
 MicroStation v8.11.7.443

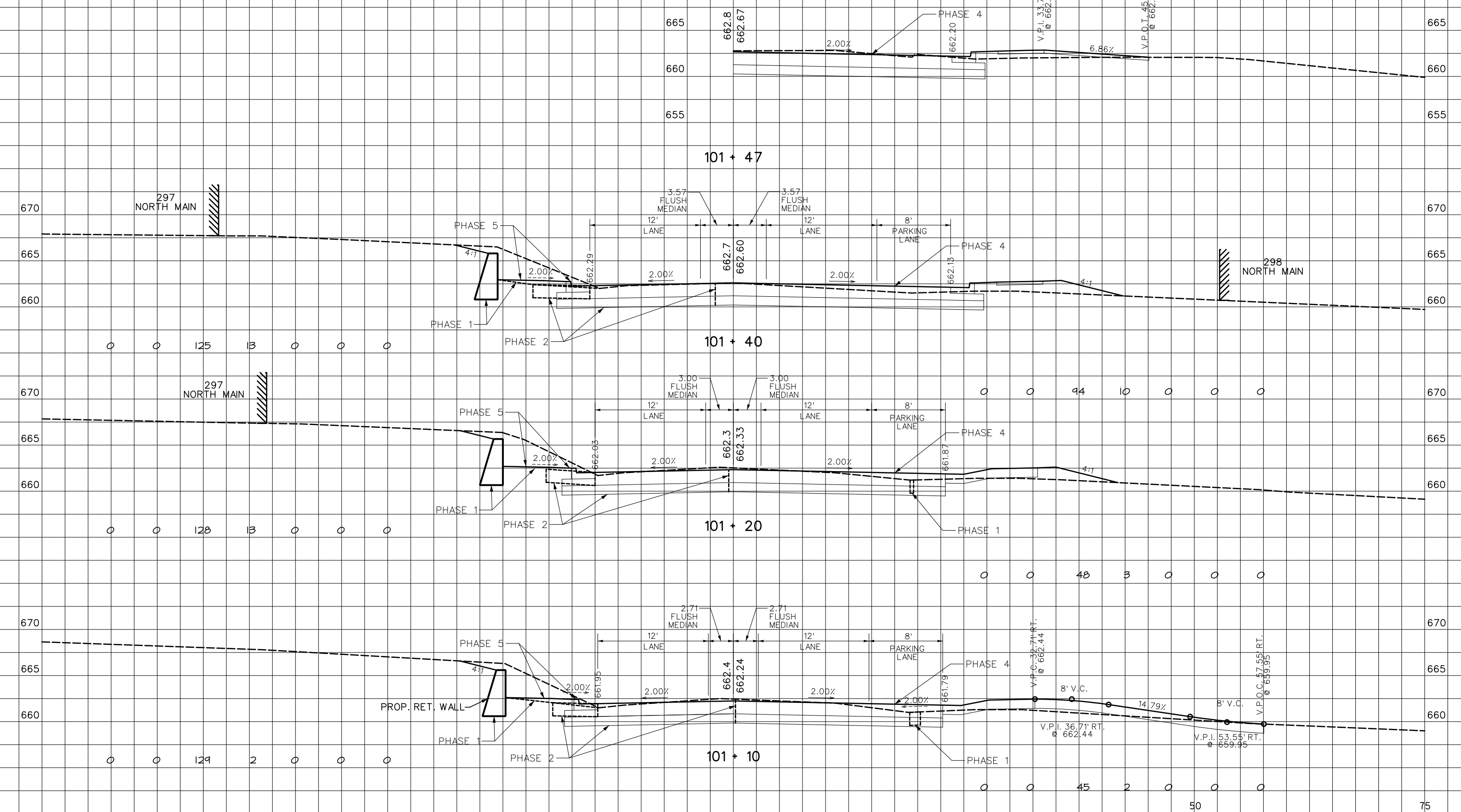
END AREAS, SQ. FT.

VOLUMES, CU. YD.

COUNTY OF	ITEM NO.	SHEET NO.
ESTILL	10-363.10	X108

SURF. DT. LT. ROCK COM EMB REFILL SURF. DT. RT. EMB BENCH

SURF. DT. LT. ROCK COM EMB REFILL SURF. DT. RT. EMB BENCH



SCALE: 1" = 5' HORIZONTAL
1" = 5' VERTICAL

CROSS SECTION SHEET
STA. 101+10 TO STA. 101+47
KY 89 RELOCATION

MicroStation v8.11.7.443
E-SHEET NAME: X10800XS
USER: jsilgantz
DATE PLOTTED: December 2, 2012
FILE NAME: T:\2498 PHASE2\SOUTHEND\SHEETS\XSECTS\X10800XS.DGN

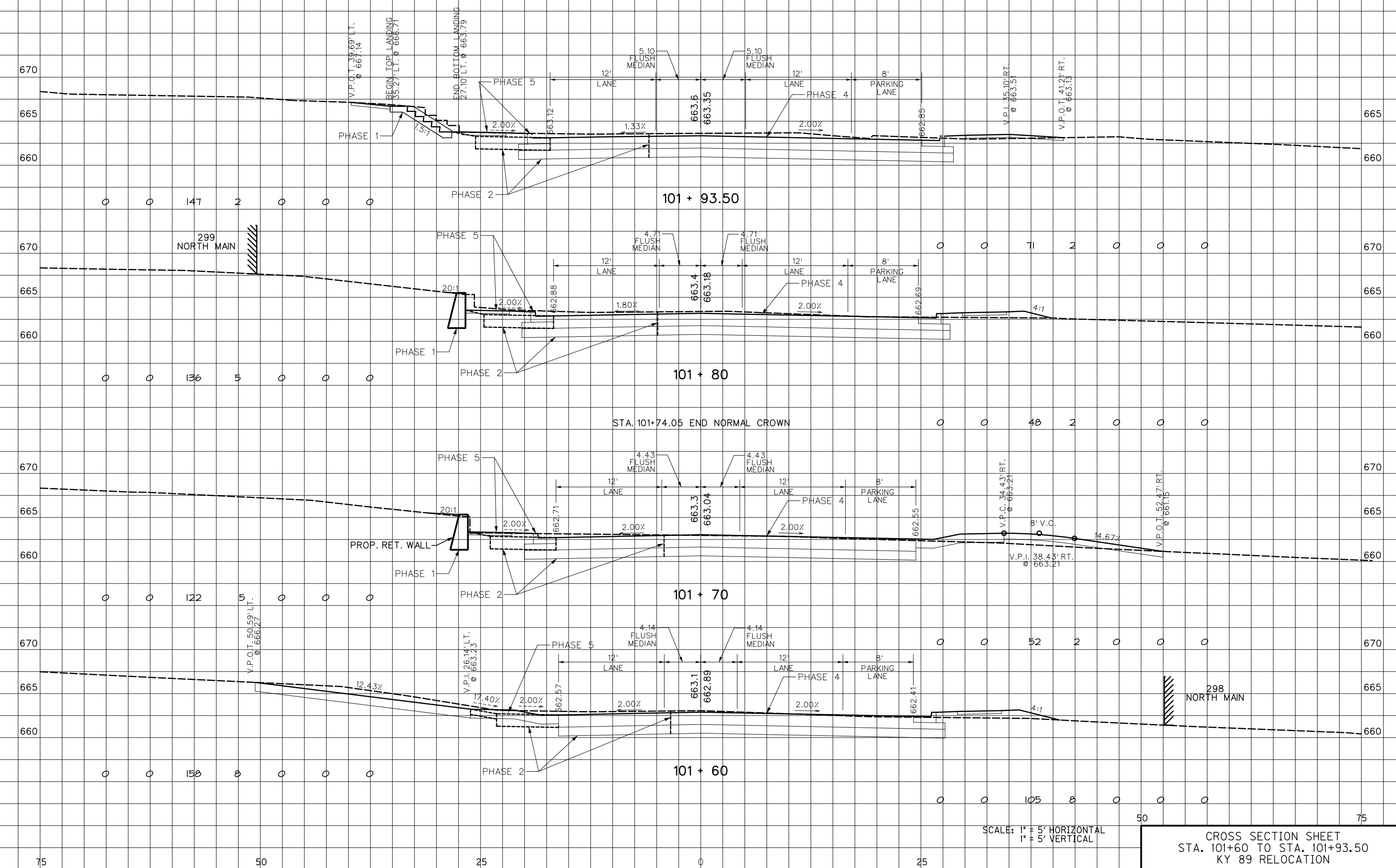
END AREAS, SQ. FT.

VOLUMES, CU. YD.

COUNTY OF	ITEM NO.	SHEET NO.
ESTILL	10-363.10	X109

SURF. DT. LT.	ROCK	COM	EMB	REFILL	SURF. DT. RT.	EMB BENCH
---------------	------	-----	-----	--------	---------------	-----------

SURF. DT. LT.	ROCK	COM	EMB	REFILL	SURF. DT. RT.	EMB BENCH
---------------	------	-----	-----	--------	---------------	-----------



FILE NAME: T:\2498 PHASE2\SOUTHEND\SHEETS\XSECTS\X109XS.DGN
 USER: jsugantz
 DATE PLOTTED: December 2, 2012
 E-SHEET NAME: X10900XS
 MicroStation v8.11.7.443

CROSS SECTION SHEET
 STA. 101+60 TO STA. 101+93.50
 KY 89 RELOCATION

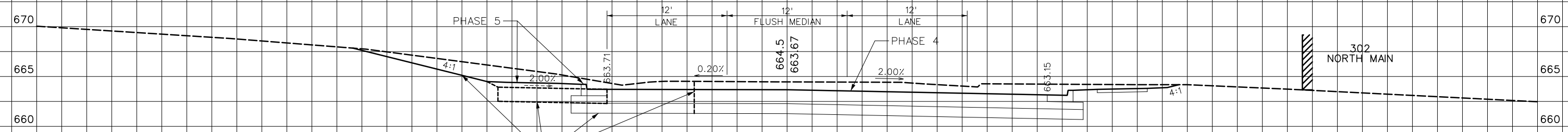
END AREAS, SQ. FT.

VOLUMES, CU. YD.

COUNTY OF	ITEM NO.	SHEET NO.
ESTILL	10-363.10	X110

SURF. DT. LT.	ROCK	COM	EMB	REFILL	SURF. DT. RT.	EMB BENCH
---------------	------	-----	-----	--------	---------------	-----------

SURF. DT. LT.	ROCK	COM	EMB	REFILL	SURF. DT. RT.	EMB BENCH
---------------	------	-----	-----	--------	---------------	-----------



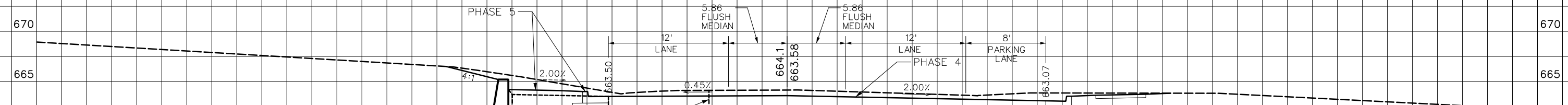
0	0	192	0	0	0	0
---	---	-----	---	---	---	---

0	0	131	0	0	0	0
---	---	-----	---	---	---	---



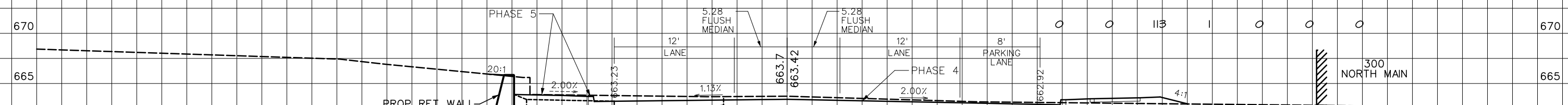
0	0	163	0	0	0	0
---	---	-----	---	---	---	---

0	0	113	1	0	0	0
---	---	-----	---	---	---	---



0	0	141	4	0	0	0
---	---	-----	---	---	---	---

0	0	35	1	0	0	0
---	---	----	---	---	---	---



SCALE: 1" = 5' HORIZONTAL
 1" = 5' VERTICAL

CROSS SECTION SHEET
 STA. 102+00 TO STA. 102+40
 KY 89 RELOCATION

MicroStation v8.11.7.443
 E-SHEET NAME: X11000XS
 USER: jsilvantz
 DATE PLOTTED: December 2, 2012
 FILE NAME: T:\2498 PHASE2\SOUTHEND\SHEETS\XSECTS\X89XS.DGN

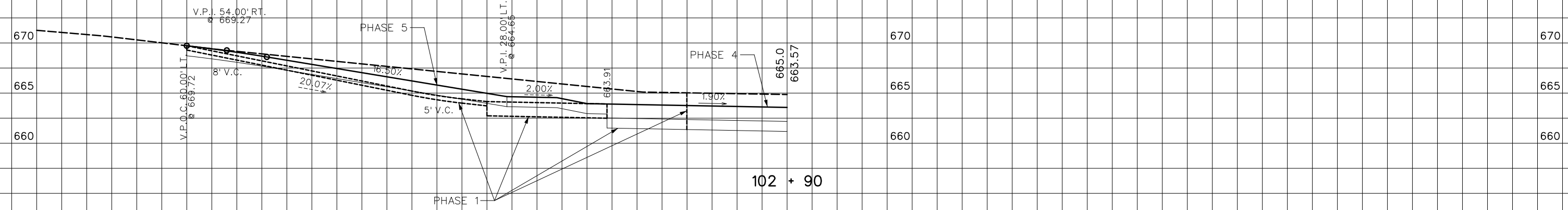
END AREAS, SQ. FT.

VOLUMES, CU. YD.

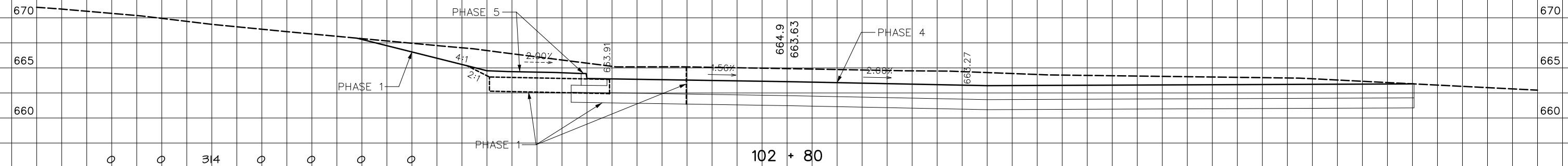
COUNTY OF	ITEM NO.	SHEET NO.
ESTILL	10-363.10	XIII

SURF. DT. LT.	ROCK	COM	EMB	REFILL	SURF. DT. RT.	EMB BENCH
---------------	------	-----	-----	--------	---------------	-----------

SURF. DT. LT.	ROCK	COM	EMB	REFILL	SURF. DT. RT.	EMB BENCH
---------------	------	-----	-----	--------	---------------	-----------

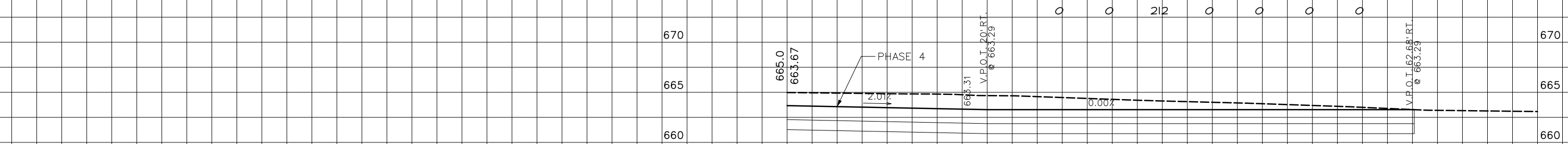


102 + 90



102 + 80

RICE STREET
Sta. 102 + 69.39 @ 1° 7'6" SKW. LT.



102 + 60

SCALE: 1" = 5' HORIZONTAL
1" = 5' VERTICAL

CROSS SECTION SHEET
STA. 102+60 TO STA. 102+90
KY 89 RELOCATION

FILE NAME: T:\2498 PHASE2\SOUTHEND\SHEETS\XSECTS\KY89XS.DGN
 USER: JSJugantz
 DATE PLOTTED: December 2, 2012
 E-SHEET NAME: XIII00XS
 MicroStation v8.11.7.443

75 50 25 0 25 50 75

END AREAS, SQ. FT.

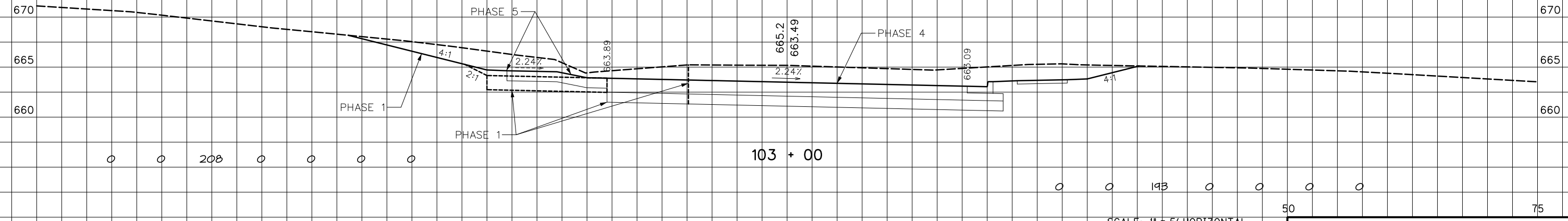
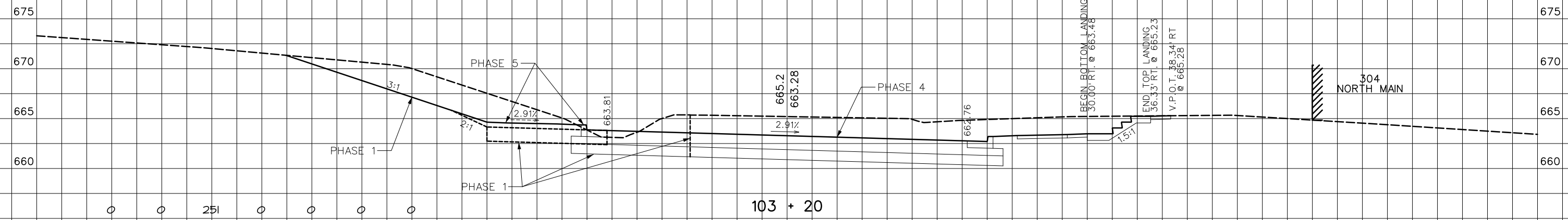
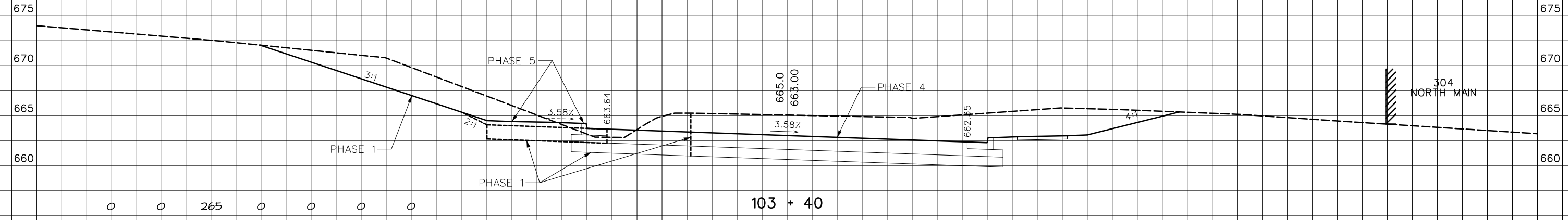
VOLUMES, CU. YD.

COUNTY OF	ITEM NO.	SHEET NO.
ESTILL	10-363.10	X112

SURF. DT. LT. ROCK COM EMB REFILL SURF. DT. RT. EMB BENCH

SURF. DT. LT. ROCK COM EMB REFILL SURF. DT. RT. EMB BENCH

STA. 103+43.51 - BEGIN FULL SUPER



SCALE: 1" = 5' HORIZONTAL
1" = 5' VERTICAL

CROSS SECTION SHEET
STA. 103+00 TO STA. 103+40
KY 89 RELOCATION

MicroStation v8.11.7.443
 E-SHEET NAME: X11200XS
 USER: jsilgantz
 DATE PLOTTED: December 2, 2012
 FILE NAME: T:\2498 PHASE2\SOUTHEND\SHEETS\XSECTS\X11200XS.DGN

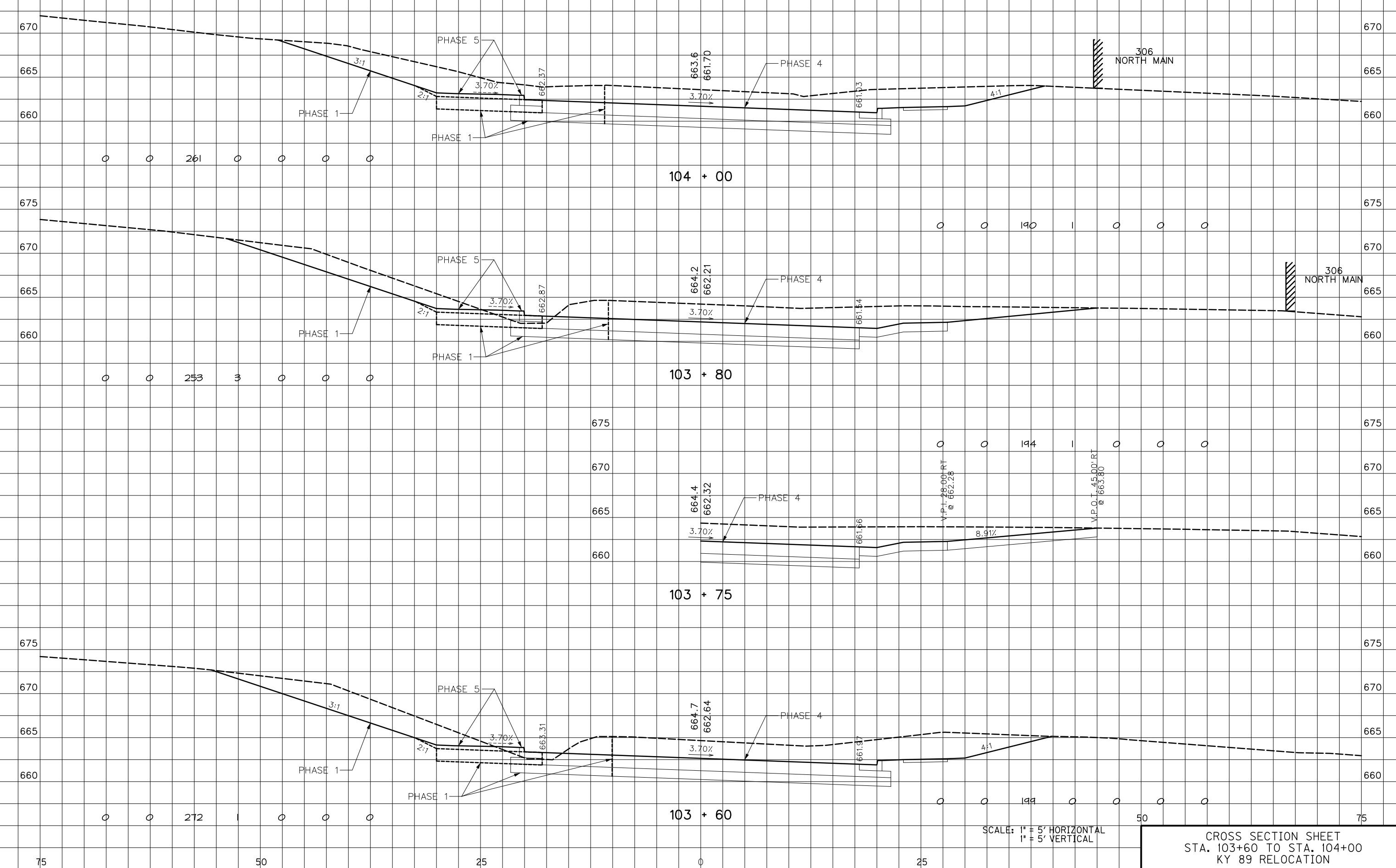
END AREAS, SQ. FT.

VOLUMES, CU. YD.

COUNTY OF	ITEM NO.	SHEET NO.
ESTILL	10-363.10	X113

SURF. DT. LT. ROCK COM EMB REFILL SURF. DT. RT. EMB BENCH

SURF. DT. LT. ROCK COM EMB REFILL SURF. DT. RT. EMB BENCH



SCALE: 1" = 5' HORIZONTAL
1" = 5' VERTICAL

CROSS SECTION SHEET
STA. 103+60 TO STA. 104+00
KY 89 RELOCATION

MicroStation v8.11.7.443 E-SHEET NAME: X11300XS USER: JSJugantZ DATE PLOTTED: December 2, 2012 FILE NAME: T:\2498 PHASE2\SOUTHEND\SHEETS\XSECTS\X189XS.DGN

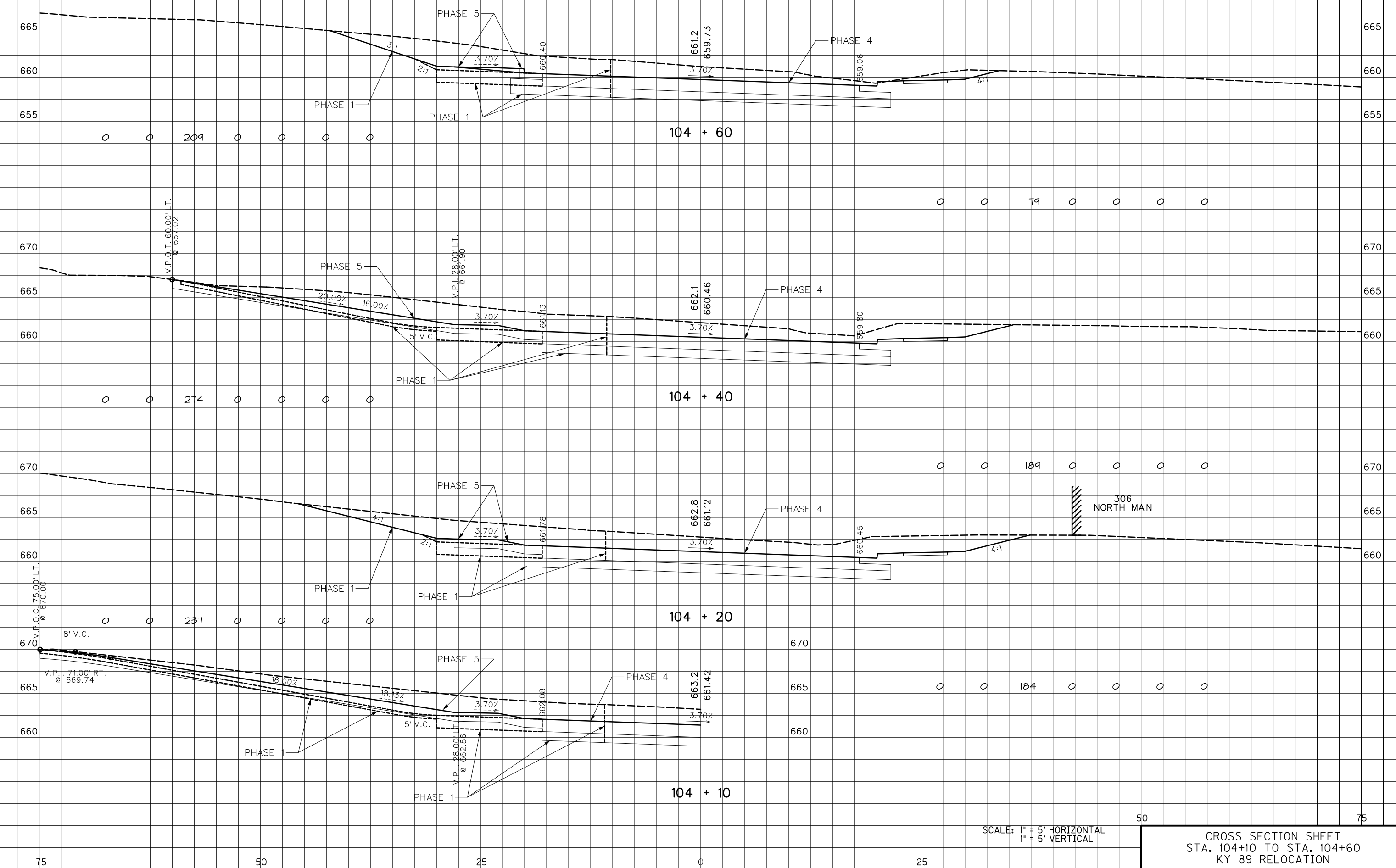
END AREAS, SQ. FT.

VOLUMES, CU. YD.

COUNTY OF	ITEM NO.	SHEET NO.
ESTILL	10-363.10	X114

SURF. DT. LT. ROCK COM EMB REFILL SURF. DT. RT. EMB BENCH

SURF. DT. LT. ROCK COM EMB REFILL SURF. DT. RT. EMB BENCH



SCALE: 1" = 5' HORIZONTAL
1" = 5' VERTICAL

CROSS SECTION SHEET
STA. 104+10 TO STA. 104+60
KY 89 RELOCATION

MicroStation v8.11.7.443 E-SHEET NAME: X11400XS USER: js1ugantz DATE PLOTTED: December 2, 2012 FILE NAME: T:\2498 PHASE2\SOOUTHEND\SHEETS\XSECTS\X11400XS.DGN

END AREAS, SQ. FT.

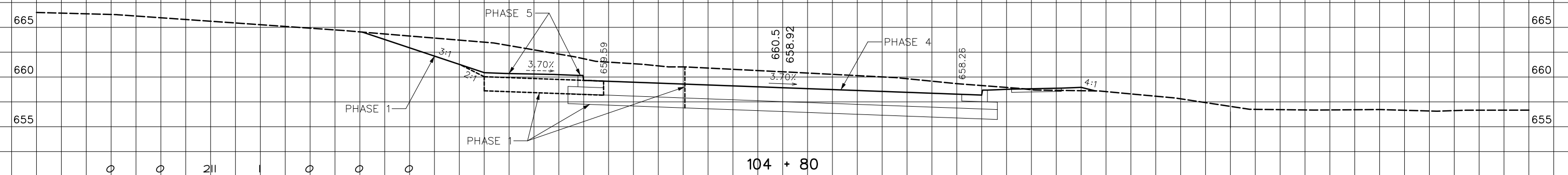
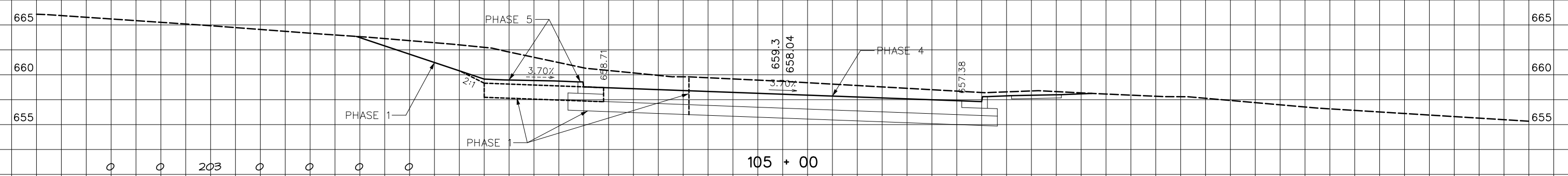
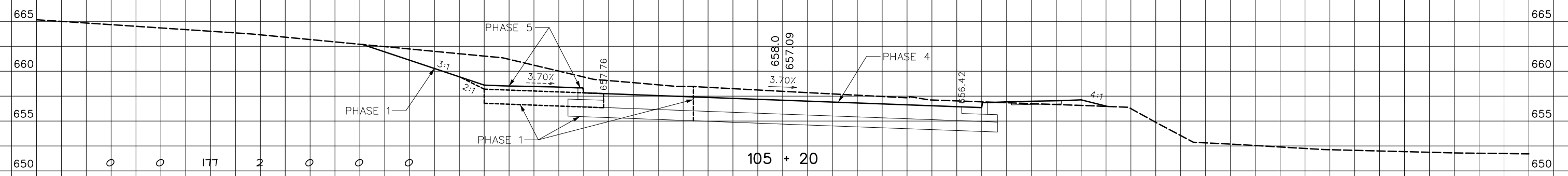
VOLUMES, CU. YD.

COUNTY OF	ITEM NO.	SHEET NO.
ESTILL	10-363.10	X115

SURF. DT. LT. ROCK COM EMB REFILL SURF. DT. RT. EMB BENCH

SURF. DT. LT. ROCK COM EMB REFILL SURF. DT. RT. EMB BENCH

STA. 105+20.44 - END FULL SUPER



75 50 25 0 25 50 75

SCALE: 1" = 5' HORIZONTAL
1" = 5' VERTICAL

CROSS SECTION SHEET
STA. 104+80 TO STA. 105+20
KY 89 RELOCATION

MicroStation v8.11.7.443
 E-SHEET NAME: X11500XS
 USER: jsilgantz
 DATE PLOTTED: December 2, 2012
 FILE NAME: T:\2498 PHASE2\SO\THEND\SHEETS\XSECTS\X11500XS.DGN

END AREAS, SQ. FT.

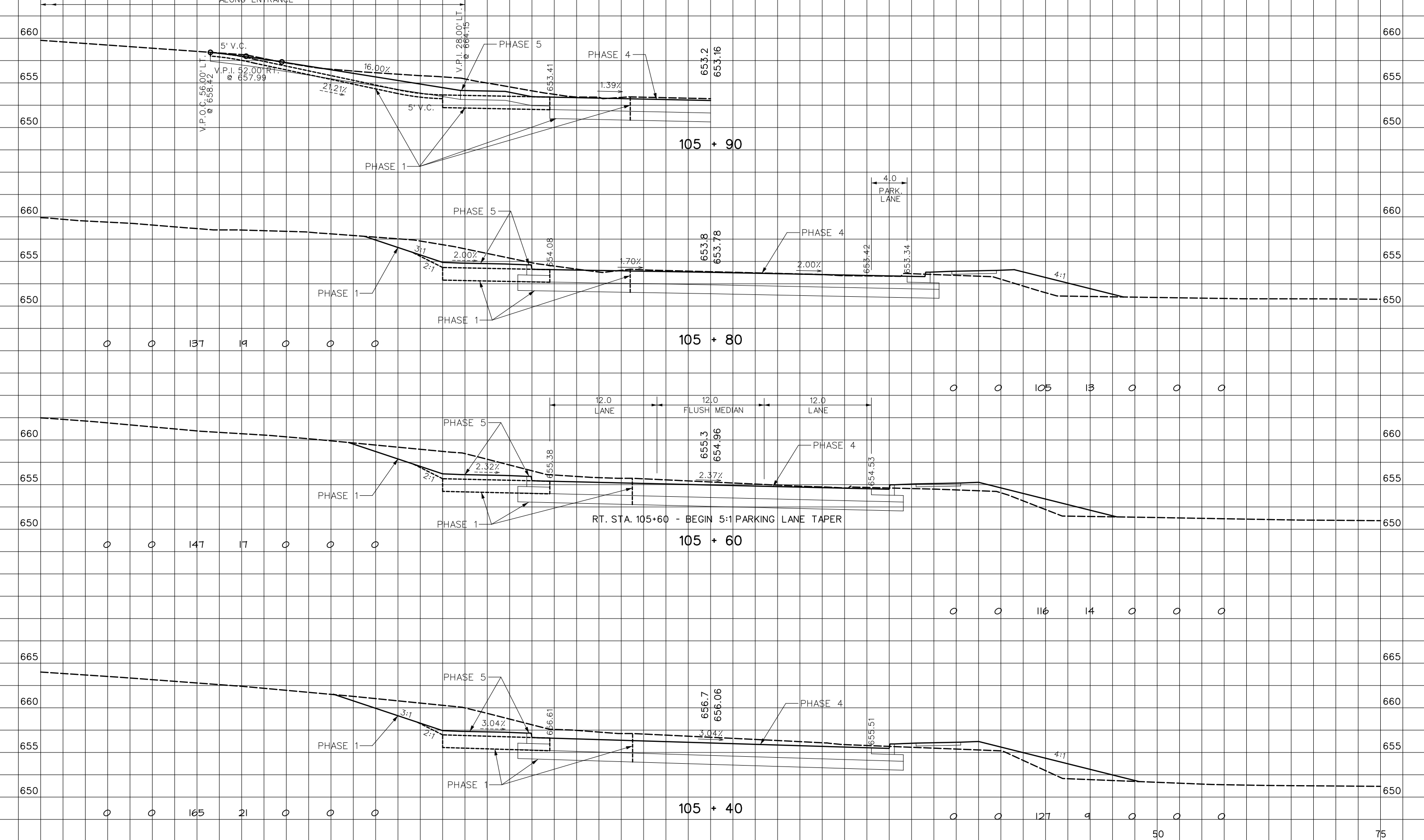
VOLUMES, CU. YD.

COUNTY OF	ITEM NO.	SHEET NO.
ESTILL	10-363.10	X116

SURF. DT. LT. ROCK COM EMB REFILL SURF. DT. RT. EMB BENCH

SURF. DT. LT. ROCK COM EMB REFILL SURF. DT. RT. EMB BENCH

ALONG ENTRANCE



SCALE: 1" = 5' HORIZONTAL
1" = 5' VERTICAL

CROSS SECTION SHEET
STA. 105+40 TO STA. 105+90
KY 89 RELOCATION

FILE NAME: T:\2498 PHASE2\SOUTHEND\SHEETS\XSECTS\X89XS.DGN

USER: JSJugantz
DATE PLOTTED: December 2, 2012

E-SHEET NAME: X11600XS

MicroStation v8.11.7.443

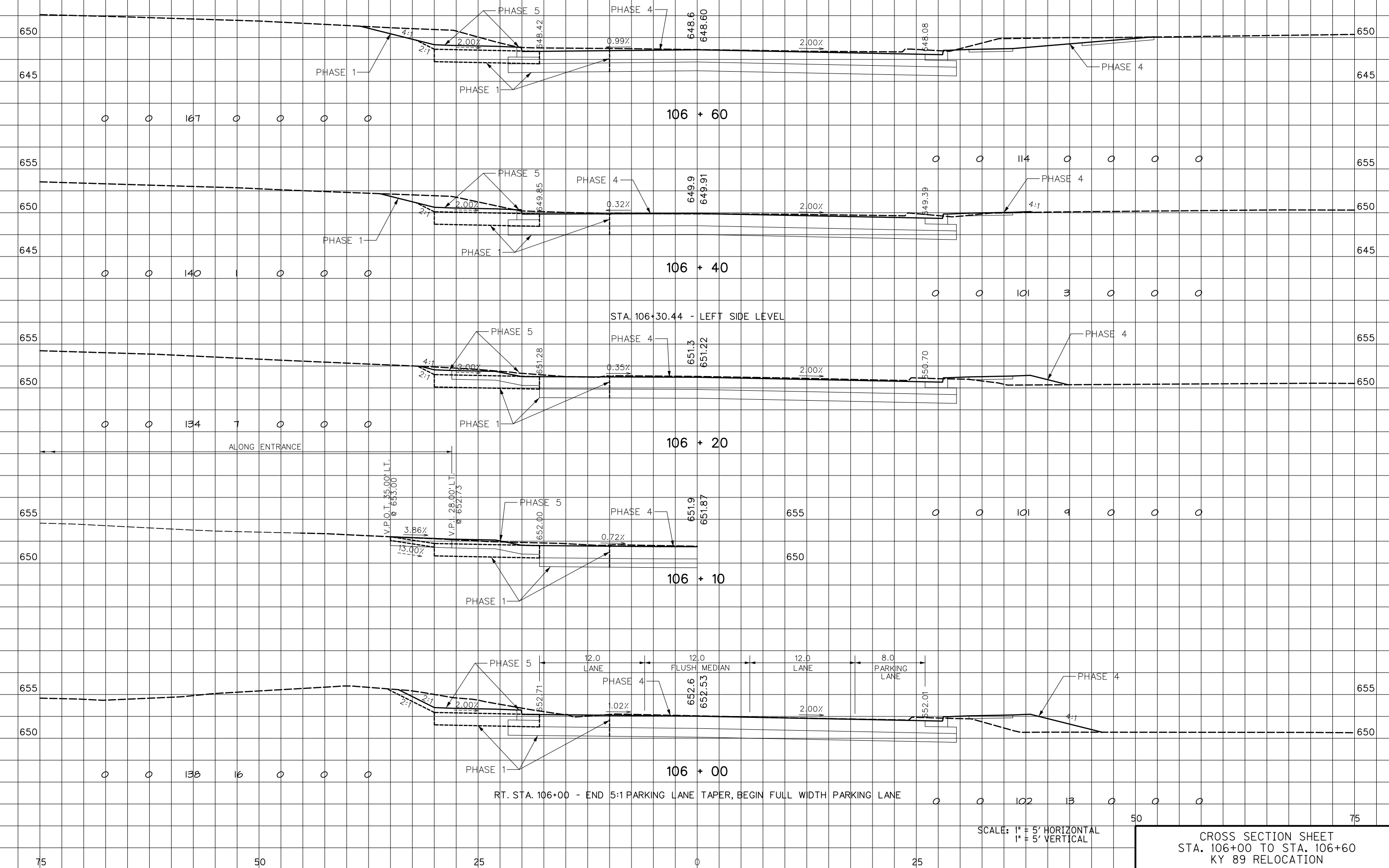
END AREAS, SQ. FT.

VOLUMES, CU. YD.

COUNTY OF	ITEM NO.	SHEET NO.
ESTILL	10-363.10	X117

SURF. DT. LT. ROCK COM EMB REFILL SURF. DT. RT. EMB BENCH

SURF. DT. LT. ROCK COM EMB REFILL SURF. DT. RT. EMB BENCH



MicroStation v8.11.7.443
 E-SHEET NAME: X11700XS
 USER: jsilganitz
 DATE PLOTTED: December 2, 2012
 FILE NAME: T:\2498 PHASE2\SOUTHEND\SHEETS\XSECTS\X11700XS.DGN

SCALE: 1" = 5' HORIZONTAL
 1" = 5' VERTICAL

CROSS SECTION SHEET
 STA. 106+00 TO STA. 106+60
 KY 89 RELOCATION

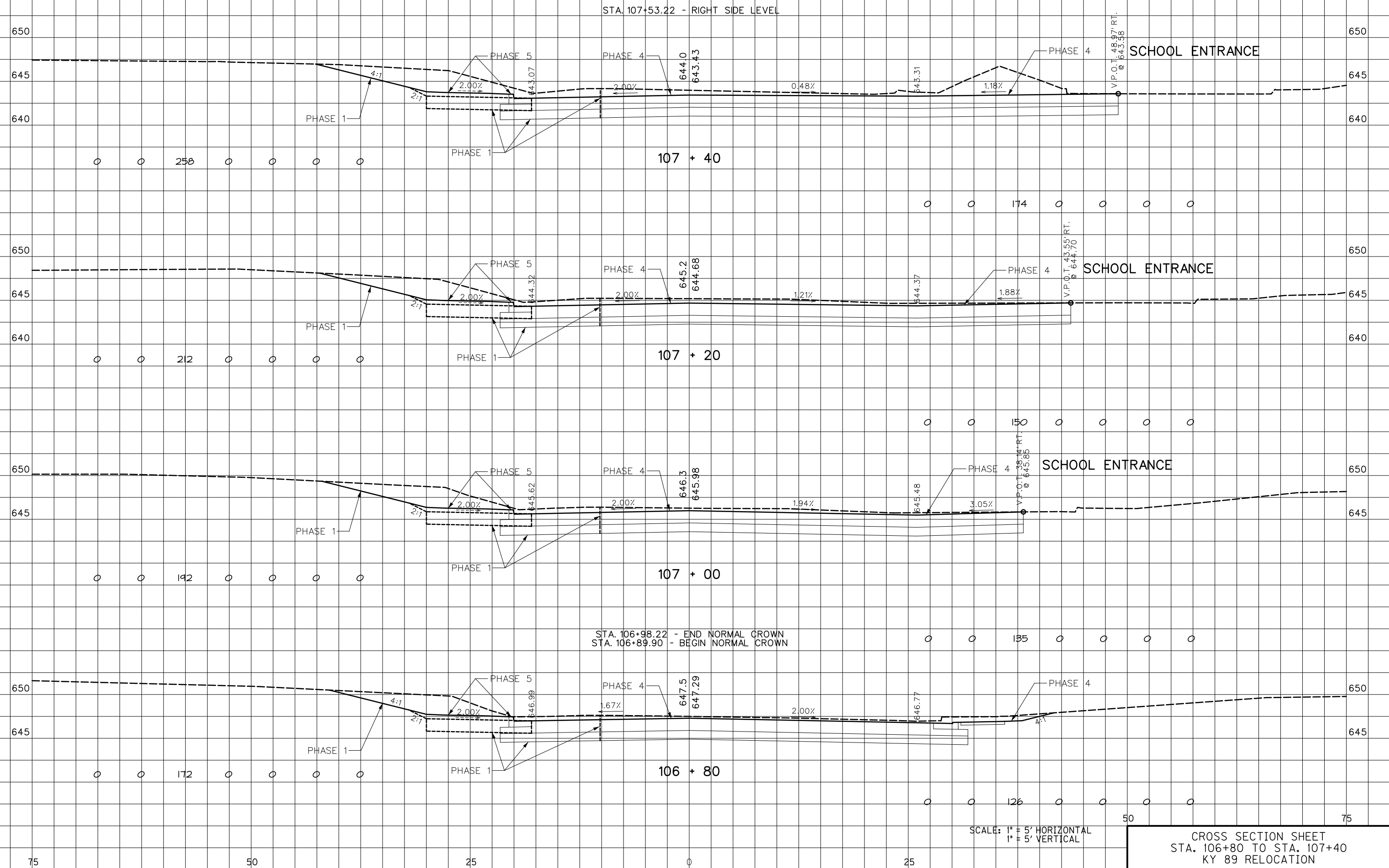
END AREAS, SQ. FT.

VOLUMES, CU. YD.

COUNTY OF	ITEM NO.	SHEET NO.
ESTILL	10-363.10	X118

SURF. DT. LT.	ROCK	COM	EMB	REFILL	SURF. DT. RT.	EMB BENCH
---------------	------	-----	-----	--------	---------------	-----------

SURF. DT. LT.	ROCK	COM	EMB	REFILL	SURF. DT. RT.	EMB BENCH
---------------	------	-----	-----	--------	---------------	-----------



STA. 106+98.22 - END NORMAL CROWN
 STA. 106+89.90 - BEGIN NORMAL CROWN

SCALE: 1" = 5' HORIZONTAL
 1" = 5' VERTICAL

CROSS SECTION SHEET
 STA. 106+80 TO STA. 107+40
 KY 89 RELOCATION

MicroStation v8.11.7.443
 E-SHEET NAME: X118BOOKS
 USER: jsilvgnatz
 DATE PLOTTED: December 2, 2012
 FILE NAME: T:\2498 PHASE2\SOUTHEND\SHEETS\XSECTS\X189XS.DGN

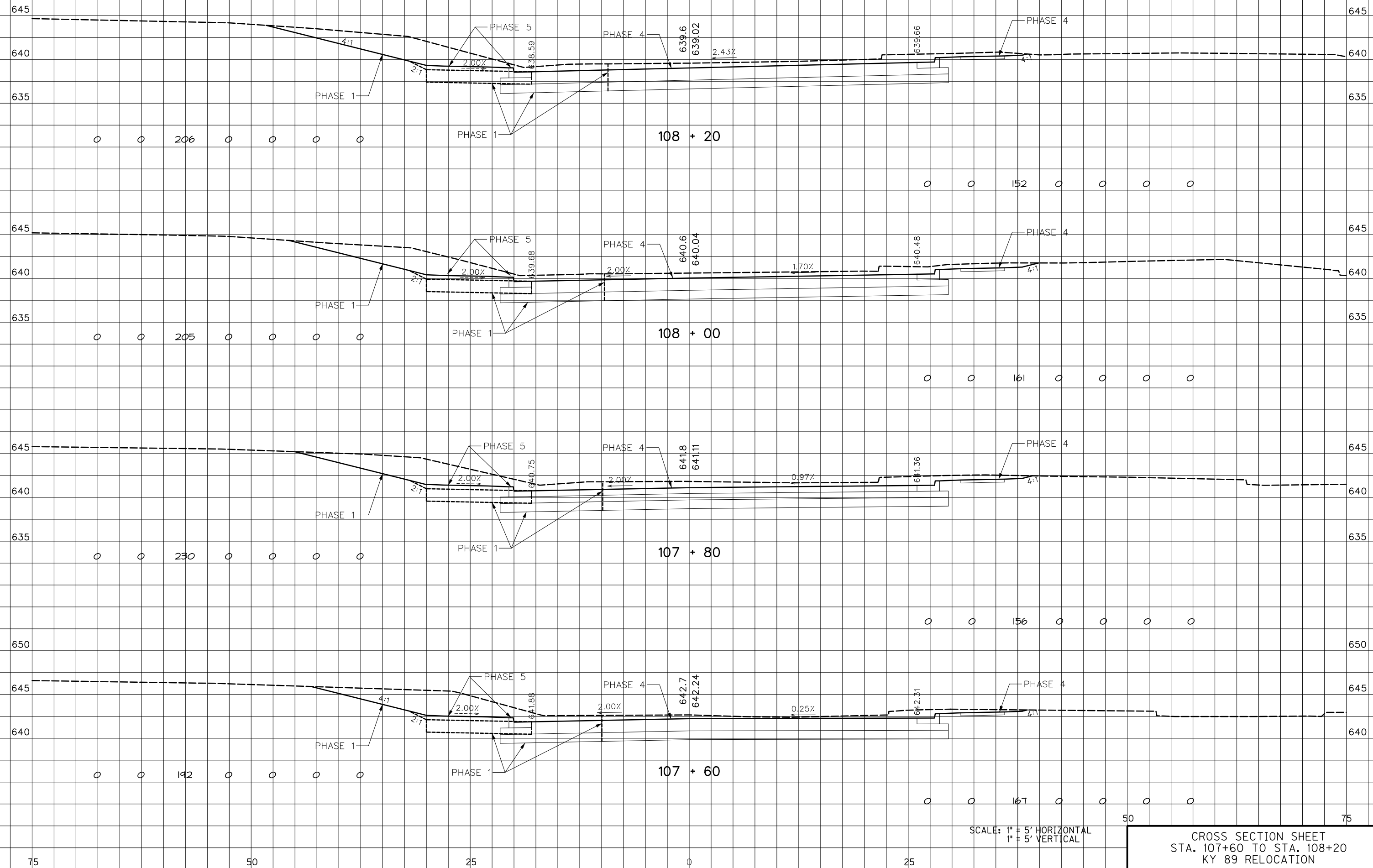
END AREAS, SQ. FT.

VOLUMES, CU. YD.

COUNTY OF	ITEM NO.	SHEET NO.
ESTILL	10-363.10	X119

SURF. DT. LT. ROCK COM EMB REFILL SURF. DT. RT. EMB BENCH

SURF. DT. LT. ROCK COM EMB REFILL SURF. DT. RT. EMB BENCH



SCALE: 1" = 5' HORIZONTAL
1" = 5' VERTICAL

CROSS SECTION SHEET
STA. 107+60 TO STA. 108+20
KY 89 RELOCATION

FILE NAME: T:\2498 PHASE2\SOUTHEND\SHEETS\XSECTS\X189XS.DGN

USER: jsjugantz
DATE PLOTTED: December 2, 2012

E-SHEET NAME: X11900XS

MicroStation v8.11.7.443

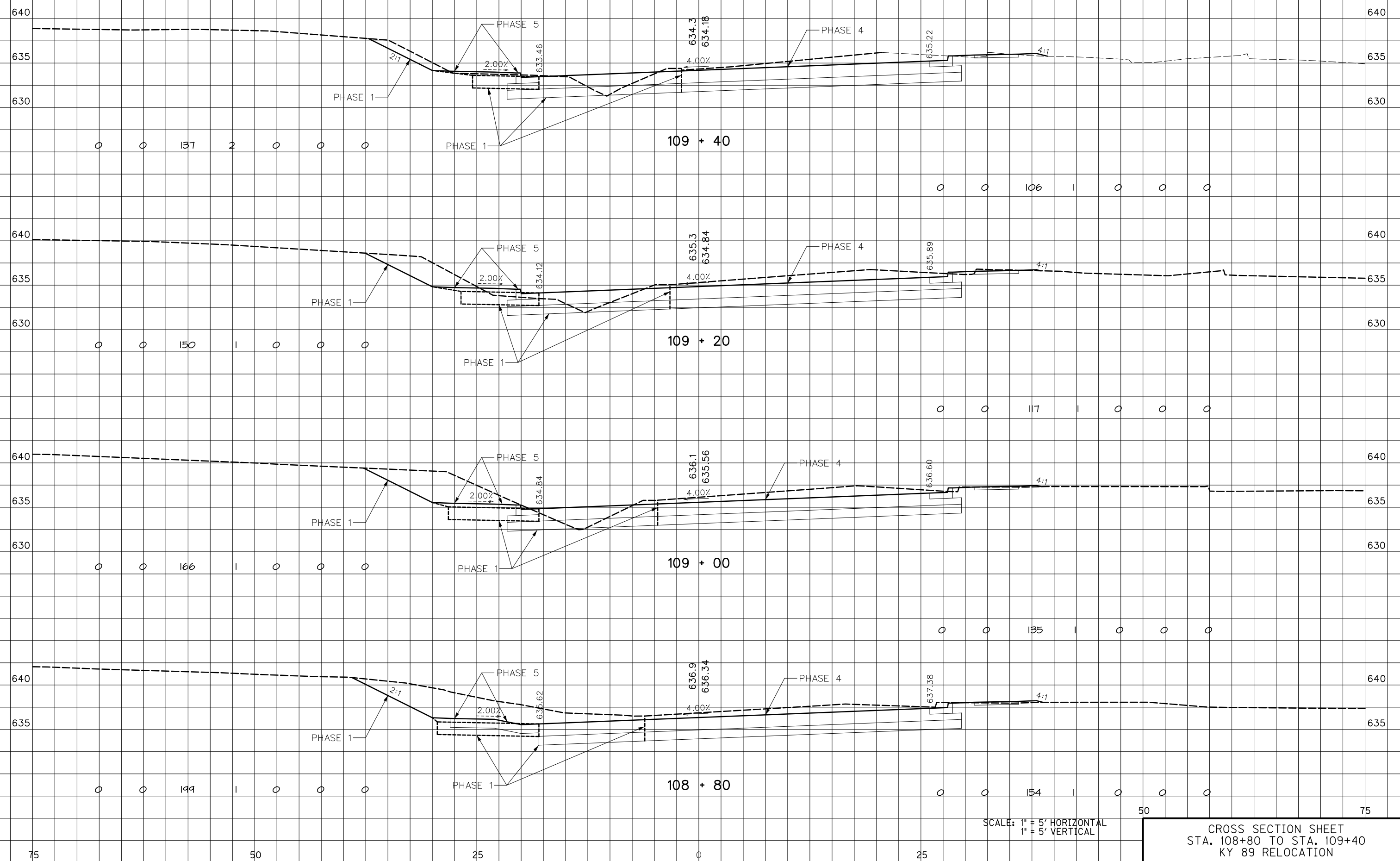
END AREAS, SQ. FT.

VOLUMES, CU. YD.

COUNTY OF	ITEM NO.	SHEET NO.
ESTILL	10-363.10	X121

SURF. DT. LT. ROCK COM EMB REFILL SURF. DT. RT. EMB BENCH

SURF. DT. LT. ROCK COM EMB REFILL SURF. DT. RT. EMB BENCH



SCALE: 1" = 5' HORIZONTAL
1" = 5' VERTICAL

CROSS SECTION SHEET
STA. 108+80 TO STA. 109+40
KY 89 RELOCATION

MicroStation v8.11.7.443
E-SHEET NAME: X12100XS
USER: jsilgantz
DATE PLOTTED: December 2, 2012
FILE NAME: T:\2498 PHASE2\SOUTHEND\SHEETS\XSECTS\X189XS.DGN

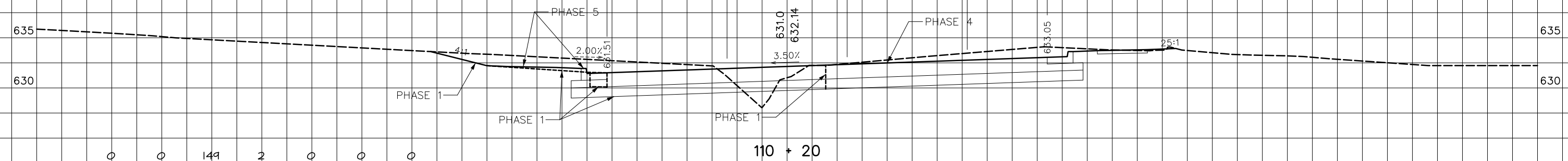
END AREAS, SQ. FT.

VOLUMES, CU. YD.

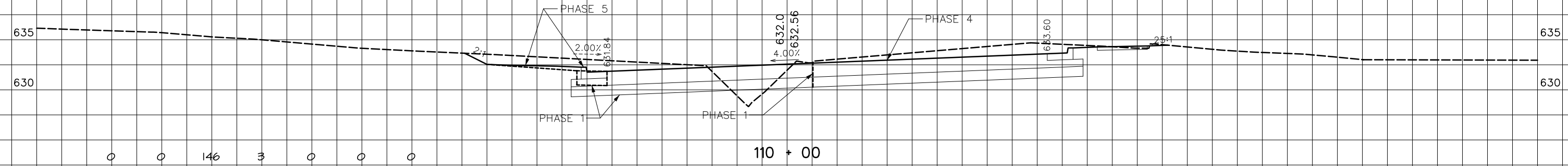
COUNTY OF	ITEM NO.	SHEET NO.
ESTILL	10-363.10	X122

SURF. DT. LT. ROCK COM EMB REFILL SURF. DT. RT. EMB BENCH

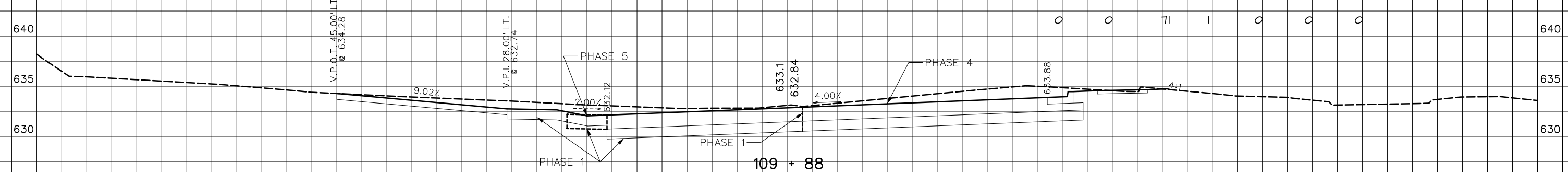
12.0 LANE 12.0 FLUSH MEDIAN 12.0 LANE 8.0 PARKING LANE SURF. DT. LT. ROCK COM EMB REFILL SURF. DT. RT. EMB BENCH



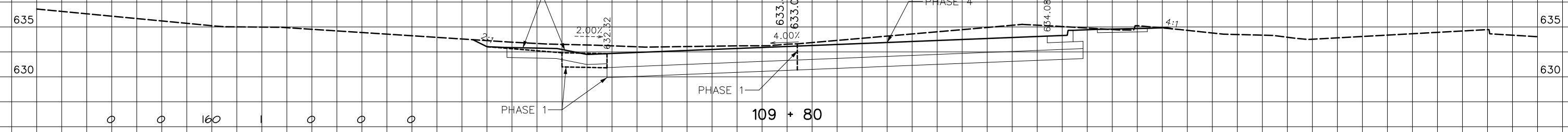
0 0 144 2 0 0 0
 110 + 20
 RT. STA. 110+20 - END FULL WIDTH PARKING LANE, BEGIN 5:1 PARKING LANE TAPER
 STA. 110+06.28 - END FULL SUPER
 0 0 109 2 0 0 0



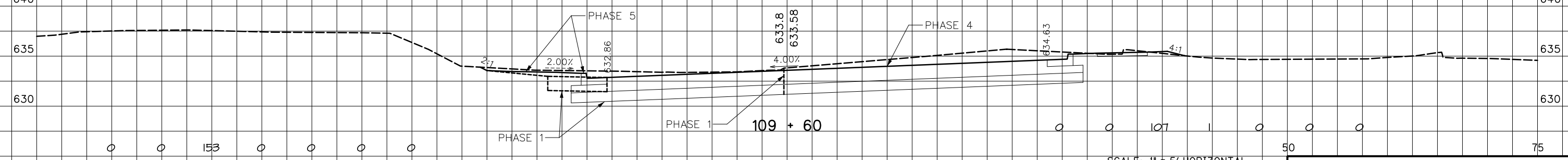
0 0 146 3 0 0 0
 110 + 00



0 0 175 1 0 0 0
 109 + 88
 0 0 71 1 0 0 0



0 0 160 1 0 0 0
 109 + 80



0 0 153 0 0 0 0
 109 + 60
 0 0 107 1 0 0 0

SCALE: 1" = 5' HORIZONTAL
 1" = 5' VERTICAL

CROSS SECTION SHEET
 STA. 109+60 TO STA. 110+20
 KY 89 RELOCATION

MicroStation v8.11.7.443 E-SHEET NAME: X12200XS USER: jsilgantz DATE PLOTTED: December 2, 2012 FILE NAME: T:\2498\PHASE2\SOUTHEND\SHEETS\XSECTS\X89XS.DGN

END AREAS, SQ. FT.

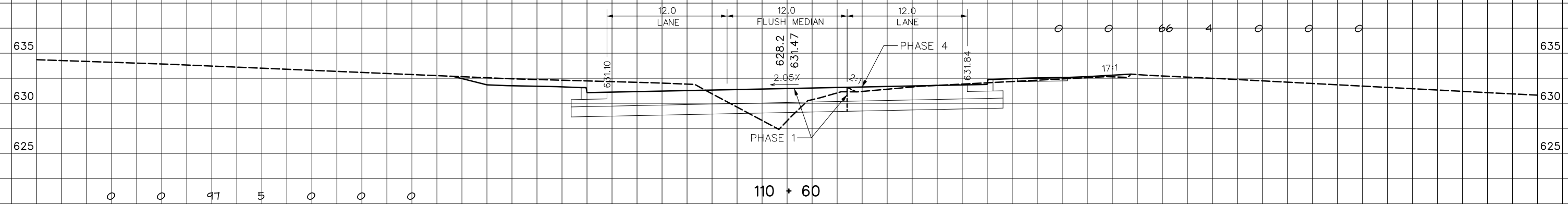
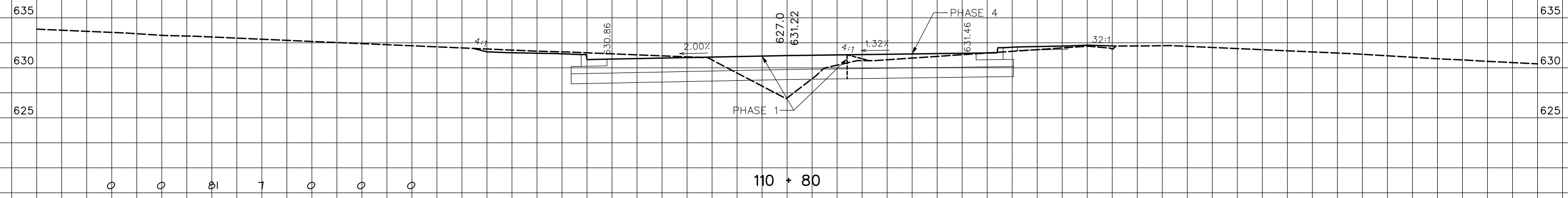
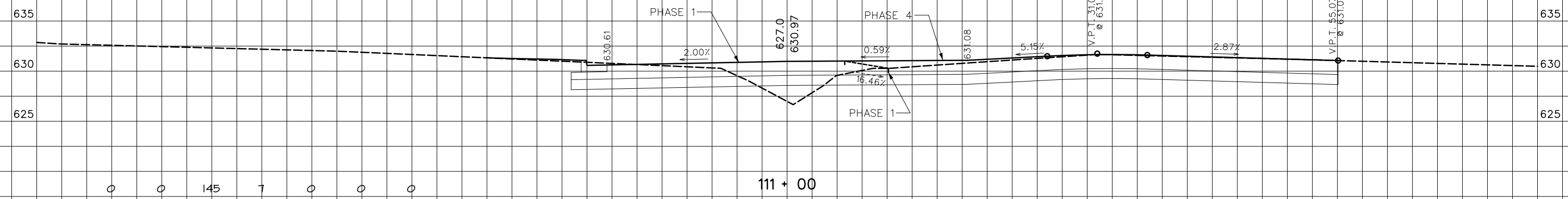
VOLUMES, CU. YD.

COUNTY OF	ITEM NO.	SHEET NO.
ESTILL	10-363.10	X123

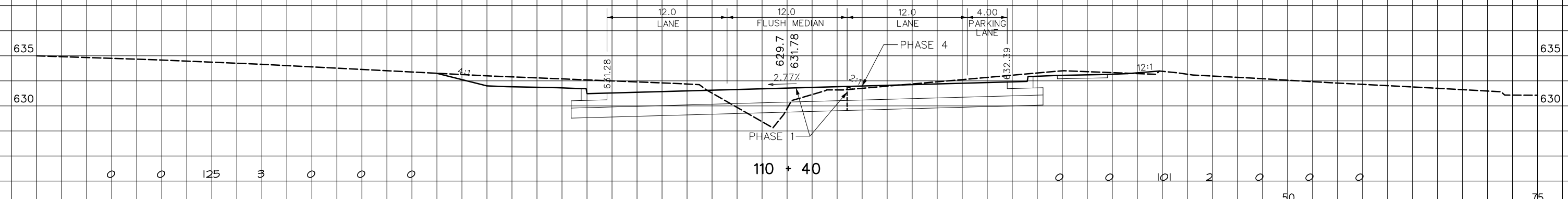
SURF. DT. LT. ROCK COM EMB REFILL SURF. DT. RT. EMB BENCH

SURF. DT. LT. ROCK COM EMB REFILL SURF. DT. RT. EMB BENCH

STA. 111+16.28 - RIGHT SIDE LEVEL



RT. STA. 110+60 - END 5:1 PARKING LANE TAPER, BEGIN NORMAL SECTION



SCALE: 1" = 5' HORIZONTAL
1" = 5' VERTICAL

CROSS SECTION SHEET
STA. 110+40 TO STA. 111+00
KY 89 RELOCATION

FILE NAME: T:\2498 PHASE2\SOUTHEND\SHEETS\XSECTS\X189XS.DGN
 USER: jsugantz
 DATE PLOTTED: December 2, 2012
 E-SHEET NAME: X12300XS
 MicroStation v8.11.7.443

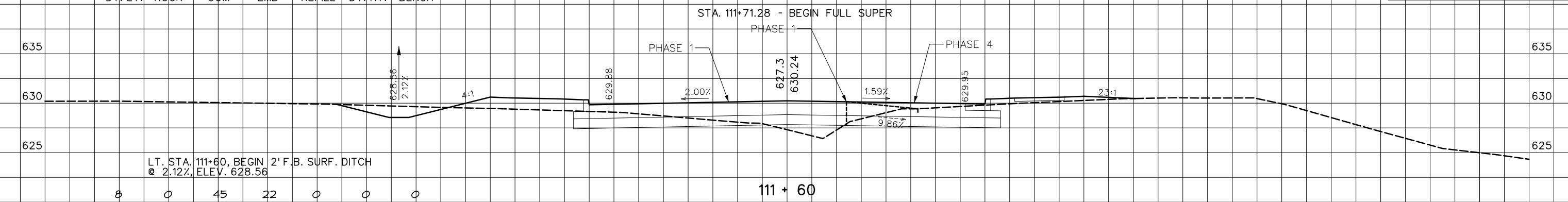
END AREAS, SQ. FT.

VOLUMES, CU. YD.

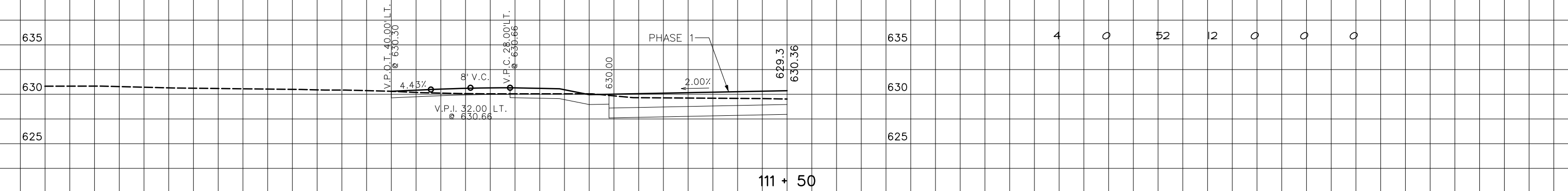
COUNTY OF	ITEM NO.	SHEET NO.
ESTILL	10-363.10	X124

SURF. DT. LT.	ROCK	COM	EMB	REFILL	SURF. DT. RT.	EMB BENCH
0	0	45	22	0	0	0

SURF. DT. LT.	ROCK	COM	EMB	REFILL	SURF. DT. RT.	EMB BENCH
4	0	52	12	0	0	0



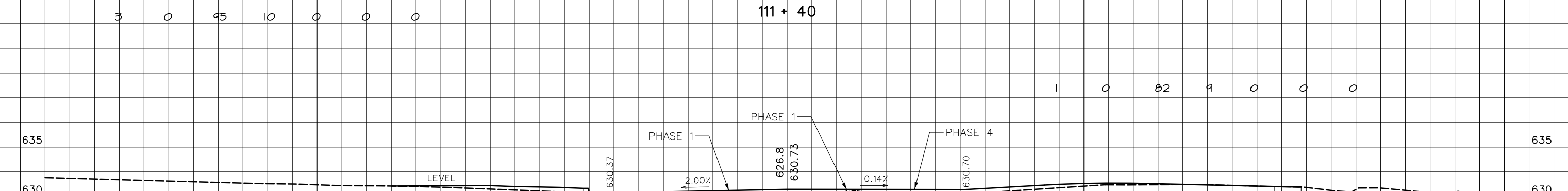
111 + 60



111 + 50



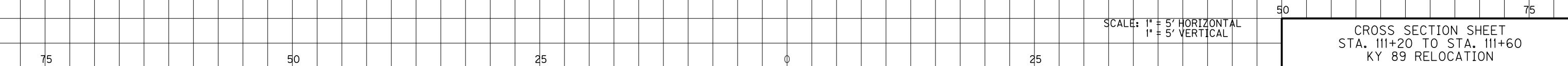
111 + 40



111 + 20

SURF. DT. LT.	ROCK	COM	EMB	REFILL	SURF. DT. RT.	EMB BENCH
0	0	127	13	0	0	0

SURF. DT. LT.	ROCK	COM	EMB	REFILL	SURF. DT. RT.	EMB BENCH
0	0	101	7	0	0	0



111 + 0

SCALE: 1" = 5' HORIZONTAL
1" = 5' VERTICAL

CROSS SECTION SHEET
STA. 111+20 TO STA. 111+60
KY 89 RELOCATION

MicroStation v8.11.7.443
 E-SHEET NAME: X12400XS
 USER: jsilgantz
 DATE PLOTTED: December 2, 2012
 FILE NAME: T:\2498 PHASE2\SOUTHEND\SHEETS\XSECTS\X12400XS.DGN

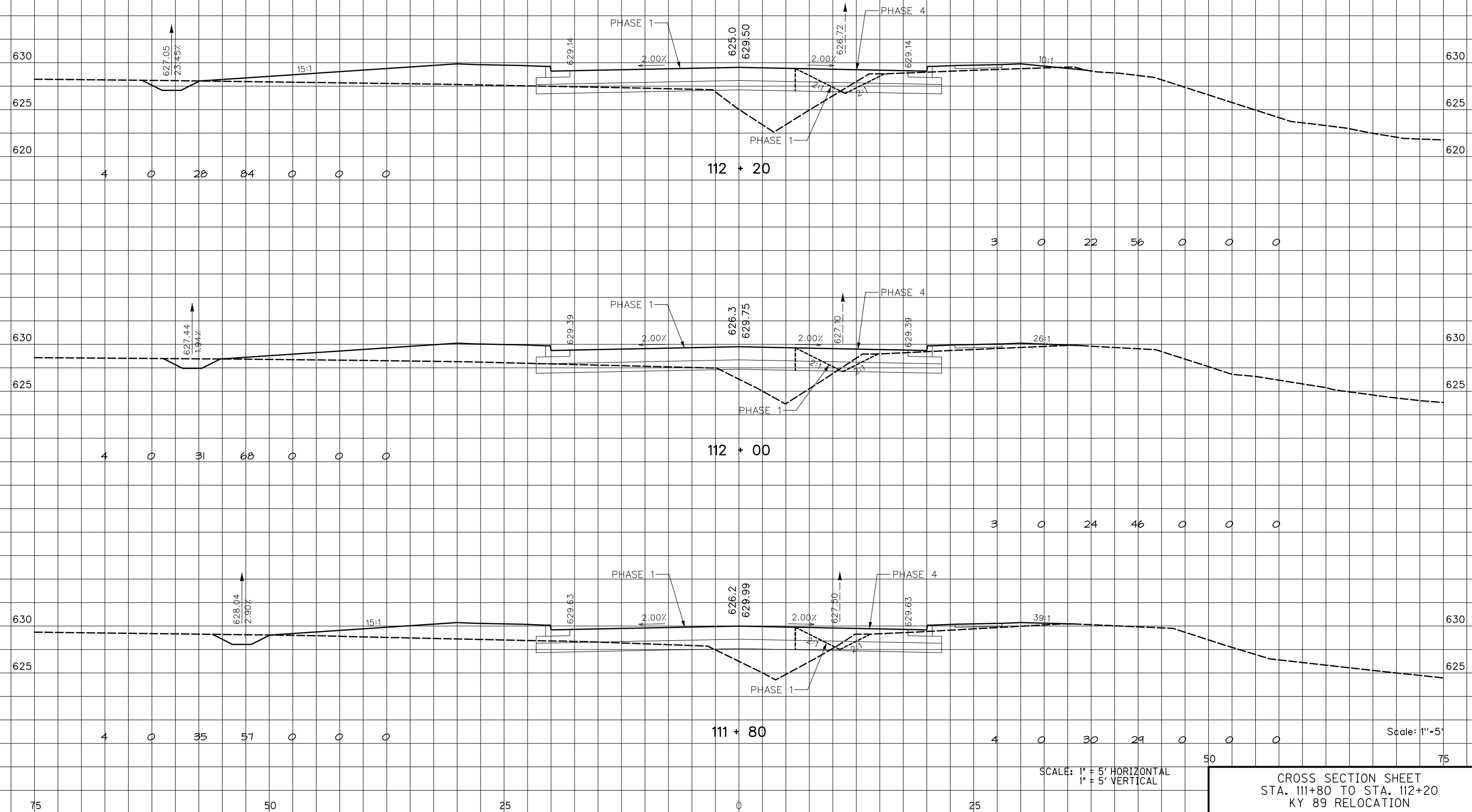
END AREAS, SQ. FT.

VOLUMES, CU. YD.

COUNTY OF	ITEM NO.	SHEET NO.
ESTILL	10-363.10	X125

SURF. DT. LT.	ROCK	COM	EMB	REFILL	SURF. DT. RT.	EMB BENCH
---------------	------	-----	-----	--------	---------------	-----------

SURF. DT. LT.	ROCK	COM	EMB	REFILL	SURF. DT. RT.	EMB BENCH
---------------	------	-----	-----	--------	---------------	-----------



SCALE: 1" = 5' HORIZONTAL
1" = 5' VERTICAL

CROSS SECTION SHEET
STA. 111+80 TO STA. 112+20
KY 89 RELOCATION

MicroStation v8.11.7.443
 E-SHEET NAME: X12500XS
 USER: jsilgantz
 DATE PLOTTED: December 2, 2012
 FILE NAME: T:\2498 PHASE2\SOUTHEND\SHEETS\XSECTS\X189XS.DGN

END AREAS, SQ. FT.

PROPOSED SINGLE SPAN BRIDGE

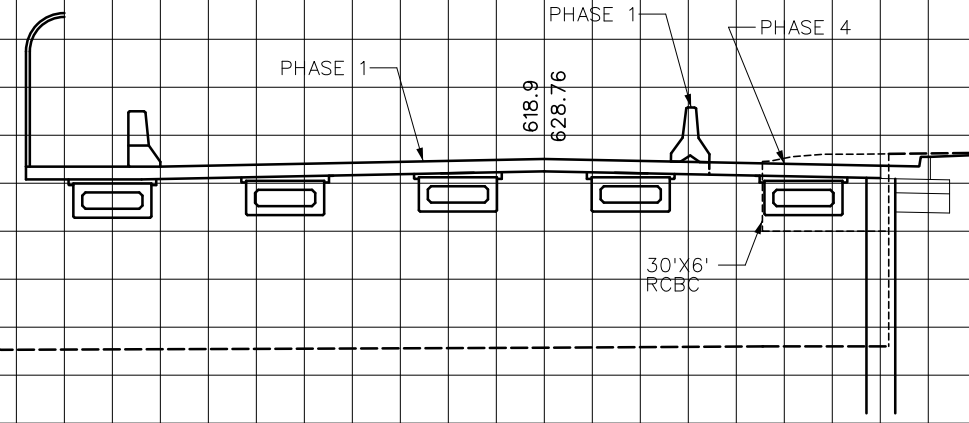
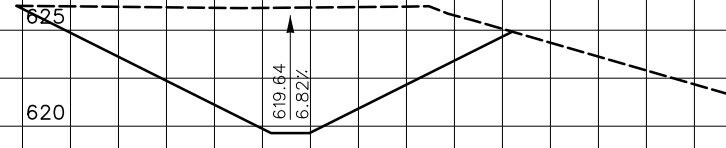
VOLUMES, CU. YD.

COUNTY OF	ITEM NO.	SHEET NO.
ESTILL	10-363.10	X126

SURF. DT. LT.	ROCK	COM	EMB	REFILL	SURF. DT. RT.	EMB BENCH
---------------	------	-----	-----	--------	---------------	-----------

SURF. DT. LT.	ROCK	COM	EMB	REFILL	SURF. DT. RT.	EMB BENCH
---------------	------	-----	-----	--------	---------------	-----------

LT. STA. 112+99.27, END 2' F.B. SURF. DITCH @ 6.82%, ELEV. 618.30

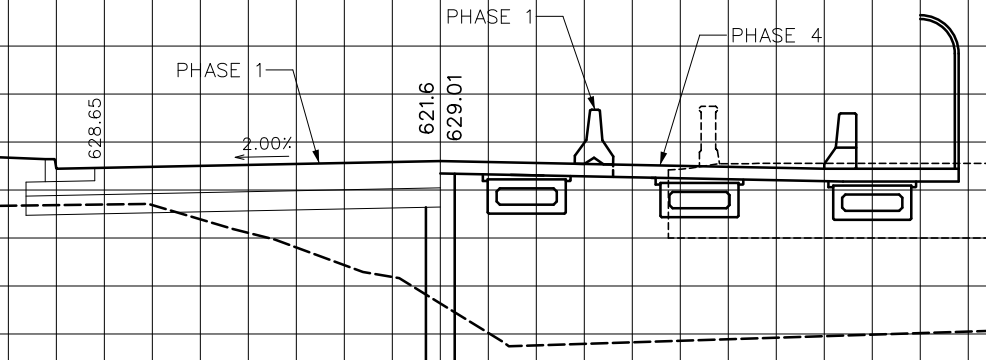
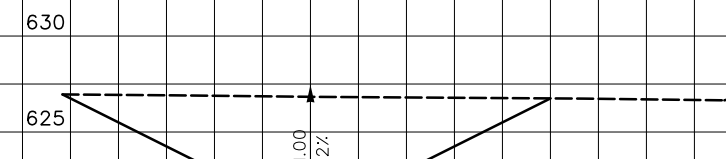


95 0 11 0 0 0 0

112 + 80

65 0 5 24 0 0 0

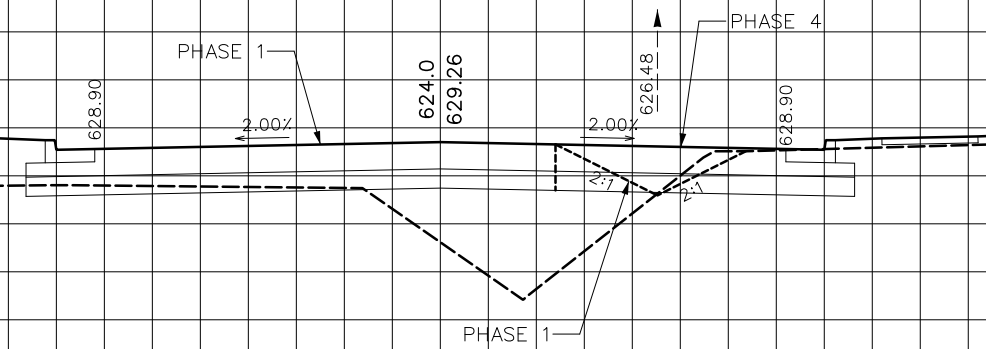
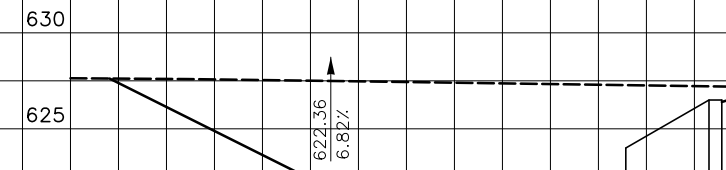
PROPOSED SINGLE SPAN BRIDGE



80 0 3 66 0 0 0

112 + 60

72 0 11 55 0 0 0



115 0 26 82 0 0 0

112 + 40

44 0 20 61 0 0 0

SCALE: 1" = 5' HORIZONTAL
1" = 5' VERTICAL

CROSS SECTION SHEET
STA. 112+40 TO STA. 112+80
KY 89 RELOCATION

MicroStation v8.11.7.443
 E-SHEET NAME: X12600XS
 USER: jsilgantz
 DATE PLOTTED: December 2, 2012
 FILE NAME: T:\2498 PHASE2\SO\THEND\SHEETS\XSECTS\X12600XS.DGN

75

50

25

0

25

50

75

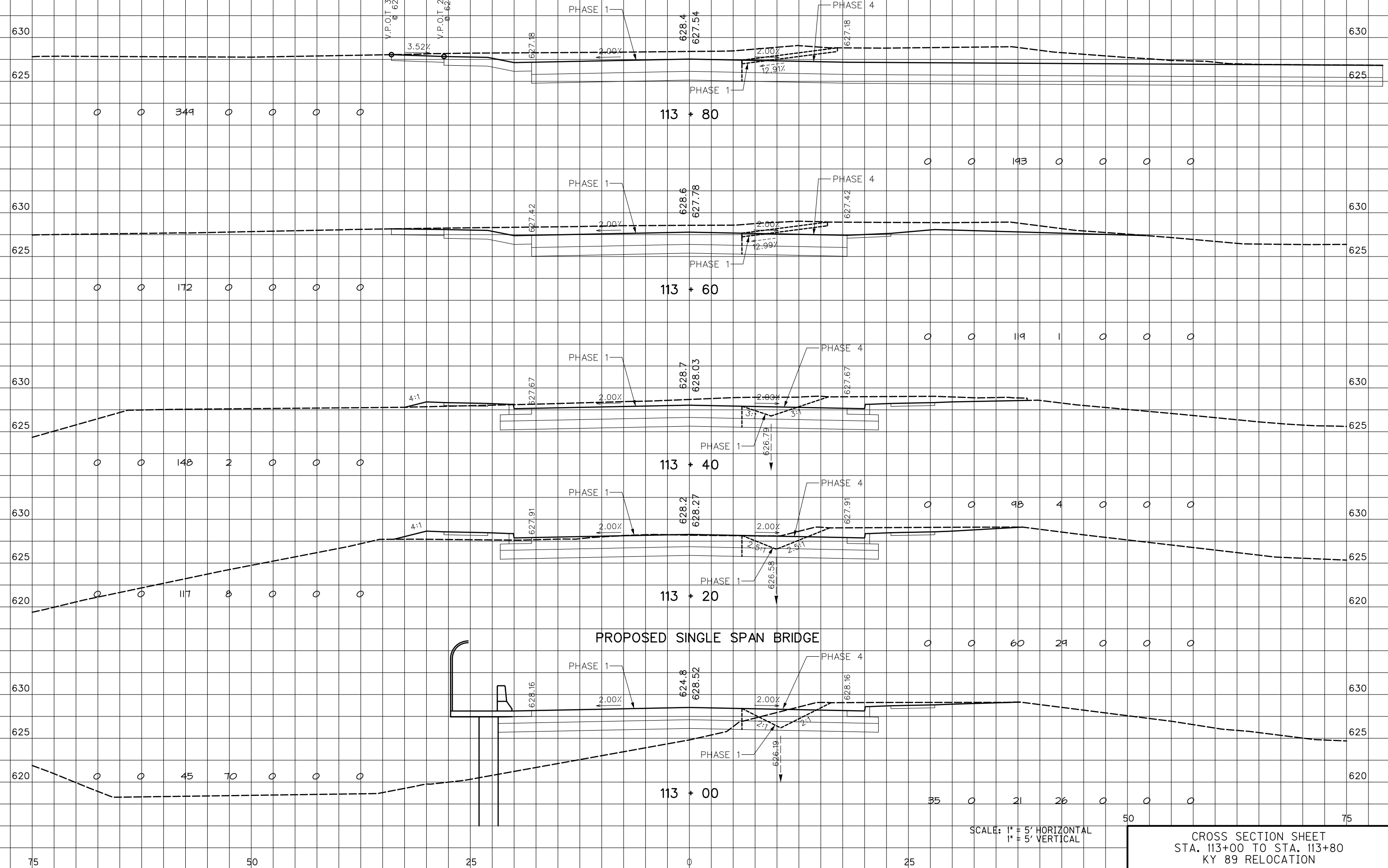
END AREAS, SQ. FT.

VOLUMES, CU. YD.

COUNTY OF	ITEM NO.	SHEET NO.
ESTILL	10-363.10	X127

SURF. DT. LT.	ROCK	COM	EMB	REFILL	SURF. DT. RT.	EMB BENCH
---------------	------	-----	-----	--------	---------------	-----------

SURF. DT. LT.	ROCK	COM	EMB	REFILL	SURF. DT. RT.	EMB BENCH
---------------	------	-----	-----	--------	---------------	-----------



MicroStation v8.11.7.443
 E-SHEET NAME: X12700XS
 USER: jsilganitz
 DATE PLOTTED: December 2, 2012
 FILE NAME: T:\2498 PHASE2\SO\THEND\SHEETS\XSECTS\X189XS.DGN

SCALE: 1" = 5' HORIZONTAL
1" = 5' VERTICAL

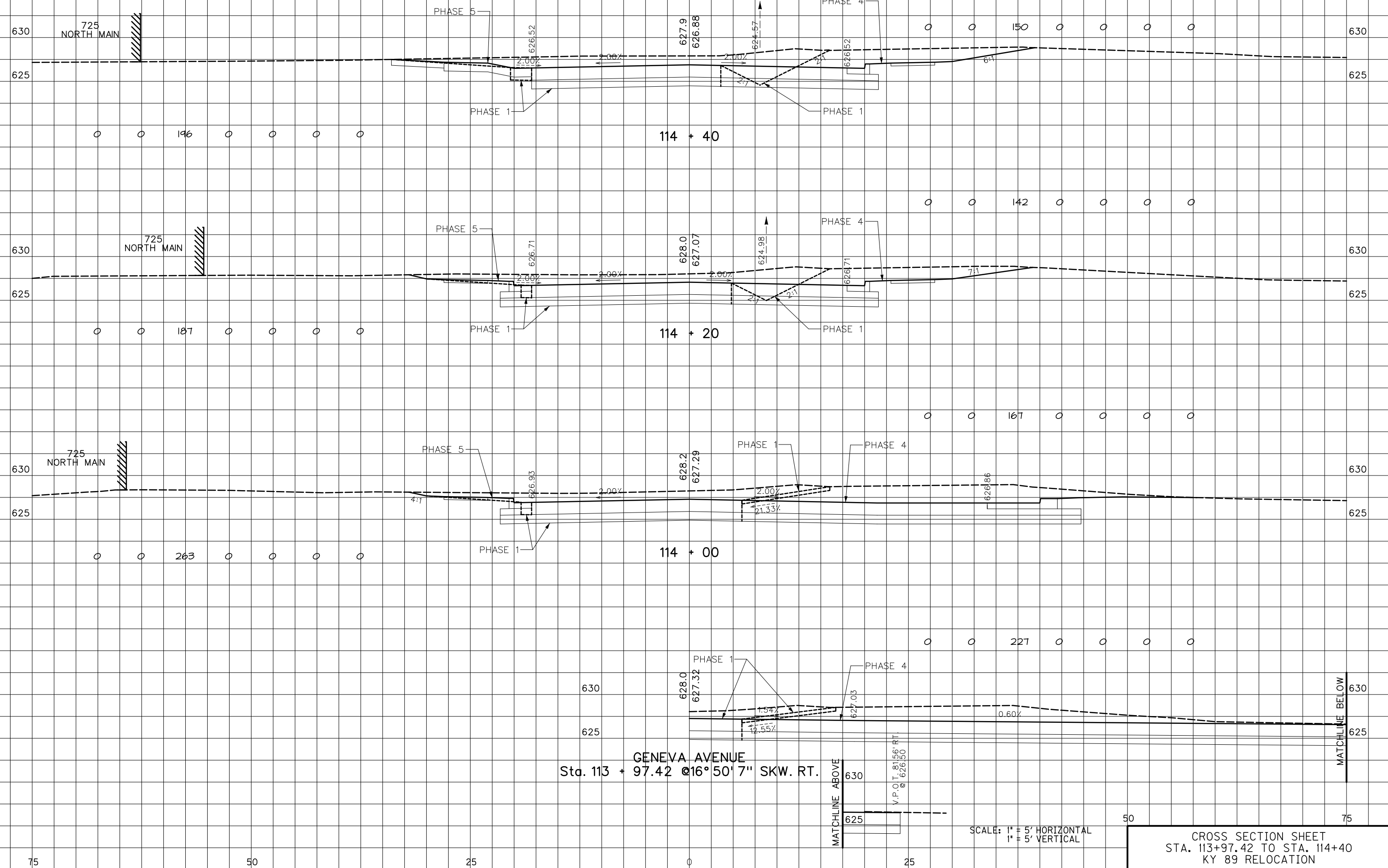
CROSS SECTION SHEET
STA. 113+00 TO STA. 113+80
KY 89 RELOCATION

END AREAS, SQ. FT.

VOLUMES, CU. YD.

SURF. DT. LT.	ROCK	COM	EMB	REFILL	SURF. DT. RT.	EMB BENCH
---------------	------	-----	-----	--------	---------------	-----------

SURF. DT. LT.	ROCK	COM	EMB	REFILL	SURF. DT. RT.	EMB BENCH
---------------	------	-----	-----	--------	---------------	-----------



MicroStation v8.11.7.443
 E-SHEET NAME: X12800XS
 USER: jsilganitz
 DATE PLOTTED: December 2, 2012
 FILE NAME: T:\2498\PHASE2\SOUTHEND\SHEETS\XSECTS\X12800XS.DGN

END AREAS, SQ. FT.

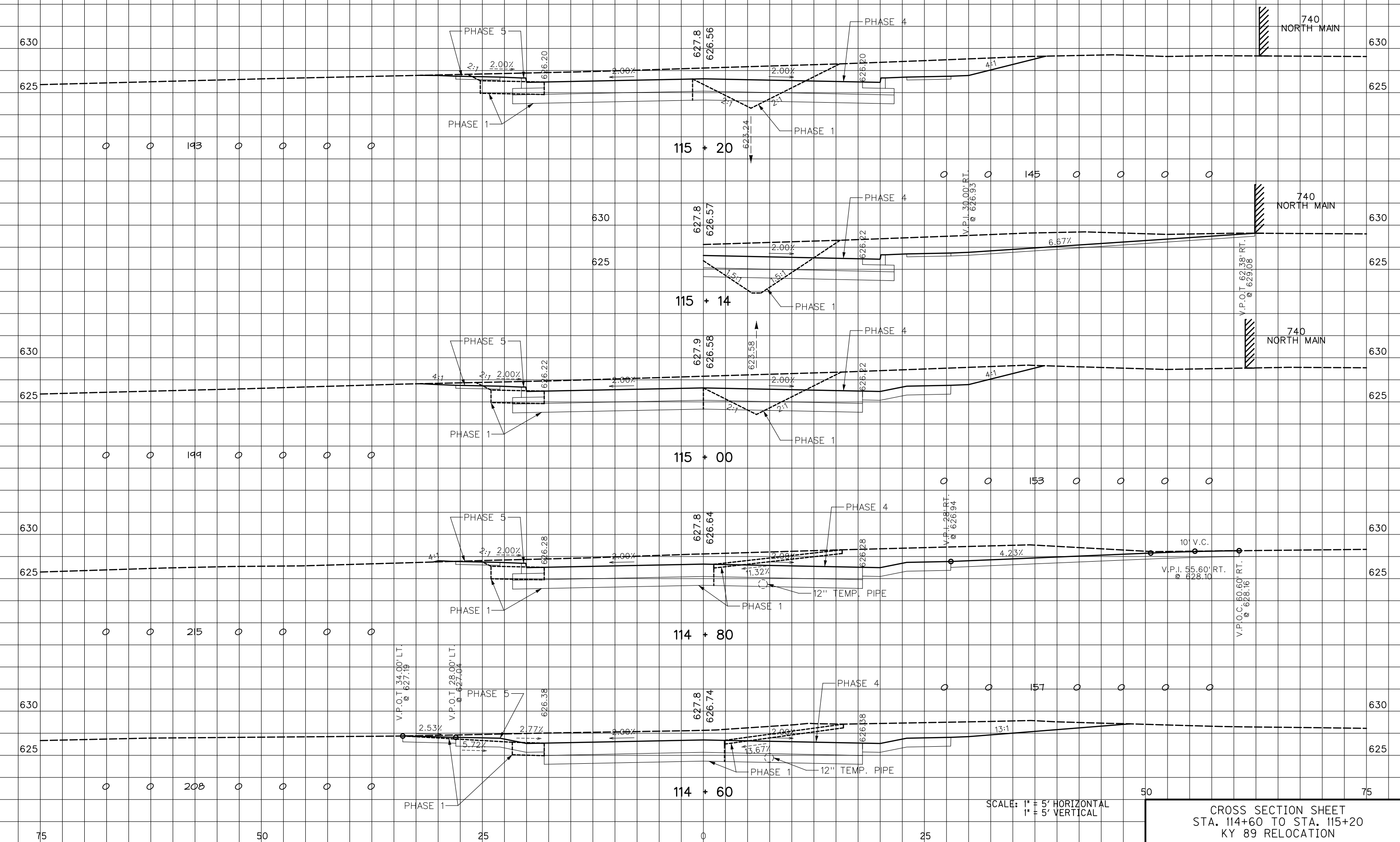
VOLUMES, CU. YD.

COUNTY OF	ITEM NO.	SHEET NO.
ESTILL	10-363.10	X129

SURF. DT. LT. ROCK COM EMB REFILL SURF. DT. RT. EMB BENCH

SURF. DT. LT. ROCK COM EMB REFILL SURF. DT. RT. EMB BENCH

STA. 115+22.15 - END NORMAL CROWN



SCALE: 1" = 5' HORIZONTAL
1" = 5' VERTICAL

CROSS SECTION SHEET
STA. 114+60 TO STA. 115+20
KY 89 RELOCATION

MicroStation v8.11.7.443
 E-SHEET NAME: X12900XS
 USER: jsilgantz
 DATE PLOTTED: December 2, 2012
 FILE NAME: T:\2498 PHASE2\SOUTHEND\SHEETS\XSECTS\X12900XS.DGN

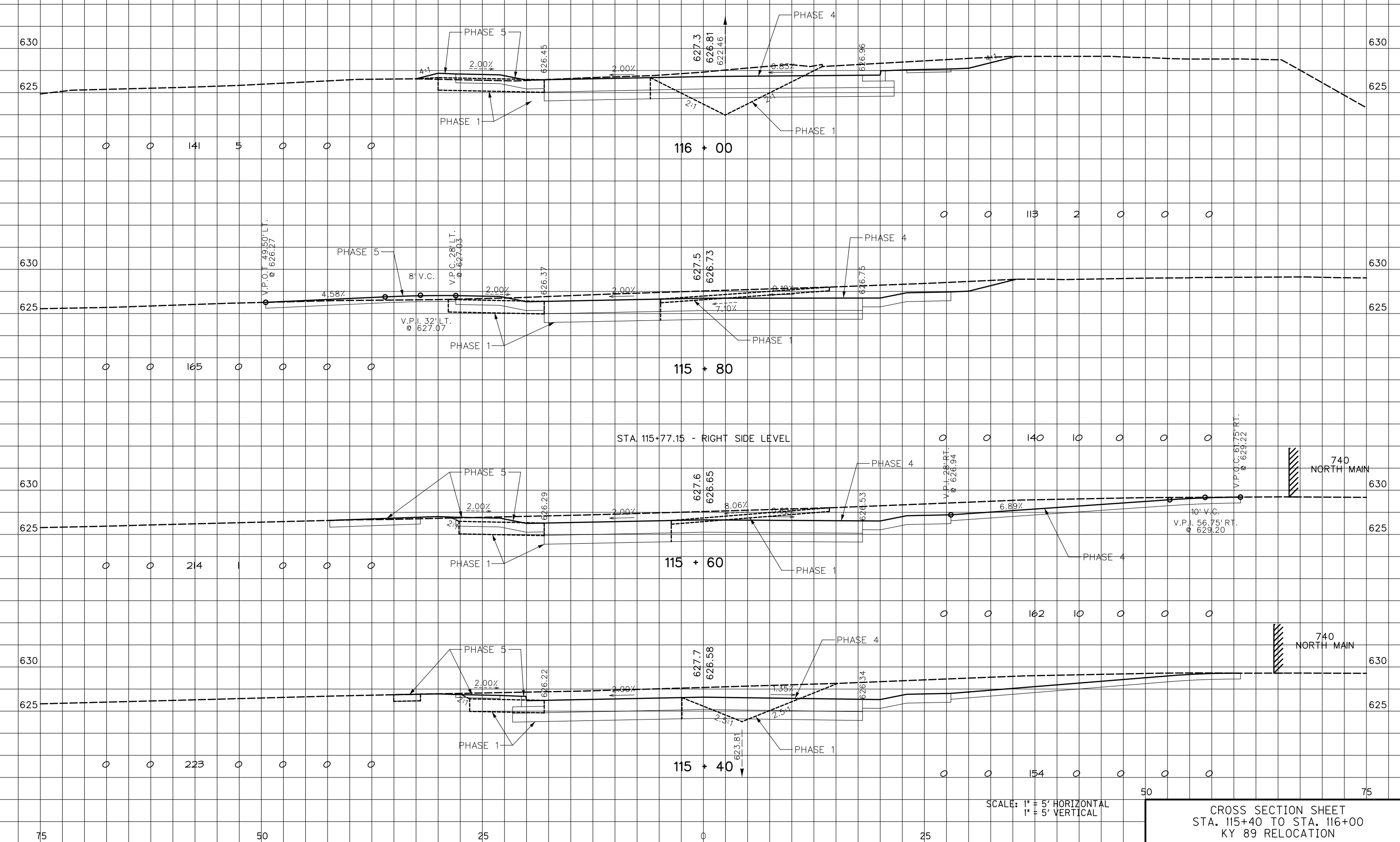
END AREAS, SQ. FT.

VOLUMES, CU. YD.

COUNTY OF	ITEM NO.	SHEET NO.
ESTILL	10-363.10	X130

SURF. DT. LT. ROCK COM EMB REFILL SURF. DT. RT. EMB BENCH

SURF. DT. LT. ROCK COM EMB REFILL SURF. DT. RT. EMB BENCH



SCALE: 1" = 5' HORIZONTAL
1" = 5' VERTICAL

CROSS SECTION SHEET
STA. 115+40 TO STA. 116+00
KY 89 RELOCATION

MicroStation v8.11.7.443
 E-SHEET NAME: X13000XS
 USER: jsilgantz
 DATE PLOTTED: December 2, 2012
 FILE NAME: T:\2498 PHASE2\SOUTHEND\SHEETS\XSECTS\X13000XS.DGN

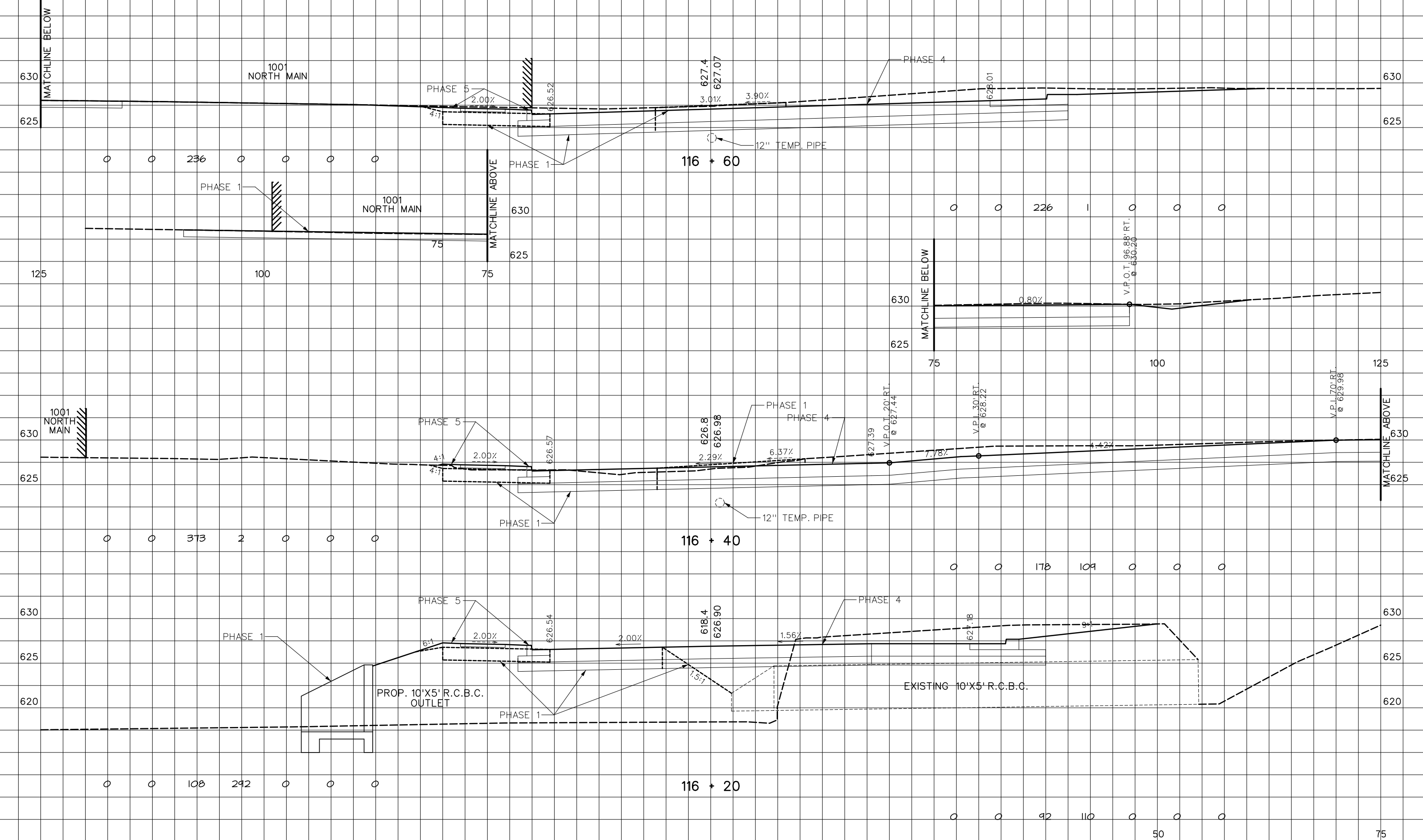
END AREAS, SQ. FT.

VOLUMES, CU. YD.

COUNTY OF	ITEM NO.	SHEET NO.
ESTILL	10-363.10	X131

SURF. DT. LT. ROCK COM EMB REFILL SURF. DT. RT. EMB BENCH

SURF. DT. LT. ROCK COM EMB REFILL SURF. DT. RT. EMB BENCH



FILE NAME: T:\2498\PHASE2\SOUTHEND\SHEETS\XSECTS\X131\X131.DGN
 USER: jsugantz
 DATE PLOTTED: December 2, 2012
 E-SHEET NAME: X13100XS
 MicroStation v8.11.7.443

SCALE: 1" = 5' HORIZONTAL
1" = 5' VERTICAL

CROSS SECTION SHEET
STA. 116+20 TO STA. 116+60
KY 89 RELOCATION

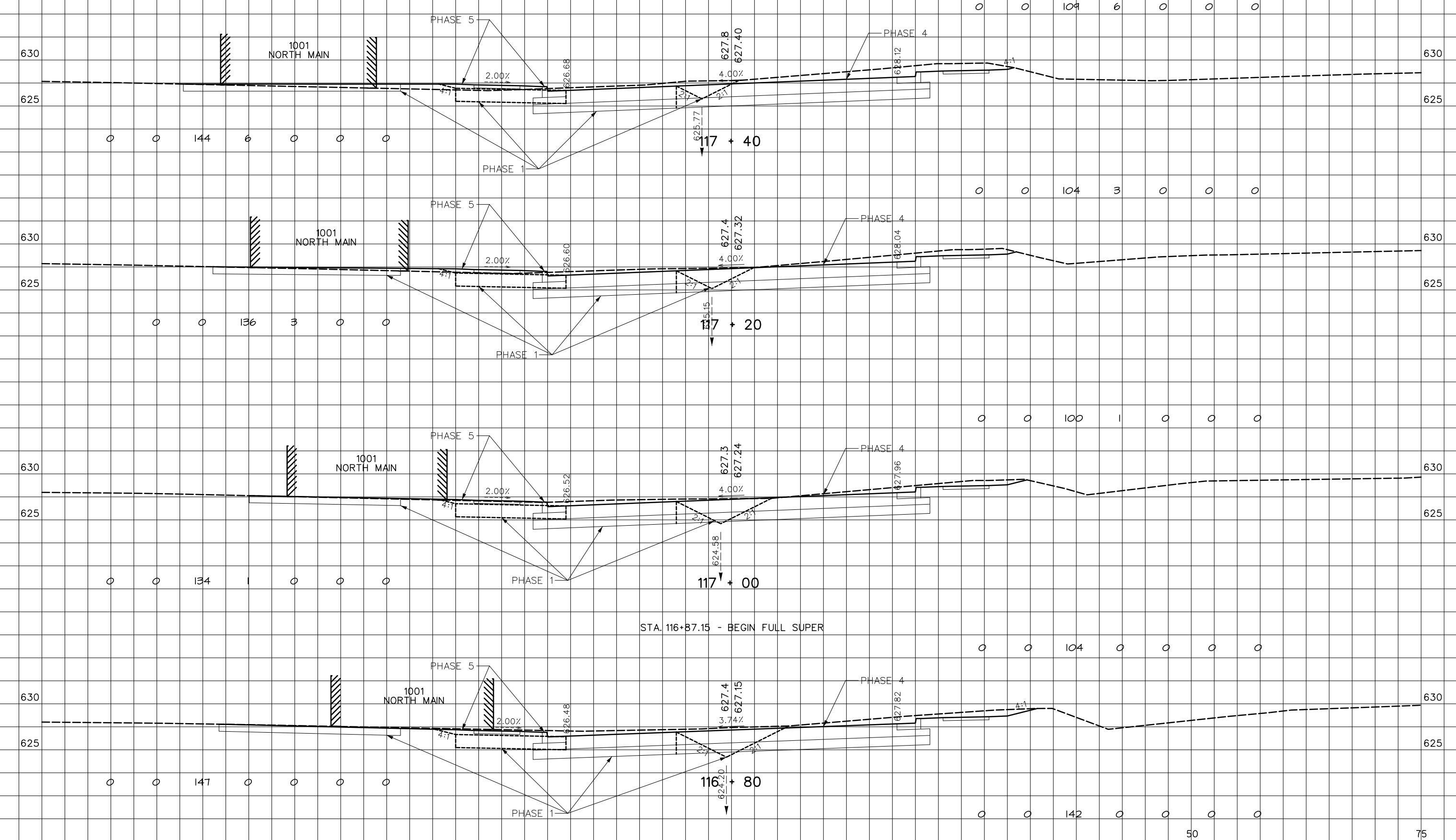
END AREAS, SQ. FT.

VOLUMES, CU. YD.

COUNTY OF	ITEM NO.	SHEET NO.
ESTILL	10-363.10	X132

SURF. DT. LT. ROCK COM EMB REFILL SURF. DT. RT. EMB BENCH

SURF. DT. LT. ROCK COM EMB REFILL SURF. DT. RT. EMB BENCH



STA. 116+87.15 - BEGIN FULL SUPER

SCALE: 1" = 5' HORIZONTAL
1" = 5' VERTICAL

CROSS SECTION SHEET
STA. 116+80 TO STA. 117+40
KY 89 RELOCATION

MicroStation v8.11.7.443
 E-SHEET NAME: X13200XS
 USER: jsilganitz
 DATE PLOTTED: December 2, 2012
 FILE NAME: T:\2498\PHASE2\SOUTHEND\SHEETS\XSECTS\X13200XS.DGN

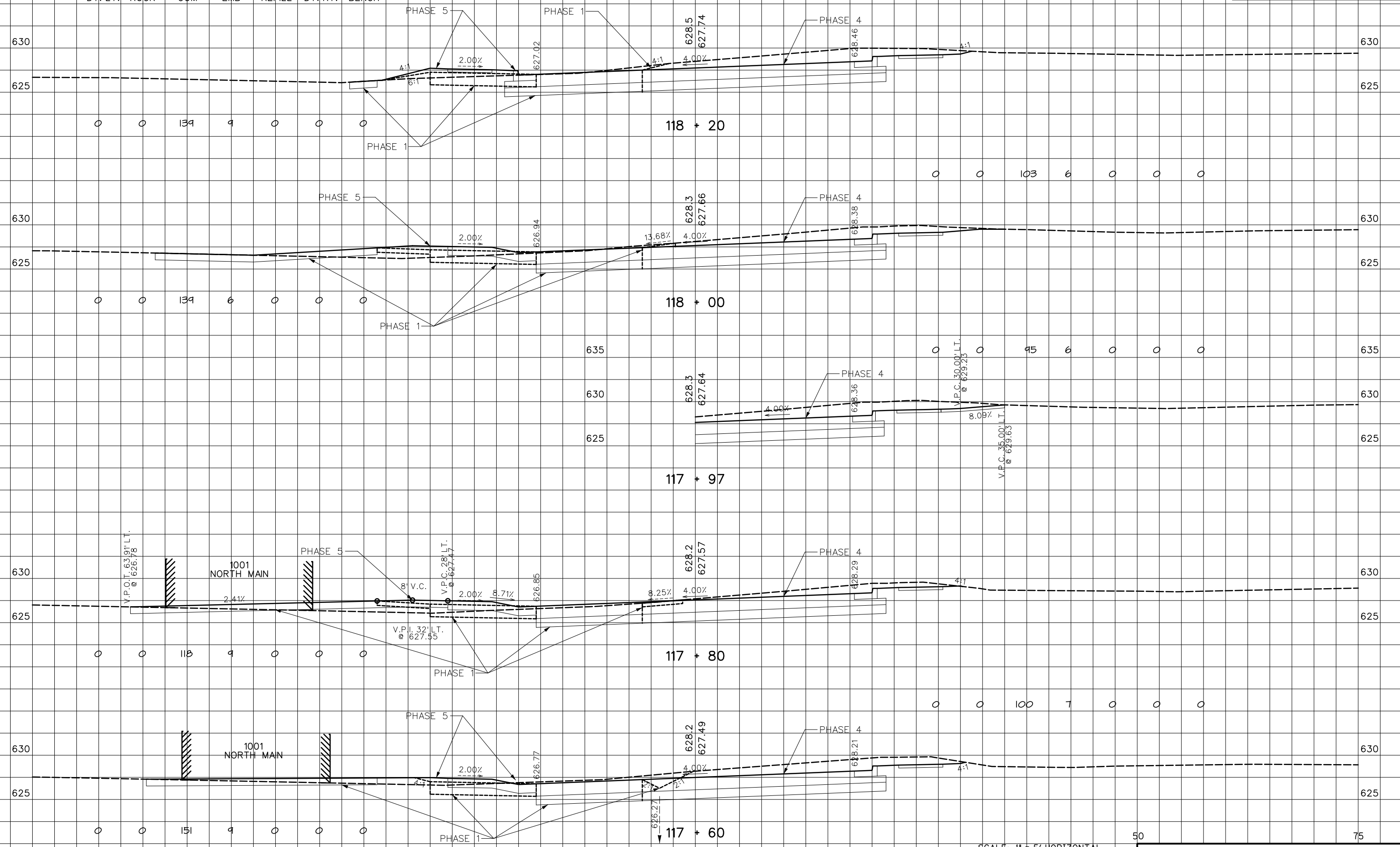
75 50 25 0 25 50 75

END AREAS, SQ. FT.

VOLUMES, CU. YD.

COUNTY OF	ITEM NO.	SHEET NO.
ESTILL	10-363.10	X133

SURF. DT. LT.	ROCK	COM	EMB	REFILL	SURF. DT. RT.	EMB BENCH	SURF. DT. LT.	ROCK	COM	EMB	REFILL	SURF. DT. RT.	EMB BENCH
---------------	------	-----	-----	--------	---------------	-----------	---------------	------	-----	-----	--------	---------------	-----------



SCALE: 1" = 5' HORIZONTAL
1" = 5' VERTICAL

CROSS SECTION SHEET
STA. 117+60 TO STA. 118+20
KY 89 RELOCATION

FILE NAME: T:\2498 PHASE2\SOUTHEND\SHEETS\XSECTS\X189XS.DGN

USER: jsilganitz
DATE PLOTTED: December 2, 2012

E-SHEET NAME: X13300XS

MicroStation v8.11.7.443

75

50

25

0

25

50

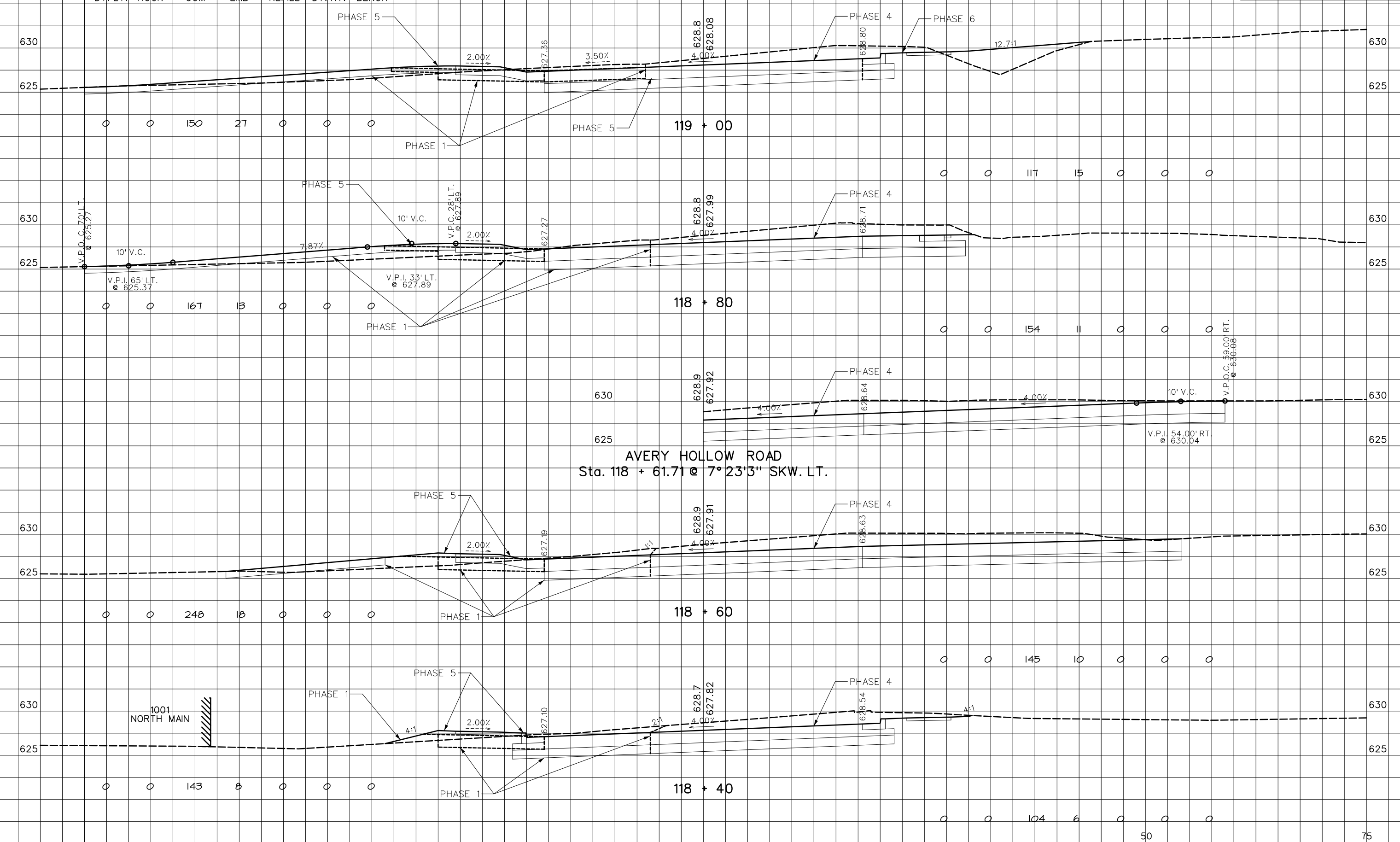
75

END AREAS, SQ. FT.

VOLUMES, CU. YD.

COUNTY OF	ITEM NO.	SHEET NO.
ESTILL	10-363.10	X134

SURF. DT. LT.	ROCK	COM	EMB	REFILL	SURF. DT. RT.	EMB BENCH	SURF. DT. LT.	ROCK	COM	EMB	REFILL	SURF. DT. RT.	EMB BENCH



AVERY HOLLOW ROAD
Sta. 118 + 61.71 @ 7° 23' 3" SKW. LT.

1001
NORTH MAIN

SCALE: 1" = 5' HORIZONTAL
1" = 5' VERTICAL

CROSS SECTION SHEET
STA. 118+40 TO STA. 119+00
KY 89 RELOCATION

MicroStation v8.11.7.443
 E-SHEET NAME: X13400XS
 USER: jsilugantz
 DATE PLOTTED: December 2, 2012
 FILE NAME: T:\2498 PHASE2\SOUTHEND\SHEETS\XSECTS\X89XS.DGN

END AREAS, SQ. FT.

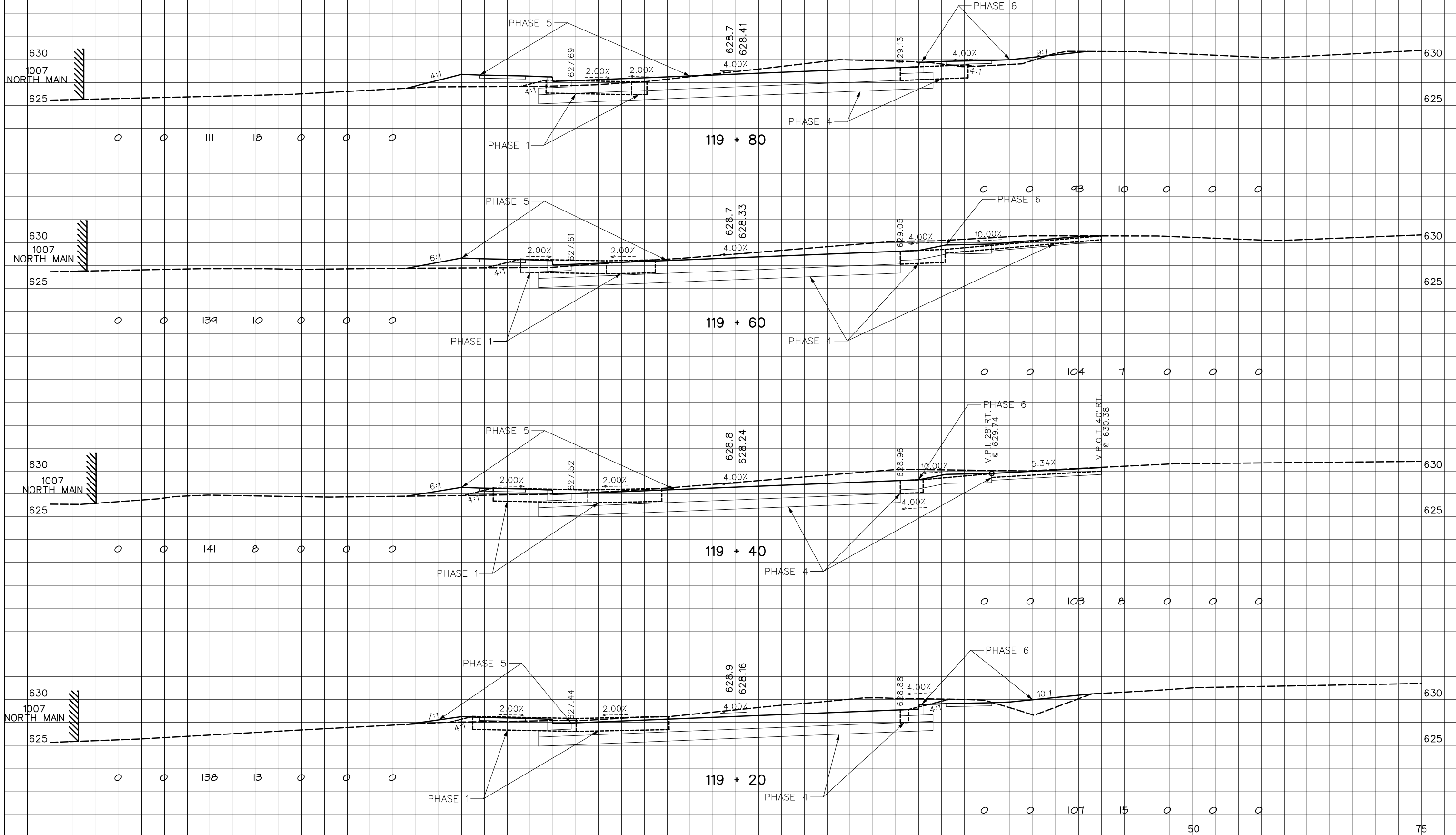
VOLUMES, CU. YD.

COUNTY OF	ITEM NO.	SHEET NO.
ESTILL	10-363.10	X135

SURF. DT. LT. ROCK COM EMB REFILL SURF. DT. RT. EMB BENCH

SURF. DT. LT. ROCK COM EMB REFILL SURF. DT. RT. EMB BENCH

STA. 119+92.23 - END FULL SUPER



SCALE: 1" = 5' HORIZONTAL
1" = 5' VERTICAL

CROSS SECTION SHEET
STA. 119+20 TO STA. 119+80
KY 89 RELOCATION

MicroStation v8.11.7.443
 E-SHEET NAME: X13500XS
 USER: jsilganitz
 DATE PLOTTED: December 2, 2012
 FILE NAME: T:\2498\PHASE2\SOUTHEND\SHEETS\XSECTS\X13500XS.DGN

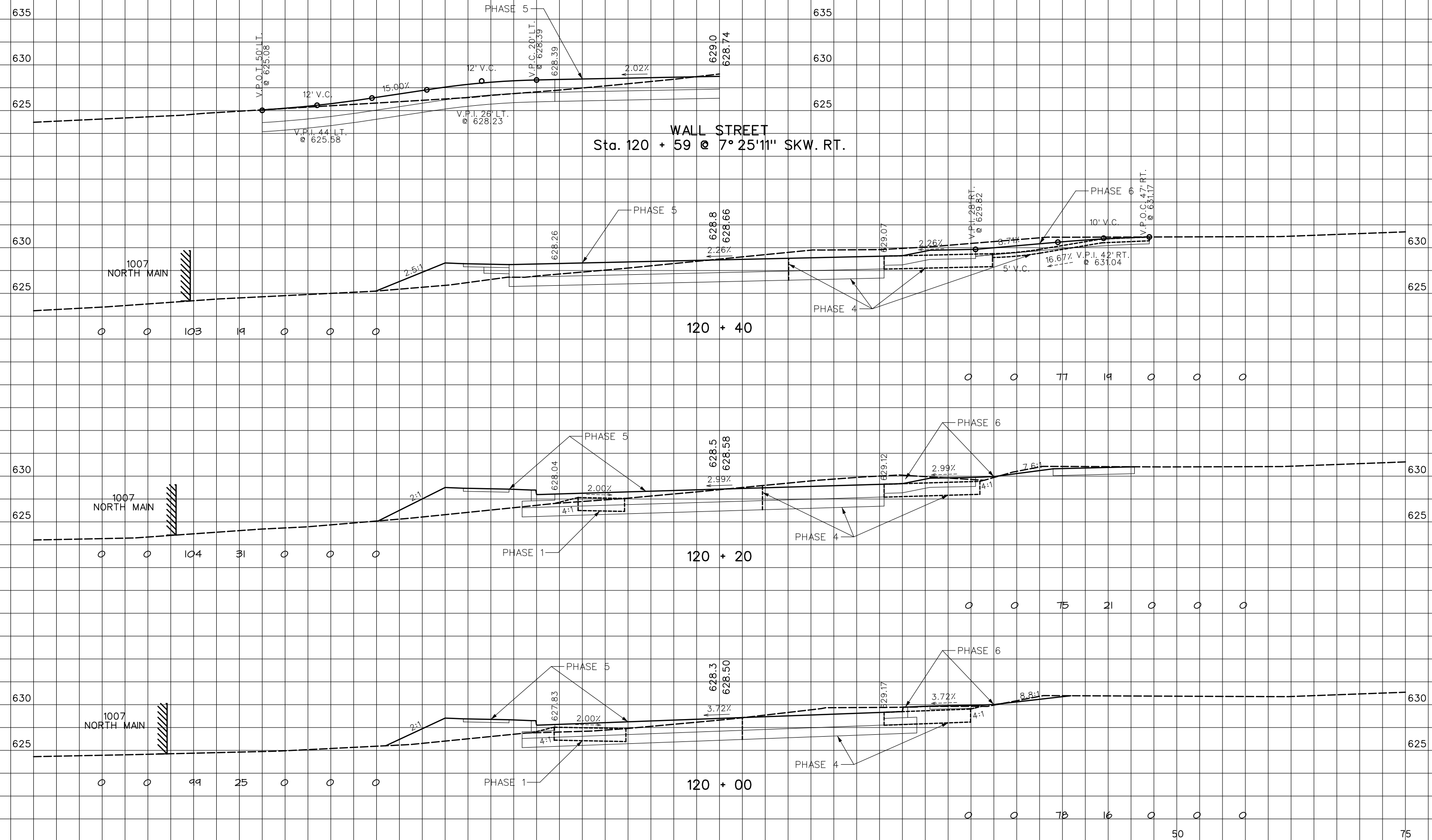
END AREAS, SQ. FT.

VOLUMES, CU. YD.

COUNTY OF	ITEM NO.	SHEET NO.
ESTILL	10-363.10	X136

SURF. DT. LT. ROCK COM EMB REFILL SURF. DT. RT. EMB BENCH

SURF. DT. LT. ROCK COM EMB REFILL SURF. DT. RT. EMB BENCH



SCALE: 1" = 5' HORIZONTAL
1" = 5' VERTICAL

CROSS SECTION SHEET
STA. 120+00 TO STA. 120+59
KY 89 RELOCATION

MicroStation v8.11.7.443
 E-SHEET NAME: X13600XS
 USER: jsilganitz
 DATE PLOTTED: December 2, 2012
 FILE NAME: T:\2498\PHASE2\SOUTHEND\SHEETS\XSECTS\X13600XS.DGN

END AREAS, SQ. FT.

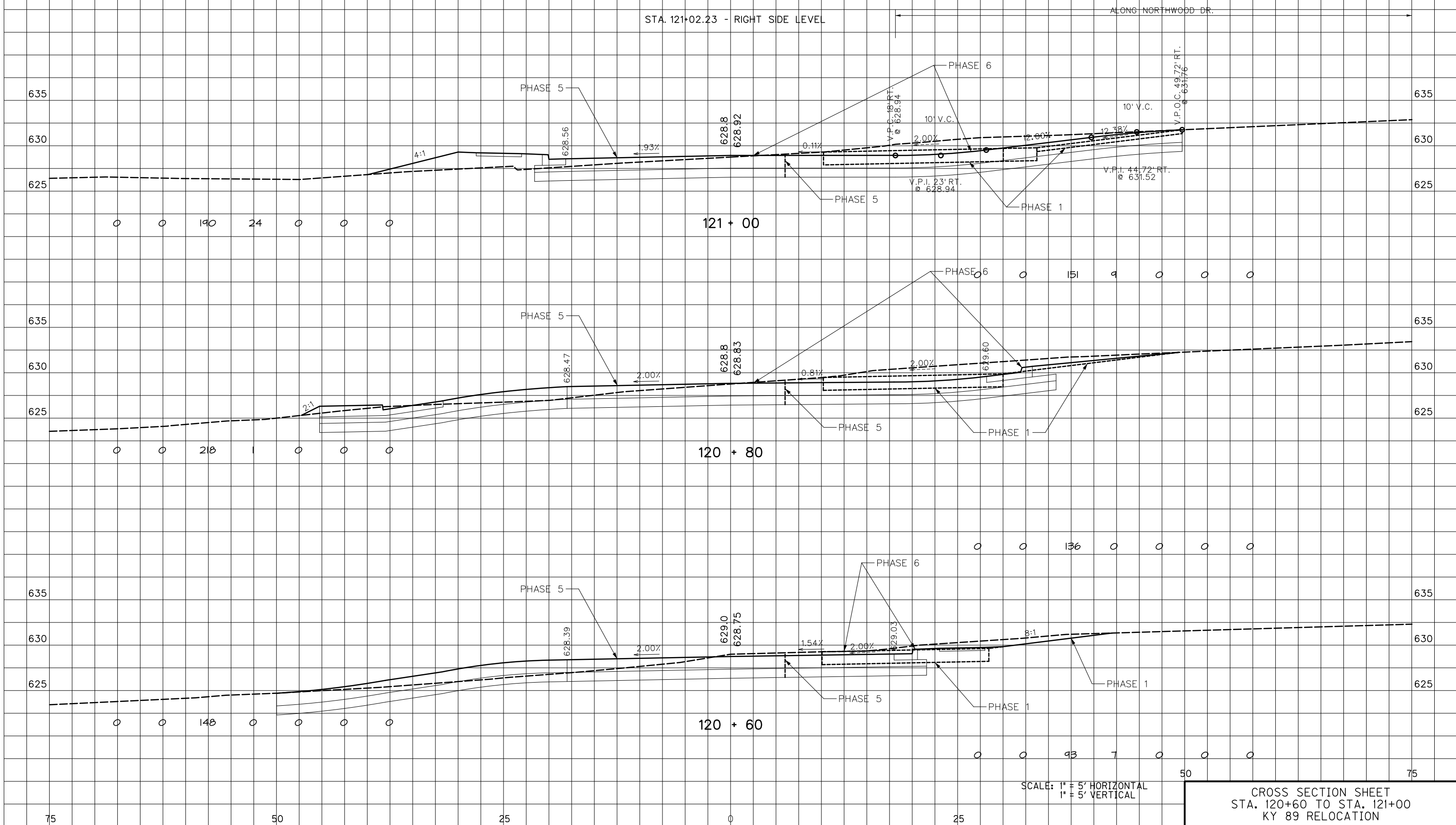
VOLUMES, CU. YD.

COUNTY OF	ITEM NO.	SHEET NO.
ESTILL	10-363.10	X137

SURF. DT. LT. ROCK COM EMB REFILL SURF. DT. RT. EMB BENCH

SURF. DT. LT. ROCK COM EMB REFILL SURF. DT. RT. EMB BENCH

FILE NAME: T:\2498 PHASE2\SOUTHEND\SHEETS\XSECTS\X137\89XS.DGN
 USER: JSJugantz
 DATE PLOTTED: December 2, 2012
 E-SHEET NAME: X13700XS
 MicroStation v8.11.7.443



SCALE: 1" = 5' HORIZONTAL
1" = 5' VERTICAL

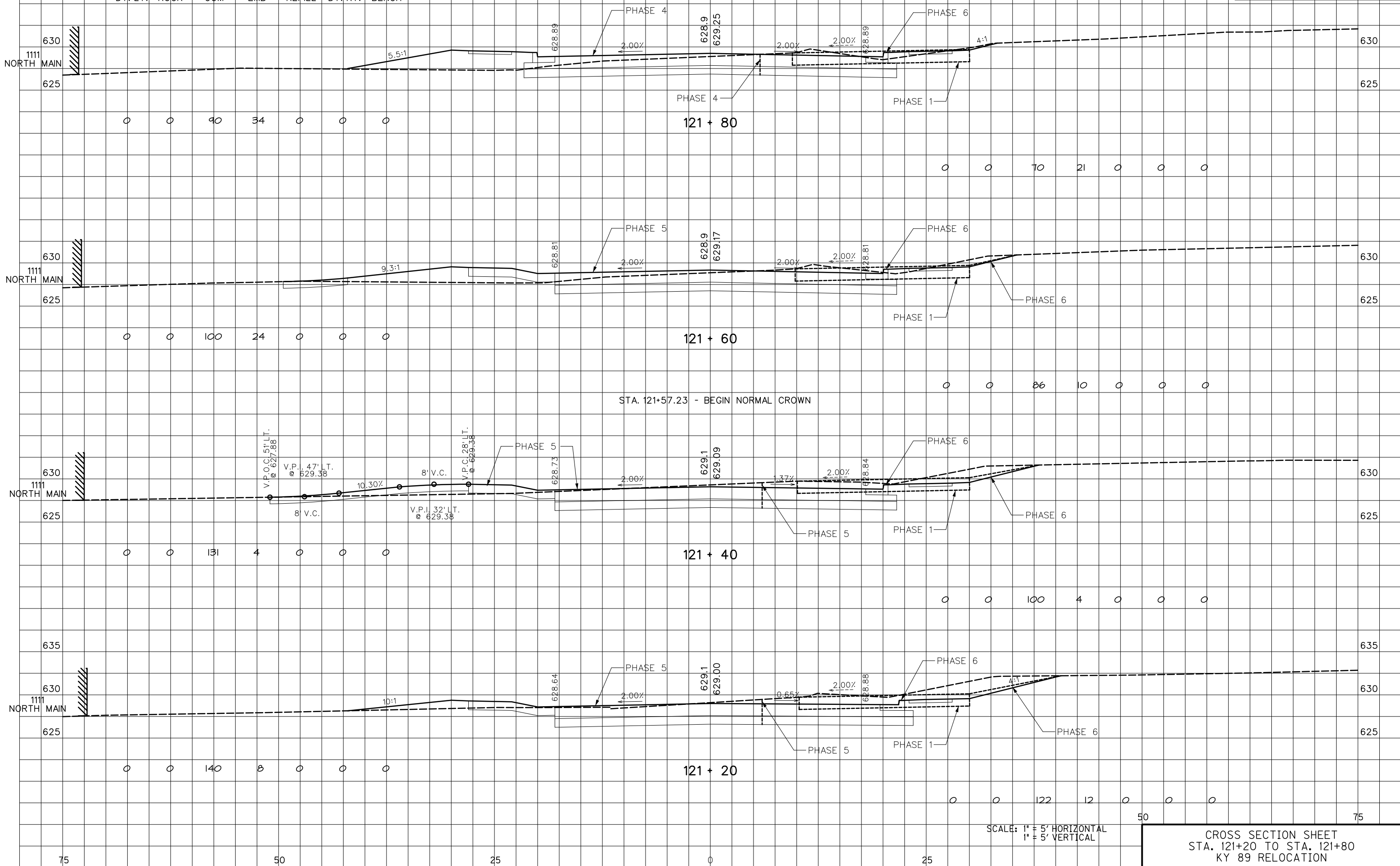
CROSS SECTION SHEET
STA. 120+60 TO STA. 121+00
KY 89 RELOCATION

END AREAS, SQ. FT.

VOLUMES, CU. YD.

COUNTY OF	ITEM NO.	SHEET NO.
ESTILL	10-363.10	X138

SURF. DT. LT. ROCK COM EMB REFILL SURF. DT. RT. EMB BENCH



FILE NAME: T:\2498\PHASE2\SOUTHEND\SHEETS\XSECTS\X138\X8.DGN
 USER: JSJugantz
 DATE PLOTTED: December 2, 2012
 E-SHEET NAME: X13800XS
 MicroStation v8.11.7.443

CROSS SECTION SHEET
 STA. 121+20 TO STA. 121+80
 KY 89 RELOCATION

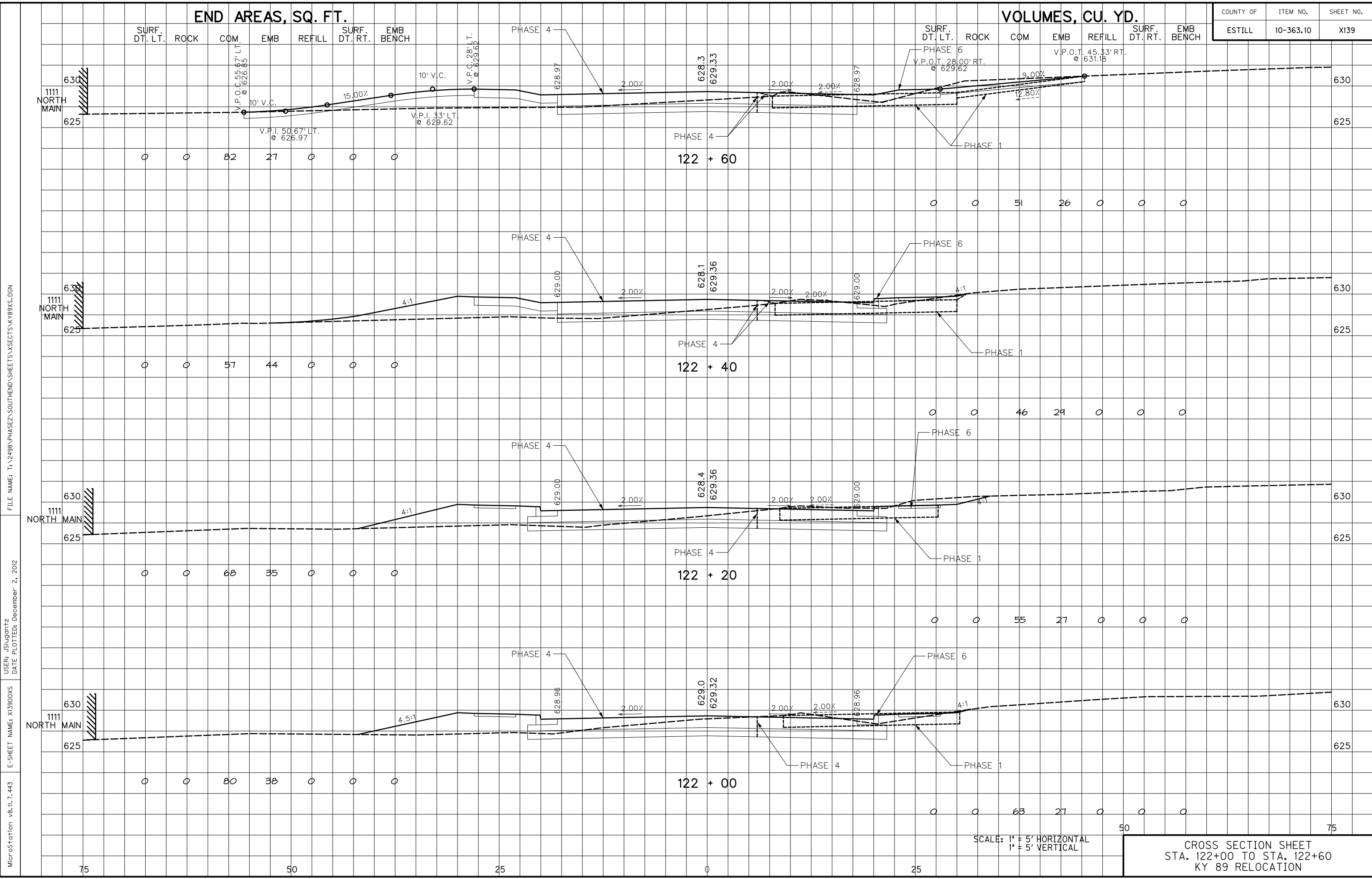
END AREAS, SQ. FT.

VOLUMES, CU. YD.

COUNTY OF	ITEM NO.	SHEET NO.
ESTILL	10-363.10	X139

SURF. DT. LT. ROCK COM EMB REFILL SURF. DT. RT. EMB BENCH

SURF. DT. LT. ROCK COM EMB REFILL SURF. DT. RT. EMB BENCH



FILE NAME: T:\2498 PHASE2\SOUTHEND\SHEETS\XSECTS\X189XS.DGN
 USER: jsilgantz
 DATE PLOTTED: December 2, 2012
 E-SHEET NAME: X13900XS
 MicroStation v8.11.7.443

SCALE: 1" = 5' HORIZONTAL
1" = 5' VERTICAL

CROSS SECTION SHEET
STA. 122+00 TO STA. 122+60
KY 89 RELOCATION

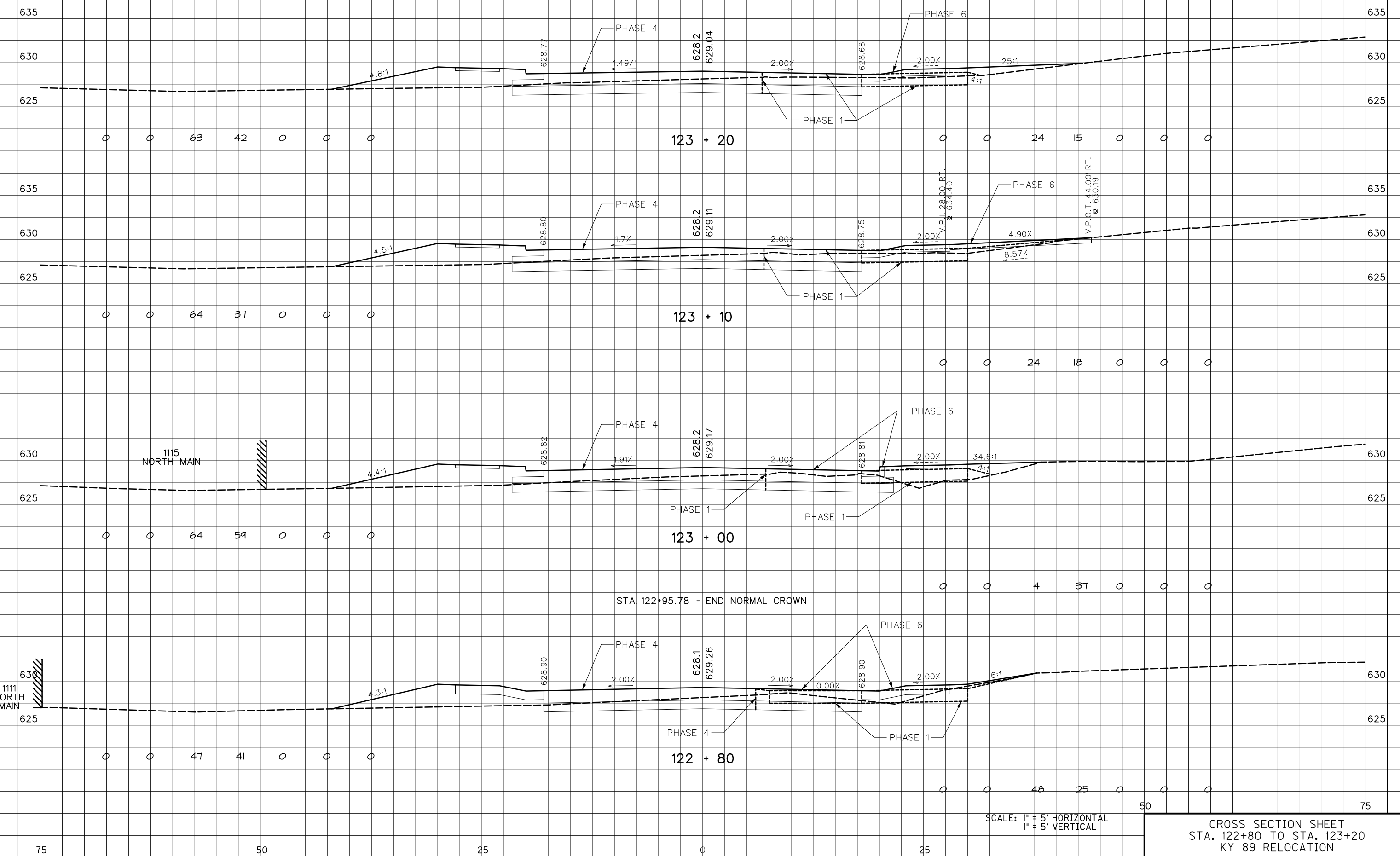
END AREAS, SQ. FT.

VOLUMES, CU. YD.

COUNTY OF	ITEM NO.	SHEET NO.
ESTILL	10-363.10	X140

SURF. DT. LT. ROCK COM EMB REFILL SURF. DT. RT. EMB BENCH

SURF. DT. LT. ROCK COM EMB REFILL SURF. DT. RT. EMB BENCH



FILE NAME: T:\2498 PHASE2\SOUTHEND\SHEETS\XSECTS\X1400XS.DGN
 USER: JSJugantZ
 DATE PLOTTED: December 2, 2012
 E-SHEET NAME: X14000XS
 MicroStation v8.11.7.443

SCALE: 1" = 5' HORIZONTAL
1" = 5' VERTICAL

CROSS SECTION SHEET
STA. 122+80 TO STA. 123+20
KY 89 RELOCATION

END AREAS, SQ. FT.

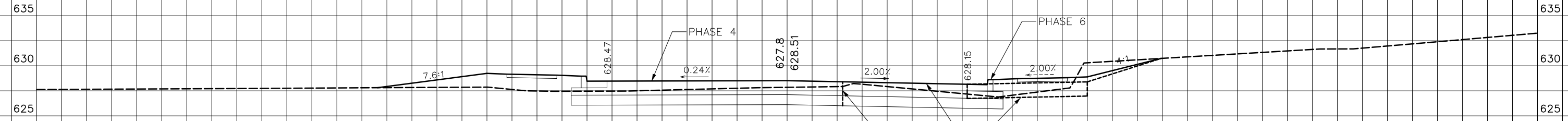
VOLUMES, CU. YD.

COUNTY OF	ITEM NO.	SHEET NO.
ESTILL	10-363.10	X141

SURF. DT. LT. ROCK COM EMB REFILL SURF. DT. RT. EMB BENCH

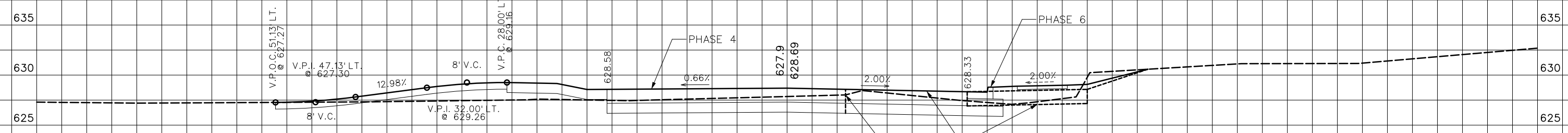
SURF. DT. LT. ROCK COM EMB REFILL SURF. DT. RT. EMB BENCH

STA. 123+91.43 - LEFT SIDE LEVEL



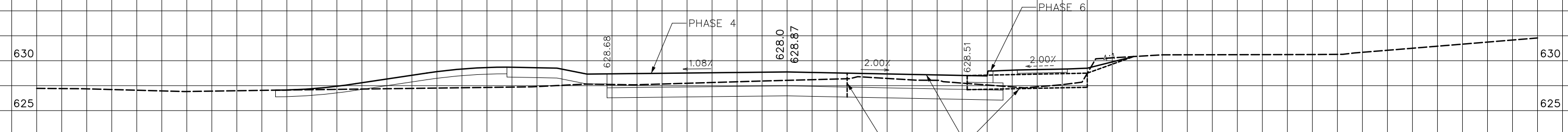
123 + 80

0 0 56 21 0 0 0



123 + 60

0 0 52 21 0 0 0



123 + 40

0 0 44 27 0 0 0

SCALE: 1" = 5' HORIZONTAL
1" = 5' VERTICAL

50 75

CROSS SECTION SHEET
STA. 123+40 TO STA. 123+80
KY 89 RELOCATION

FILE NAME: T:\2498 PHASE2\SOUTHEND\SHEETS\XSECTS\X141\89XS.DGN

USER: jsjagantz
DATE PLOTTED: December 2, 2012

E-SHEET NAME: X14100XS

MicroStation v8.11.7.443

75

50

25

0

25

END AREAS, SQ. FT.

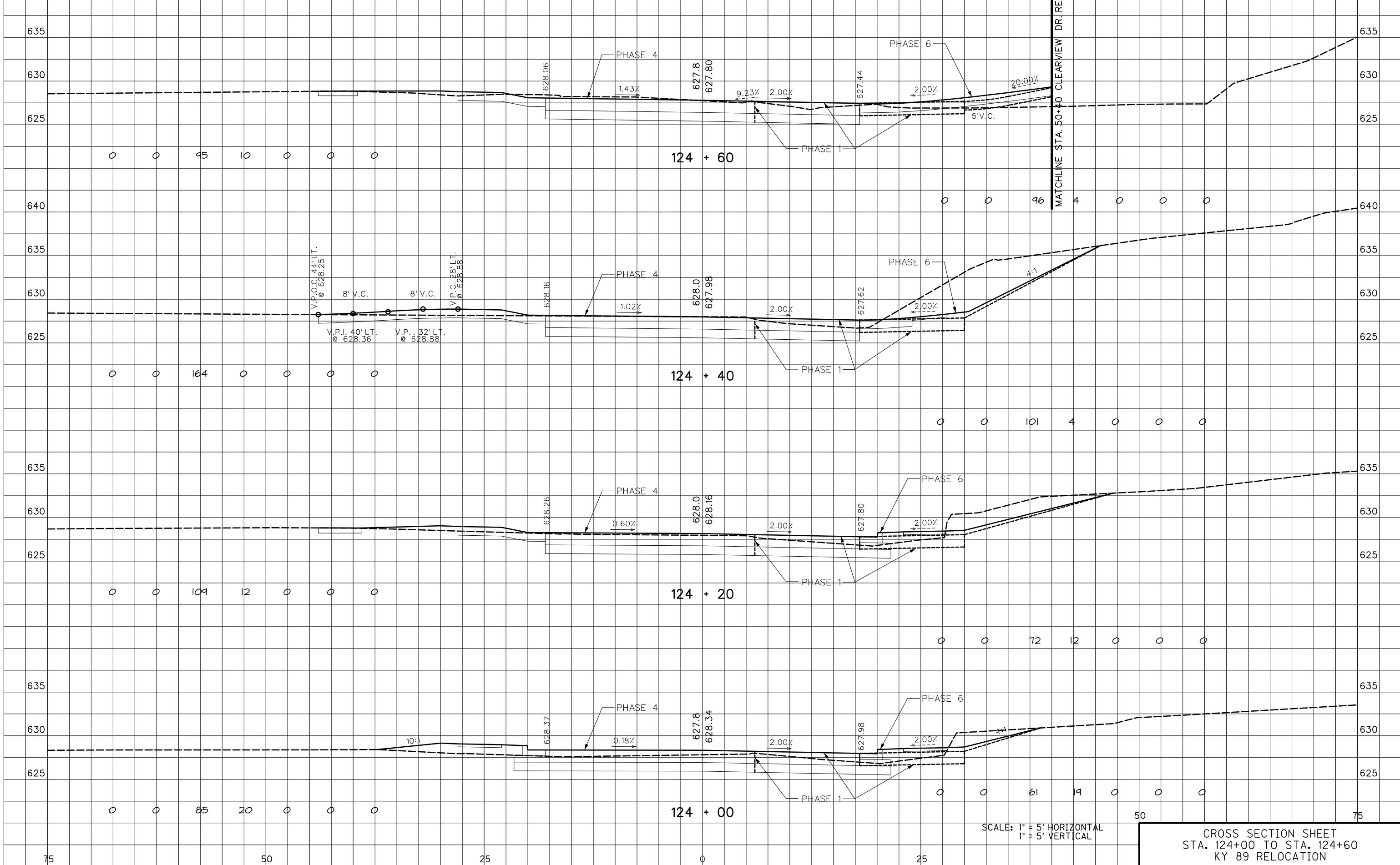
VOLUMES, CU. YD.

COUNTY OF	ITEM NO.	SHEET NO.
ESTILL	10-363.10	X142

SURF. DT. LT. ROCK COM EMB REFILL SURF. DT. RT. EMB BENCH

SURF. DT. LT. ROCK COM EMB REFILL SURF. DT. RT. EMB BENCH

FILE NAME: T:\2498 PHASE2\SOUTHEND\SHEETS\XSECTS\X142\X142.DGN
 USER: JSUJGANTZ
 DATE PLOTTED: December 2, 2012
 E-SHEET NAME: X14200XS
 MicroStation v8.11.7.443



CROSS SECTION SHEET
 STA. 124+00 TO STA. 124+60
 KY 89 RELOCATION

END AREAS, SQ. FT.

VOLUMES, CU. YD.

COUNTY OF	ITEM NO.	SHEET NO.
ESTILL	10-363.10	X143

SURF. DT. LT. ROCK COM EMB REFILL SURF. DT. RT. EMB BENCH

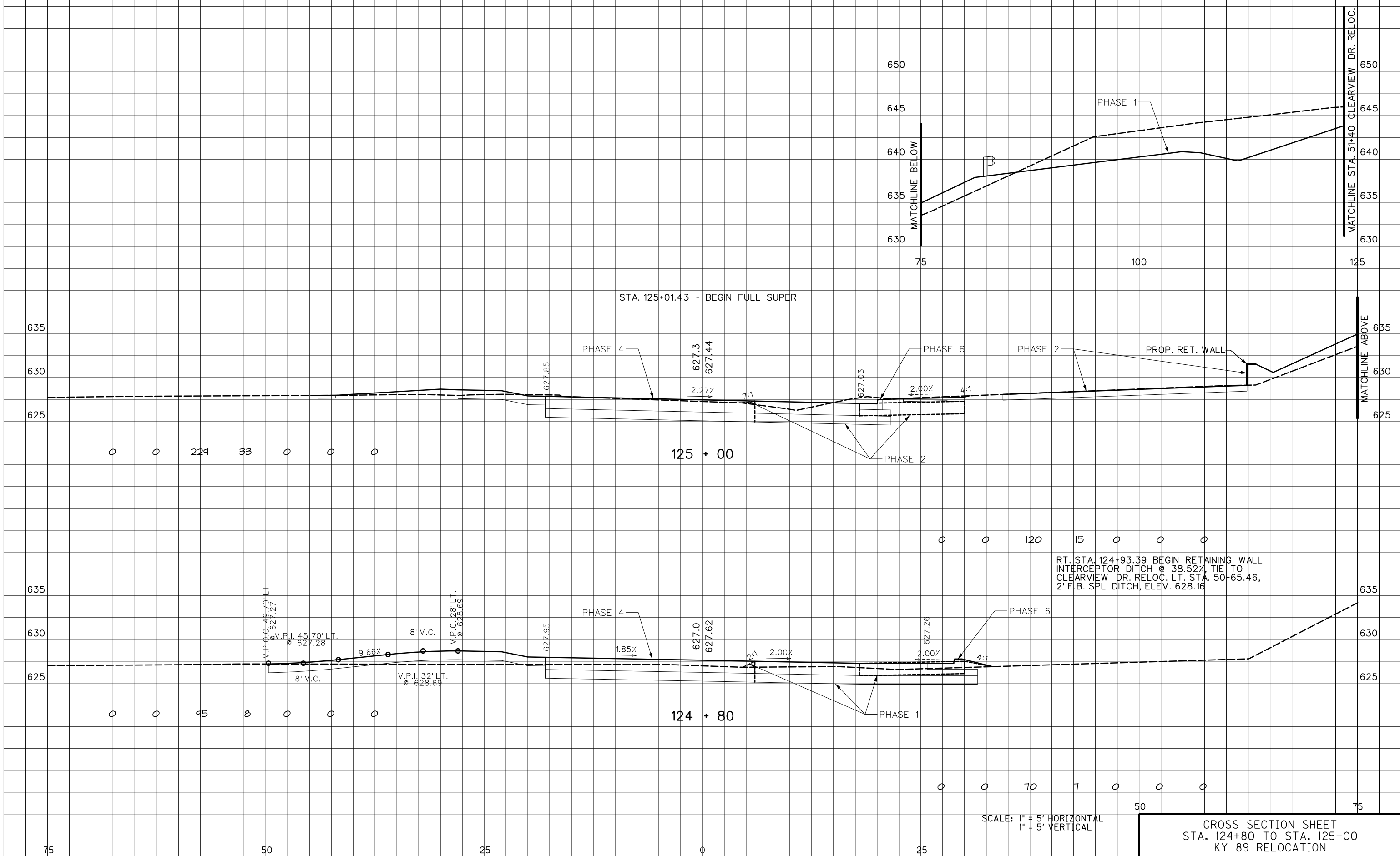
SURF. DT. LT. ROCK COM EMB REFILL SURF. DT. RT. EMB BENCH

FILE NAME: T:\2498 PHASE2\SOUTHEND\SHEETS\XSECTS\X143\X143.DGN

USER: jsugantz
DATE PLOTTED: December 2, 2012

E-SHEET NAME: X14300XS

MicroStation v8.11.7.443



SCALE: 1" = 5' HORIZONTAL
1" = 5' VERTICAL

CROSS SECTION SHEET
STA. 124+80 TO STA. 125+00
KY 89 RELOCATION

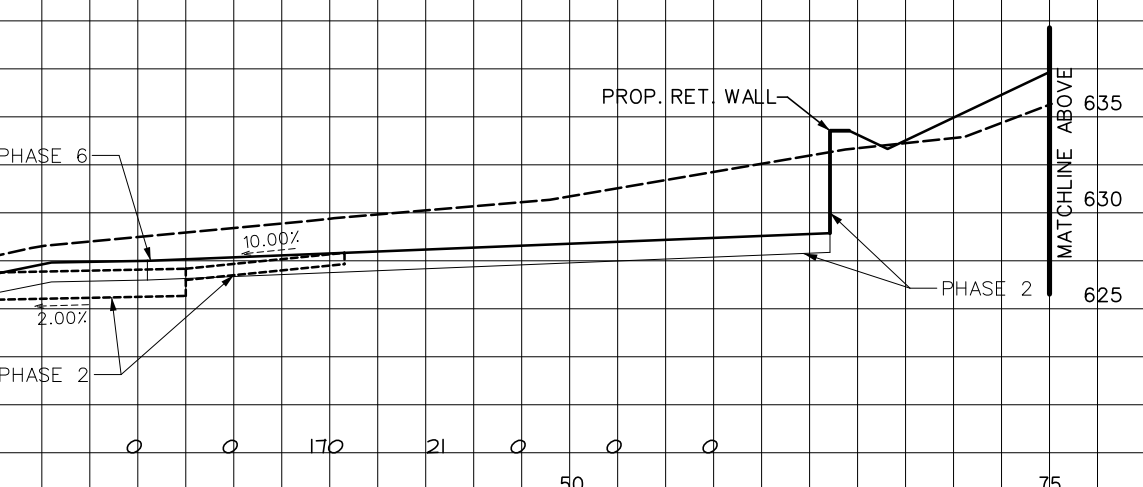
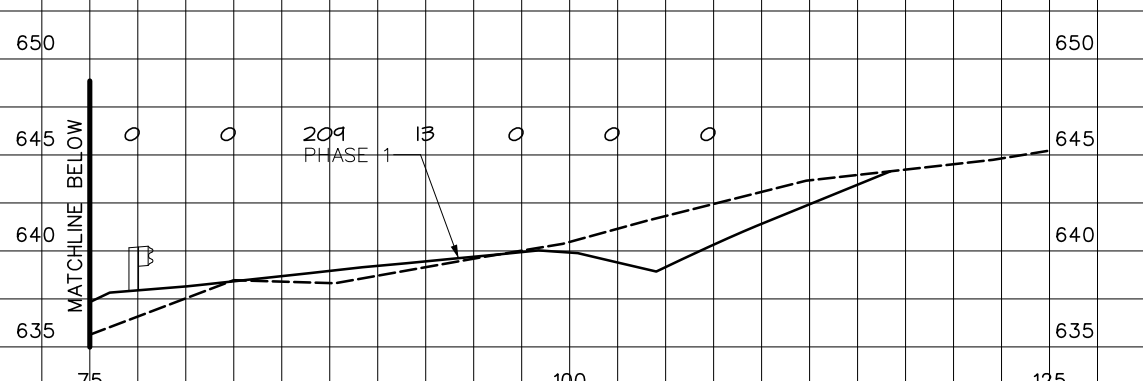
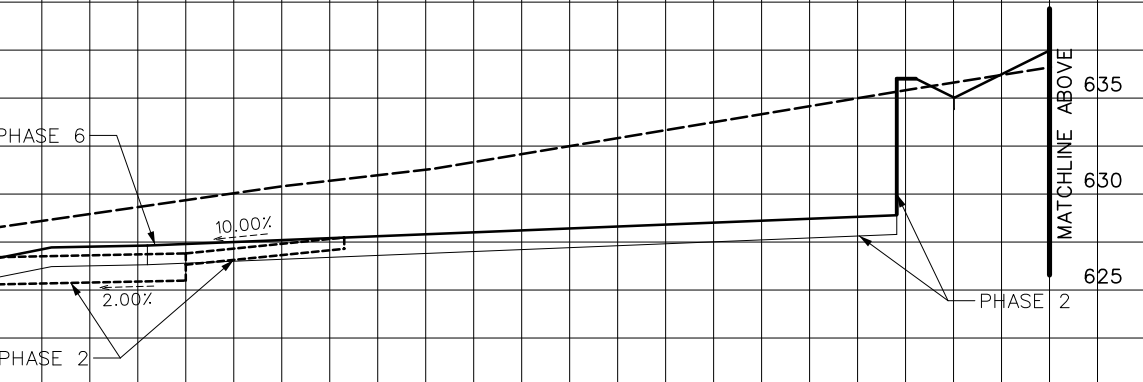
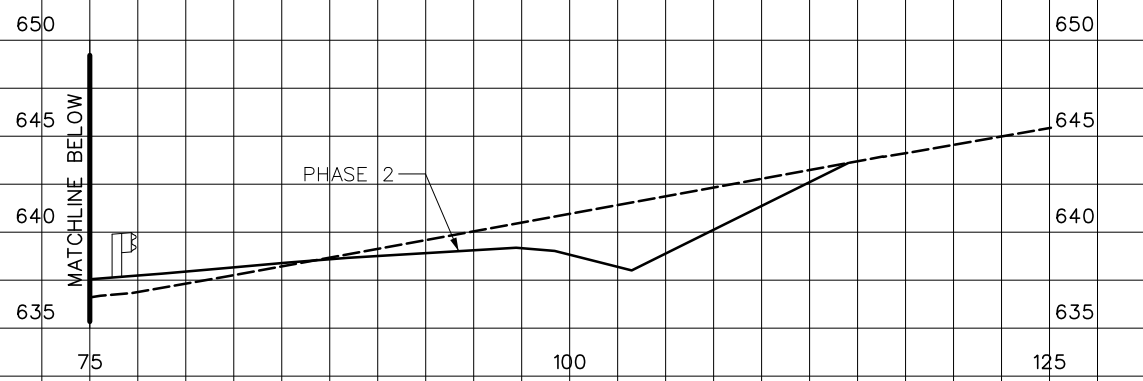
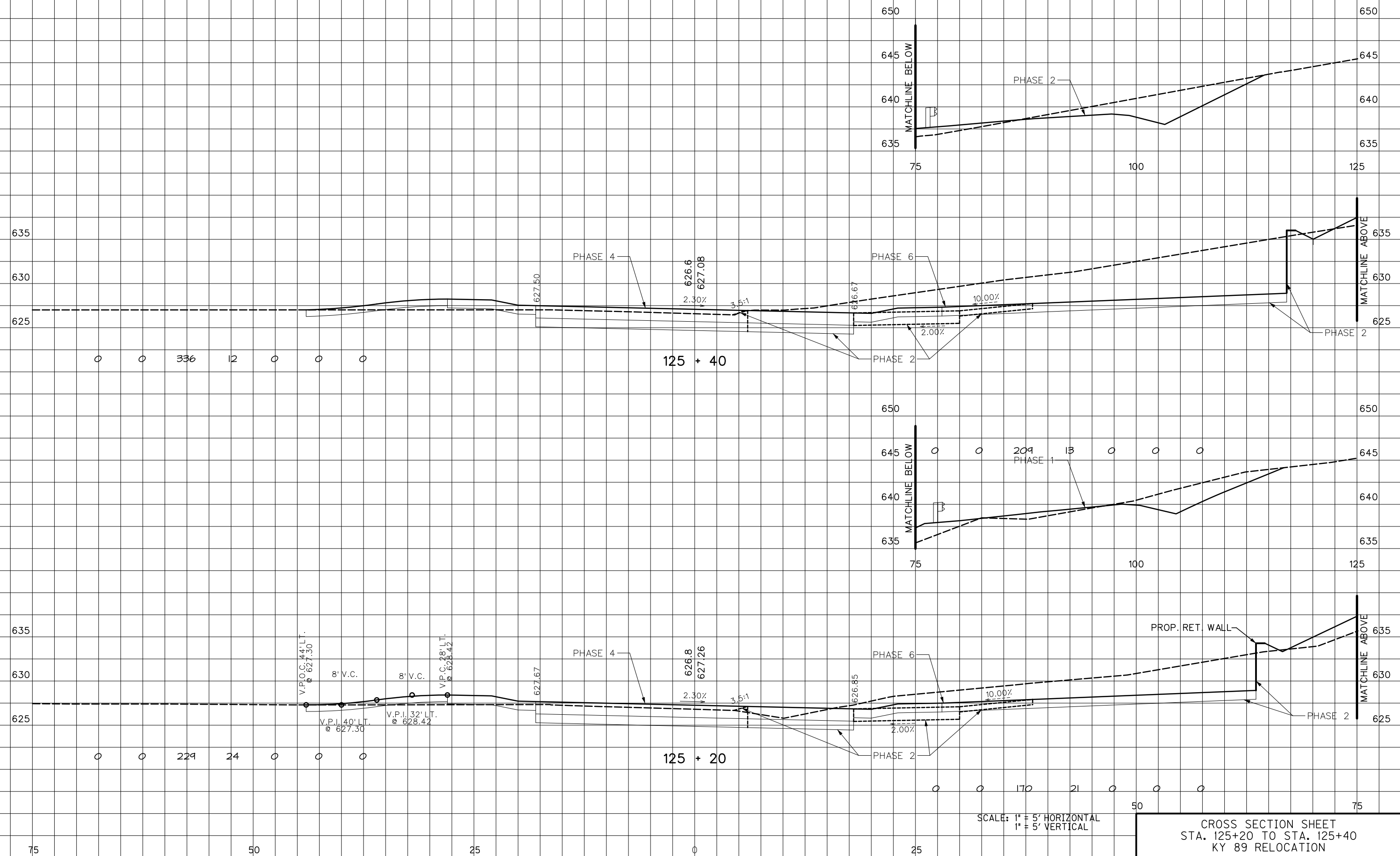
END AREAS, SQ. FT.

VOLUMES, CU. YD.

COUNTY OF	ITEM NO.	SHEET NO.
ESTILL	10-363.10	X144

SURF. DT. LT.	ROCK	COM	EMB	REFILL	SURF. DT. RT.	EMB BENCH
---------------	------	-----	-----	--------	---------------	-----------

SURF. DT. LT.	ROCK	COM	EMB	REFILL	SURF. DT. RT.	EMB BENCH
---------------	------	-----	-----	--------	---------------	-----------



SCALE: 1" = 5' HORIZONTAL
1" = 5' VERTICAL

CROSS SECTION SHEET
STA. 125+20 TO STA. 125+40
KY 89 RELOCATION

FILE NAME: T:\2498 PHASE2\SOUTHEND\SHEETS\XSECTS\X144\X144.DGN

USER: jsilganitz
DATE PLOTTED: December 2, 2012

E-SHEET NAME: X14400XS

MicroStation v8.11.7.443

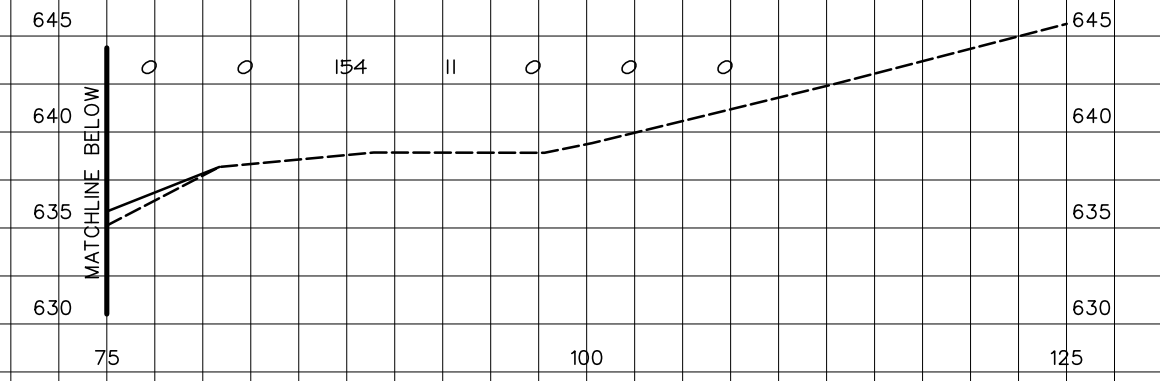
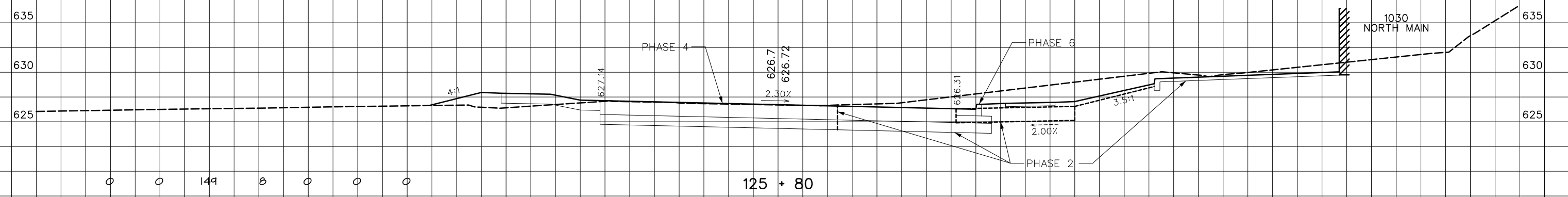
END AREAS, SQ. FT.

VOLUMES, CU. YD.

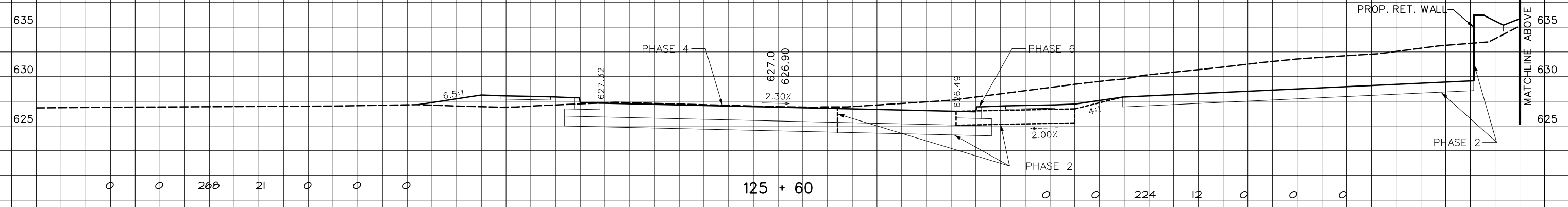
COUNTY OF	ITEM NO.	SHEET NO.
ESTILL	10-363.10	X145

SURF. DT. LT. ROCK COM EMB REFILL SURF. DT. RT. EMB BENCH

SURF. DT. LT. ROCK COM EMB REFILL SURF. DT. RT. EMB BENCH



RT. STA. 125+76.87, END RETAINING WALL
INTERCEPTOR "V" DITCH @ 1.00%, ELEV. 635.38



SCALE: 1" = 5' HORIZONTAL
1" = 5' VERTICAL

CROSS SECTION SHEET
STA. 125+60 TO STA. 125+80
KY 89 RELOCATION

FILE NAME: T:\2498 PHASE2\SOUTHEND\SHEETS\XSECTS\X145.DGN

USER: jsilganitz
DATE PLOTTED: December 2, 2012

E-SHEET NAME: X14500XS

MicroStation v8.11.7.443

75

50

25

0

25

50

75

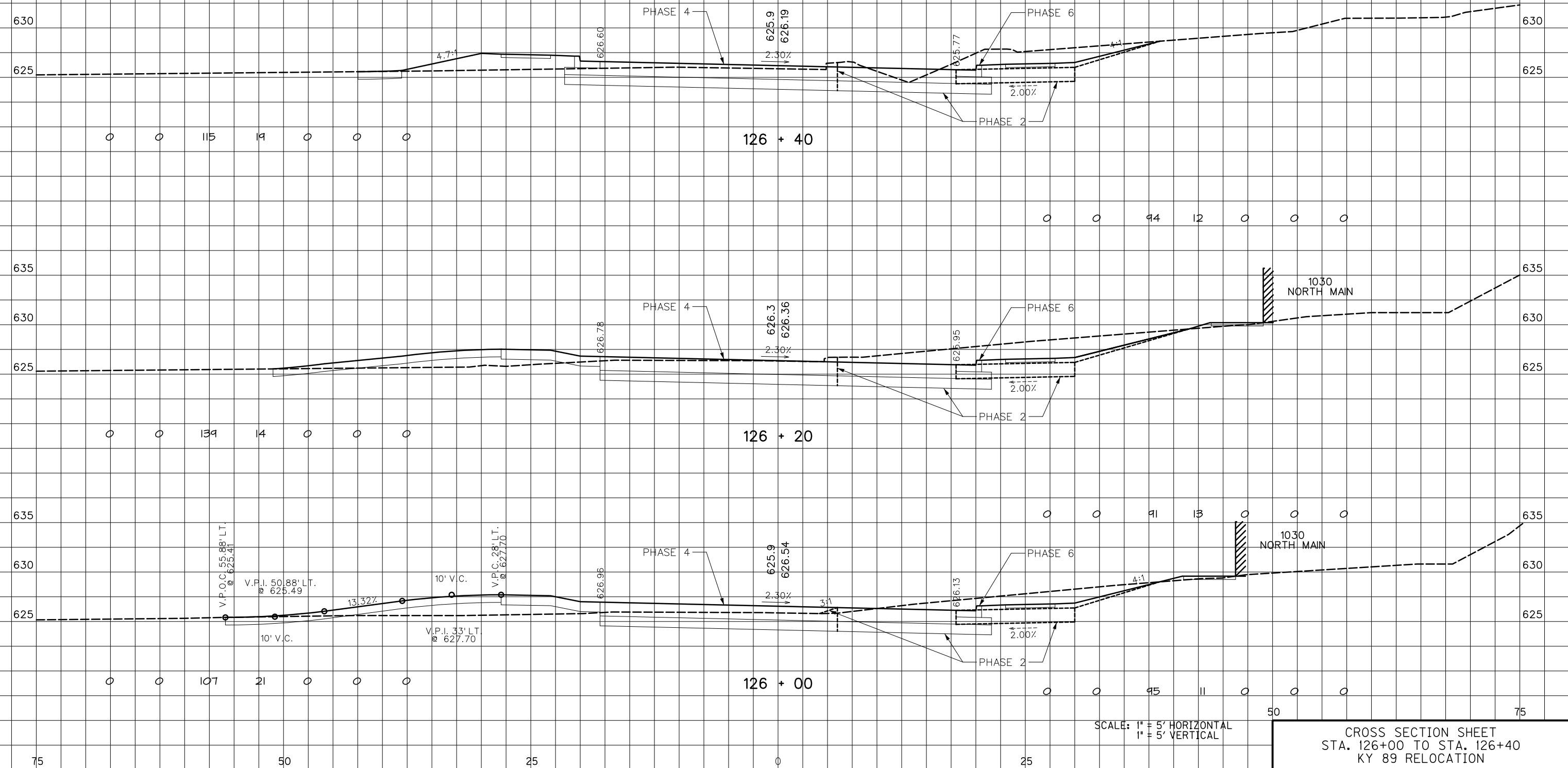
END AREAS, SQ. FT.

VOLUMES, CU. YD.

COUNTY OF	ITEM NO.	SHEET NO.
ESTILL	10-363.10	X146

SURF. DT. LT. ROCK COM EMB REFILL SURF. DT. RT. EMB BENCH

SURF. DT. LT. ROCK COM EMB REFILL SURF. DT. RT. EMB BENCH



SCALE: 1" = 5' HORIZONTAL
1" = 5' VERTICAL

CROSS SECTION SHEET
STA. 126+00 TO STA. 126+40
KY 89 RELOCATION

MicroStation v8.11.7.443
 E-SHEET NAME: X14600XS
 USER: jsilgantz
 DATE PLOTTED: December 2, 2012
 FILE NAME: T:\2498 PHASE2\SOUTHEND\SHEETS\XSECTS\X14600XS.DGN

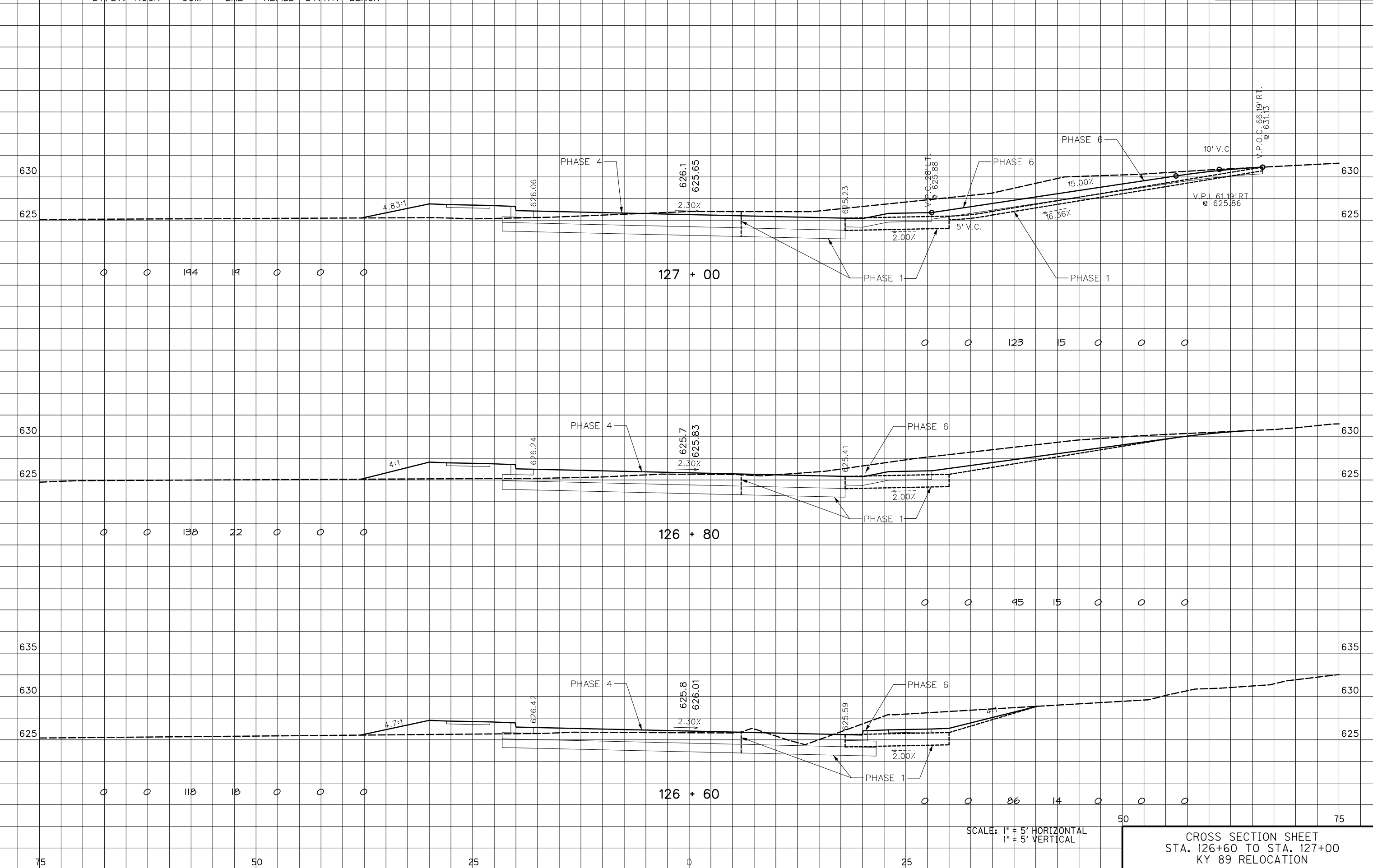
END AREAS, SQ. FT.

VOLUMES, CU. YD.

COUNTY OF	ITEM NO.	SHEET NO.
ESTILL	10-363.10	X147

SURF. DT. LT.	ROCK	COM	EMB	REFILL	SURF. DT. RT.	EMB BENCH
---------------	------	-----	-----	--------	---------------	-----------

SURF. DT. LT.	ROCK	COM	EMB	REFILL	SURF. DT. RT.	EMB BENCH
---------------	------	-----	-----	--------	---------------	-----------



SCALE: 1" = 5' HORIZONTAL
1" = 5' VERTICAL

CROSS SECTION SHEET
STA. 126+60 TO STA. 127+00
KY 89 RELOCATION

MicroStation v8.11.7.443
 E-SHEET NAME: X14700XS
 USER: jsilganitz
 DATE PLOTTED: December 2, 2012
 FILE NAME: T:\2498 PHASE2\SOUTHEND\SHEETS\XSECTS\X14700XS.DGN

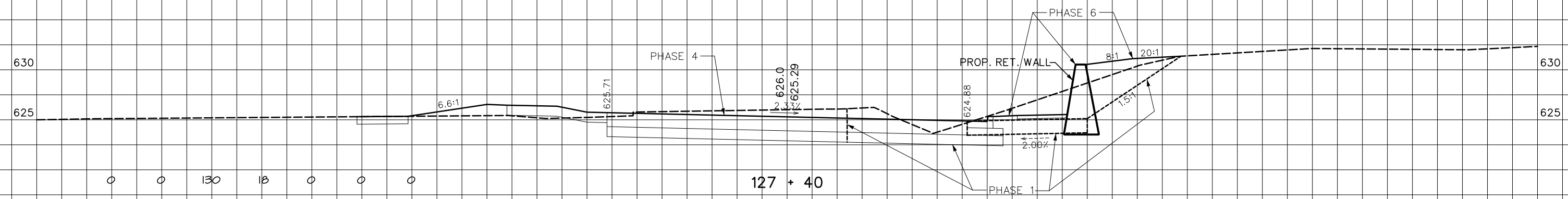
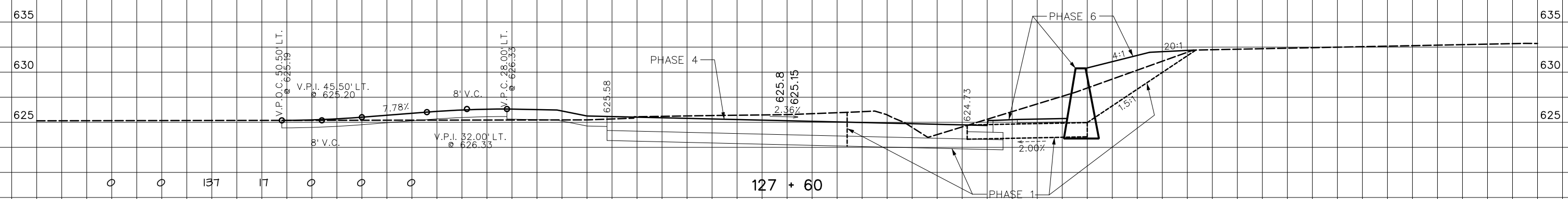
END AREAS, SQ. FT.

VOLUMES, CU. YD.

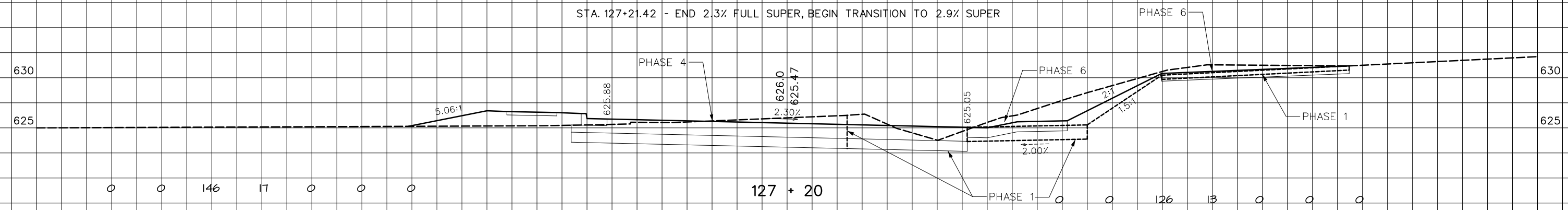
COUNTY OF	ITEM NO.	SHEET NO.
ESTILL	10-363.10	X148

SURF. DT. LT. ROCK COM EMB REFILL SURF. DT. RT. EMB BENCH

SURF. DT. LT. ROCK COM EMB REFILL SURF. DT. RT. EMB BENCH



STA. 127+21.42 - END 2.3% FULL SUPER, BEGIN TRANSITION TO 2.9% SUPER



SCALE: 1" = 5' HORIZONTAL
1" = 5' VERTICAL

CROSS SECTION SHEET
STA. 127+20 TO STA. 127+60
KY 89 RELOCATION

MicroStation v8.11.7.443
 E-SHEET NAME: X14800XS
 USER: jsilgantz
 DATE PLOTTED: December 2, 2012
 FILE NAME: T:\2498 PHASE2\SO\THEND\SHEETS\XSECTS\X14800XS.DGN

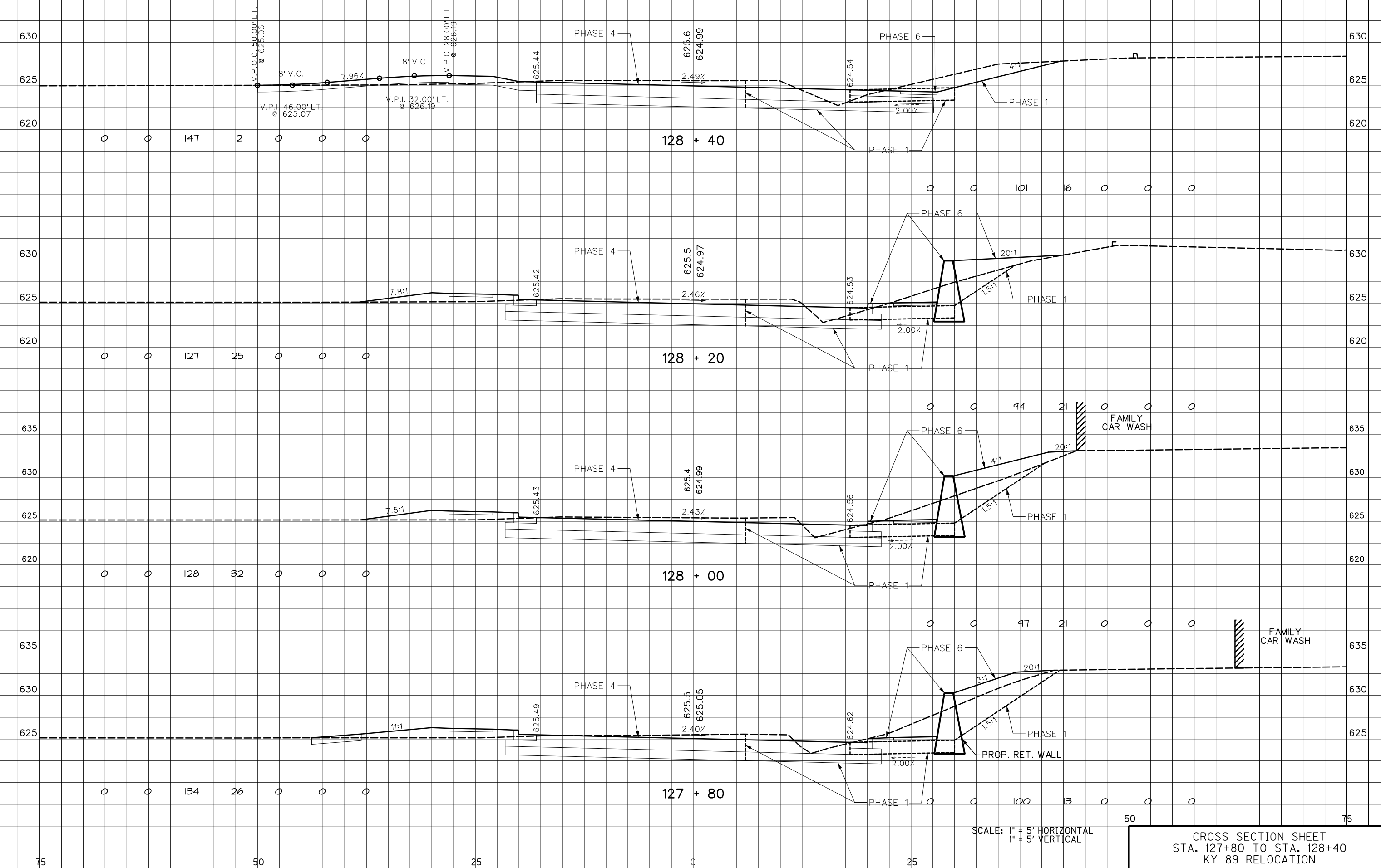
END AREAS, SQ. FT.

VOLUMES, CU. YD.

COUNTY OF	ITEM NO.	SHEET NO.
ESTILL	10-363.10	X149

SURF. DT. LT. ROCK COM EMB REFILL SURF. DT. RT. EMB BENCH

SURF. DT. LT. ROCK COM EMB REFILL SURF. DT. RT. EMB BENCH



FILE NAME: T:\2498 PHASE2\SOUTHEND\SHEETS\XSECTS\X149XS.DGN

USER: JSJugantz
DATE PLOTTED: December 2, 2012

E-SHEET NAME: X14900XS

MicroStation v8.11.7.443

CROSS SECTION SHEET
STA. 127+80 TO STA. 128+40
KY 89 RELOCATION

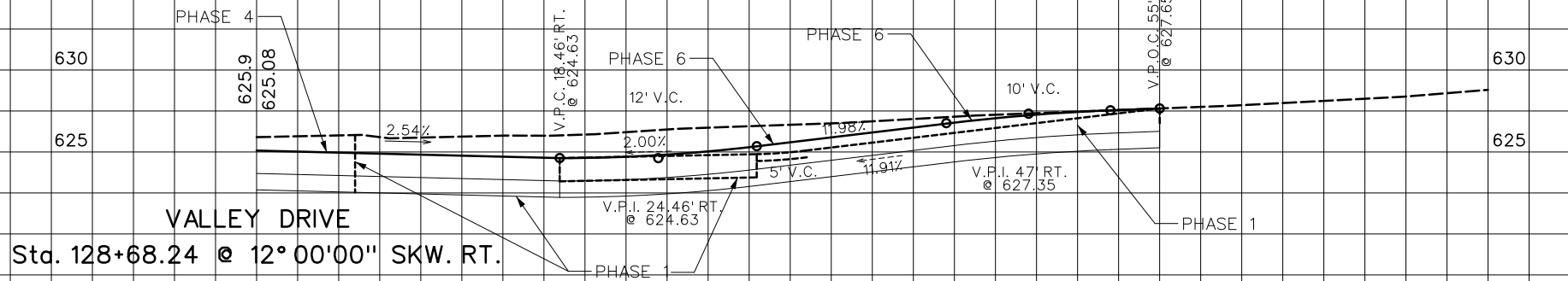
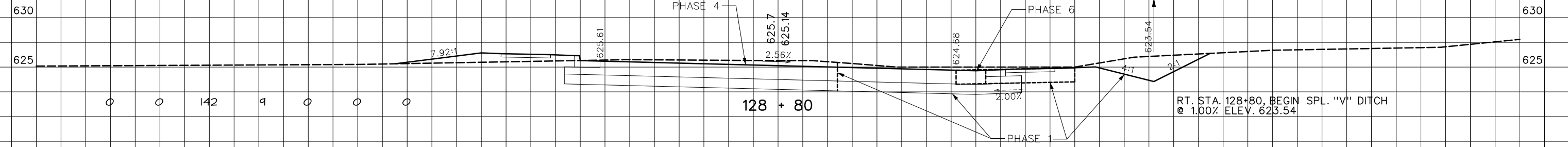
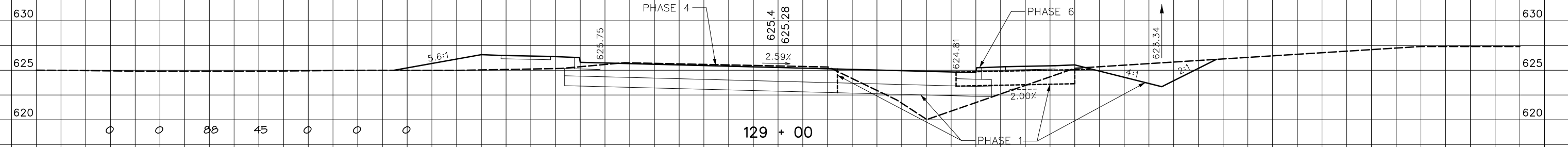
END AREAS, SQ. FT.

VOLUMES, CU. YD.

COUNTY OF	ITEM NO.	SHEET NO.
ESTILL	10-363.10	X150

SURF. DT. LT. ROCK COM EMB REFILL SURF. DT. RT. EMB BENCH

SURF. DT. LT. ROCK COM EMB REFILL SURF. DT. RT. EMB BENCH



SCALE: 1" = 5' HORIZONTAL
1" = 5' VERTICAL

CROSS SECTION SHEET
STA. 128+60 TO STA. 129+00
KY 89 RELOCATION

FILE NAME: T:\2498 PHASE2\SOUTHEND\SHEETS\XSECTS\X150\X150.DGN
 USER: JSJugantz
 DATE PLOTTED: December 2, 2012
 E-SHEET NAME: X15000XS
 MicroStation v8.11.7.443

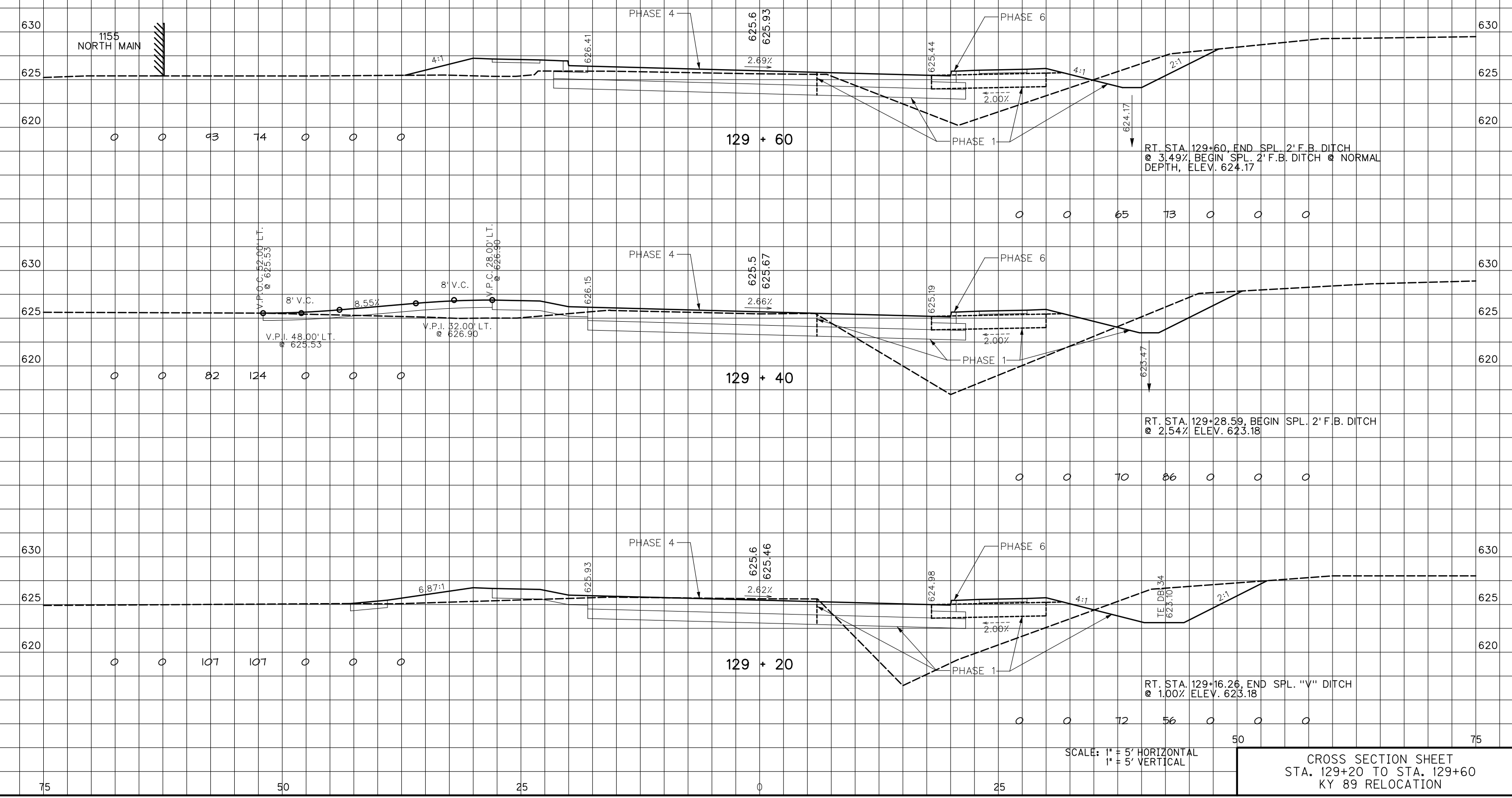
END AREAS, SQ. FT.

VOLUMES, CU. YD.

COUNTY OF	ITEM NO.	SHEET NO.
ESTILL	10-363.10	X151

SURF. DT. LT. ROCK COM EMB REFILL SURF. DT. RT. EMB BENCH

SURF. DT. LT. ROCK COM EMB REFILL SURF. DT. RT. EMB BENCH



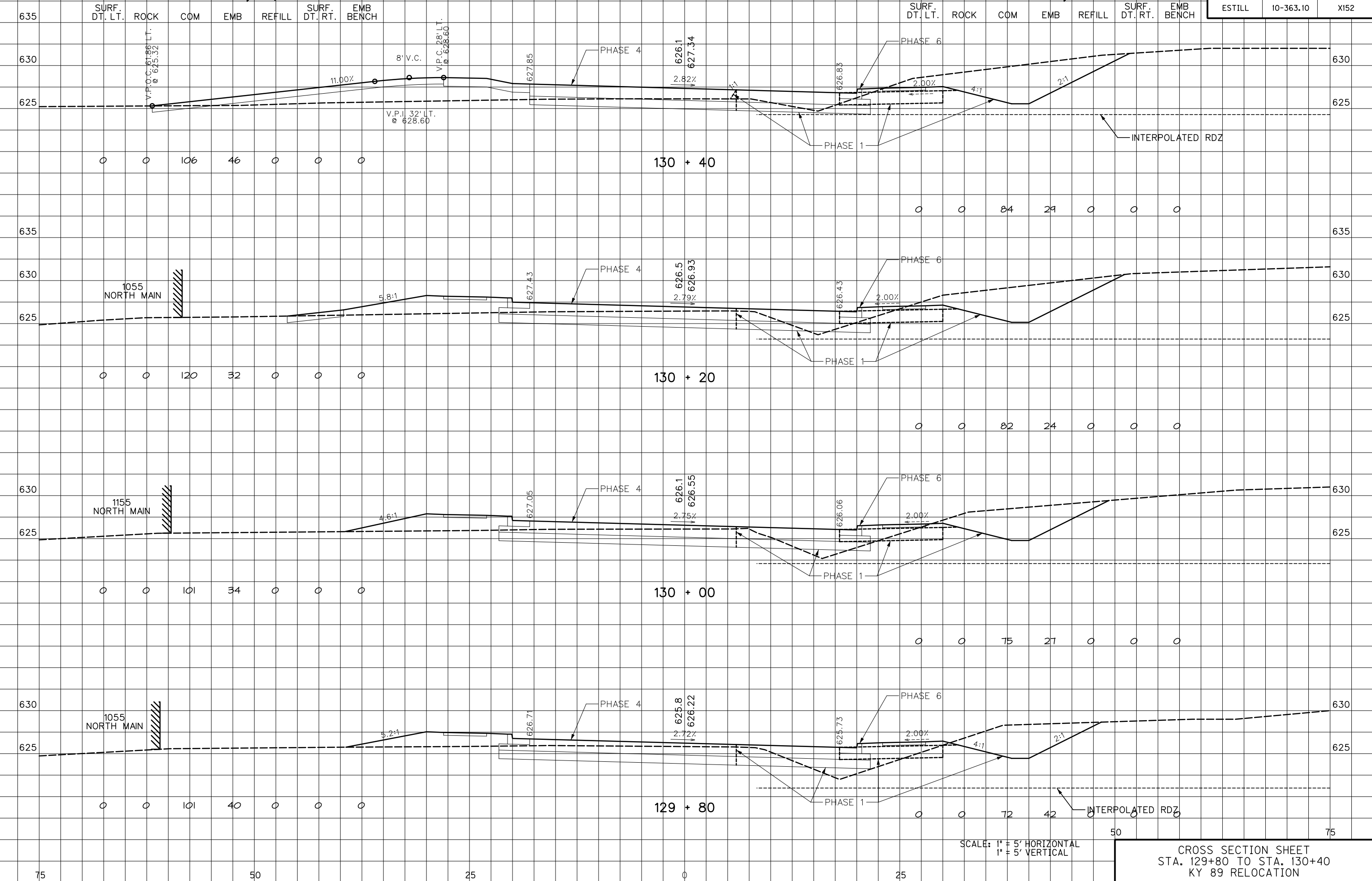
SCALE: 1" = 5' HORIZONTAL
1" = 5' VERTICAL

CROSS SECTION SHEET
STA. 129+20 TO STA. 129+60
KY 89 RELOCATION

MicroStation v8.11.7.443
 E-SHEET NAME: X15100XS
 USER: jsilgantz
 DATE PLOTTED: December 2, 2012
 FILE NAME: T:\2498\PHASE2\SOUTHEND\SHEETS\XSECTS\X15100XS.DGN

END AREAS, SQ. FT.

VOLUMES, CU. YD.



CROSS SECTION SHEET
STA. 129+80 TO STA. 130+40
KY 89 RELOCATION

MicroStation v8.11.7.443
 E-SHEET NAME: X15200XS
 USER: jsilganitz
 DATE PLOTTED: December 2, 2012
 FILE NAME: T:\2498 PHASE2\SOUTHEND\SHEETS\XSECTS\X15200XS.DGN

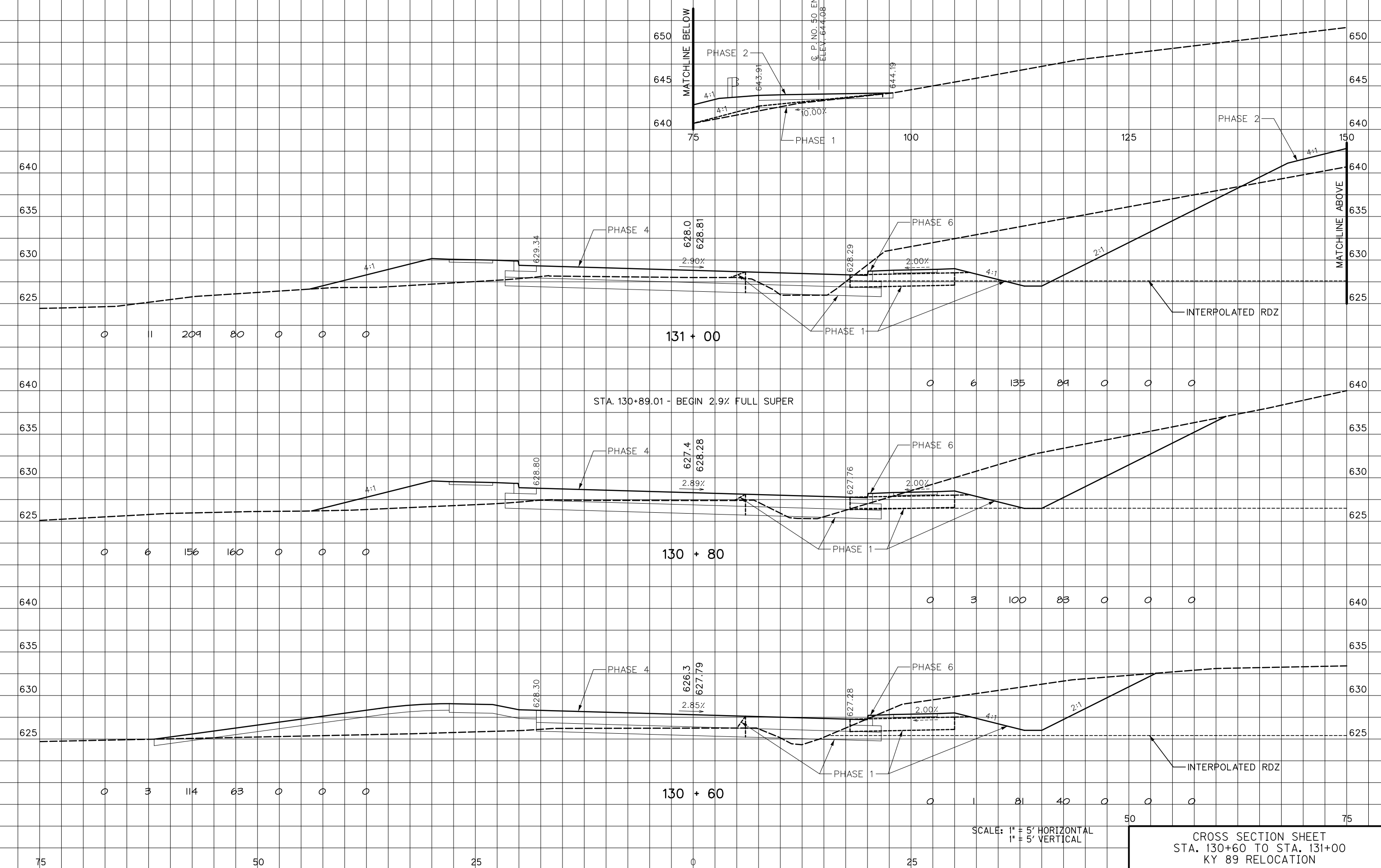
END AREAS, SQ. FT.

VOLUMES, CU. YD.

COUNTY OF	ITEM NO.	SHEET NO.
ESTILL	10-363.10	X153

SURF. DT. LT. ROCK COM EMB REFILL SURF. DT. RT. EMB BENCH

SURF. DT. LT. ROCK COM EMB REFILL SURF. DT. RT. EMB BENCH



STA. 130+89.01 - BEGIN 2.9% FULL SUPER

CROSS SECTION SHEET
STA. 130+60 TO STA. 131+00
KY 89 RELOCATION

MicroStation v8.11.7.443
 E-SHEET NAME: X15300XS
 USER: jsilganitz
 DATE PLOTTED: December 2, 2012
 FILE NAME: T:\2498 PHASE2\SOUTHEND\SHEETS\XSECTS\X15300XS.DGN

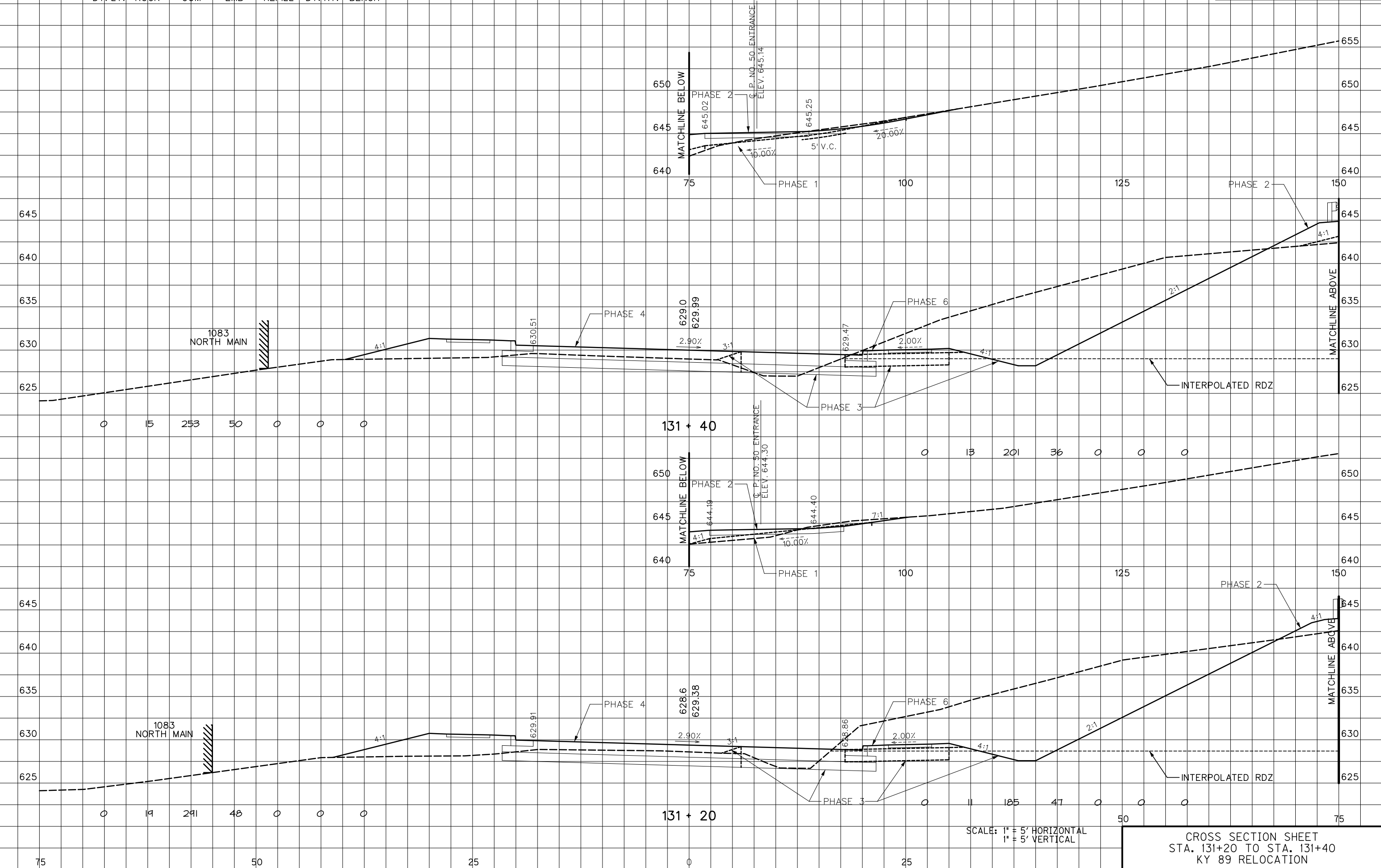
END AREAS, SQ. FT.

VOLUMES, CU. YD.

COUNTY OF	ITEM NO.	SHEET NO.
ESTILL	10-363.10	X154

SURF. DT. LT. ROCK COM EMB REFILL SURF. DT. RT. EMB BENCH

SURF. DT. LT. ROCK COM EMB REFILL SURF. DT. RT. EMB BENCH



MicroStation v8.11.7.443 E-SHEET NAME: X15400XS USER: jsilganitz DATE PLOTTED: December 2, 2012 FILE NAME: T:\2498 PHASE2\SO\THEND\SHEETS\XSECTS\X15400XS.DGN

SCALE: 1" = 5' HORIZONTAL
1" = 5' VERTICAL

CROSS SECTION SHEET
STA. 131+20 TO STA. 131+40
KY 89 RELOCATION

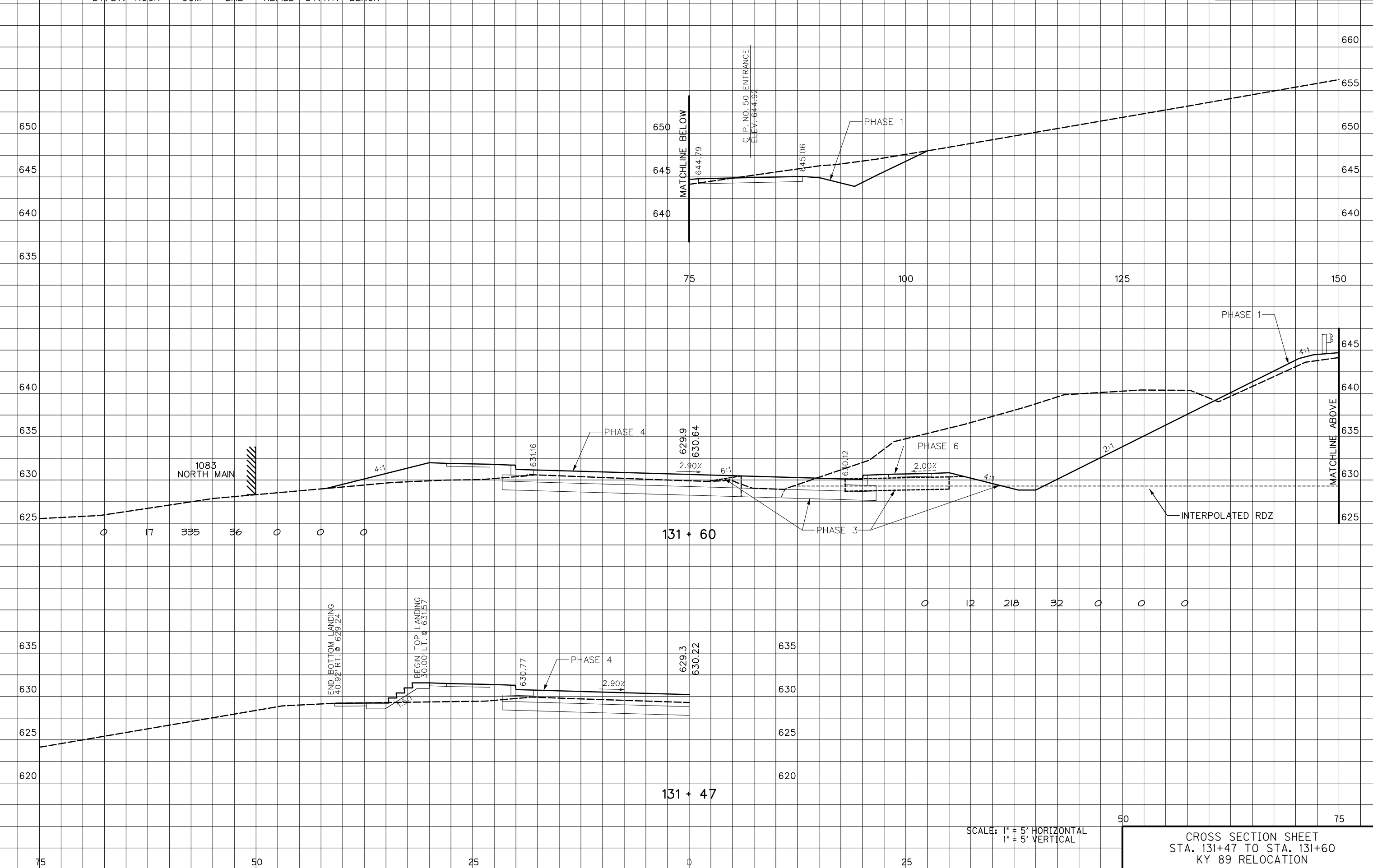
END AREAS, SQ. FT.

VOLUMES, CU. YD.

COUNTY OF	ITEM NO.	SHEET NO.
ESTILL	10-363.10	X155

SURF. DT. LT. ROCK COM EMB REFILL SURF. DT. RT. EMB BENCH

SURF. DT. LT. ROCK COM EMB REFILL SURF. DT. RT. EMB BENCH



MicroStation v8.11.7.443 E-SHEET NAME: X15500XS USER: jsilgantz DATE PLOTTED: December 2, 2012 FILE NAME: T:\2498 PHASE2\SOUTHEND\SHEETS\XSECTS\X15500XS.DGN

SCALE: 1" = 5' HORIZONTAL
1" = 5' VERTICAL

CROSS SECTION SHEET
STA. 131+47 TO STA. 131+60
KY 89 RELOCATION

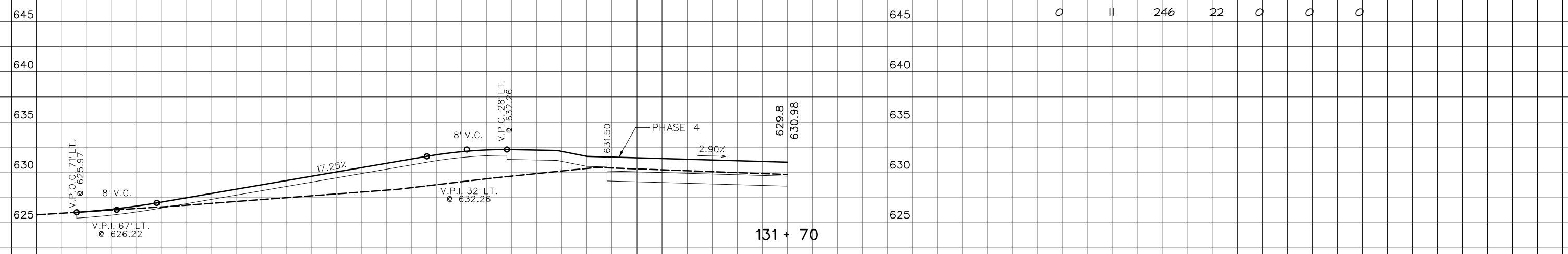
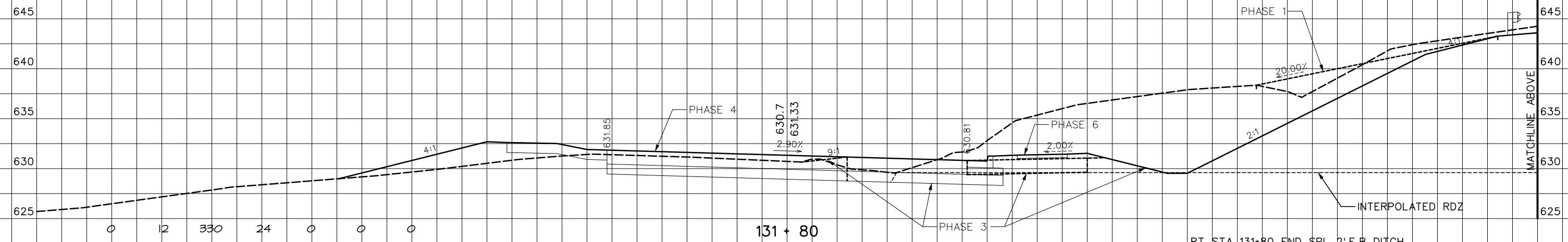
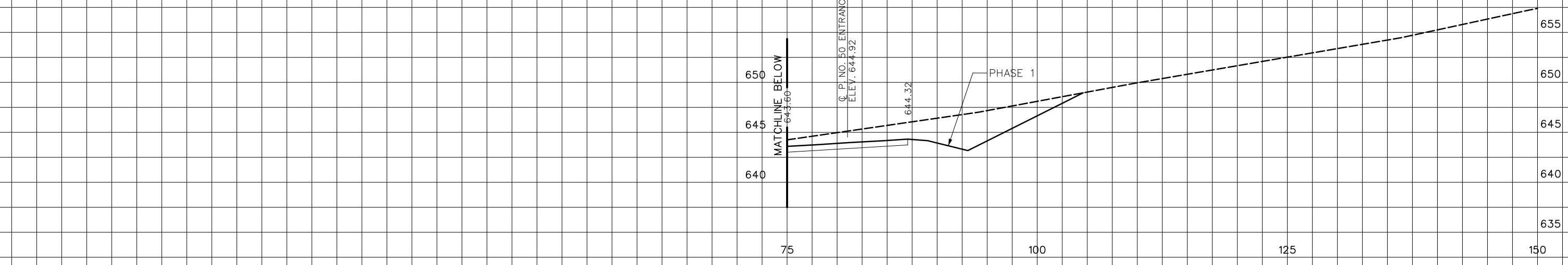
END AREAS, SQ. FT.

VOLUMES, CU. YD.

COUNTY OF	ITEM NO.	SHEET NO.
ESTILL	10-363.10	X156

SURF. DT. LT. ROCK COM EMB REFILL SURF. DT. RT. EMB BENCH

SURF. DT. LT. ROCK COM EMB REFILL SURF. DT. RT. EMB BENCH



SCALE: 1" = 5' HORIZONTAL
1" = 5' VERTICAL

CROSS SECTION SHEET
STA. 131+70 TO STA. 131+80
KY 89 RELOCATION

MicroStation v8.11.7.443
 E-SHEET NAME: X15600XS
 USER: jsilvantz
 DATE PLOTTED: December 2, 2012
 FILE NAME: T:\2498 PHASE2\SOUTHEND\SHEETS\XSECTS\X15600XS.DGN

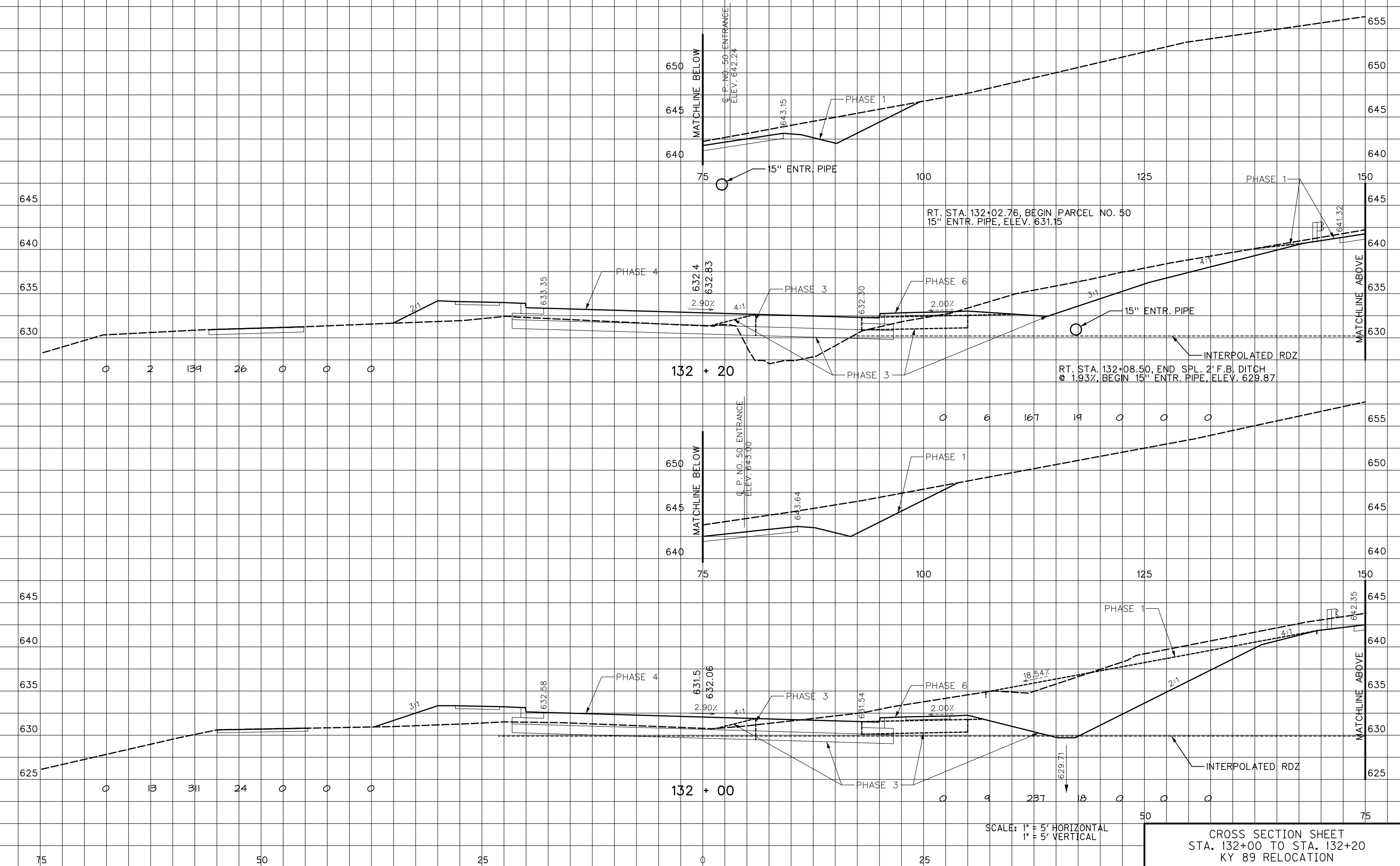
END AREAS, SQ. FT.

VOLUMES, CU. YD.

COUNTY OF	ITEM NO.	SHEET NO.
ESTILL	10-363.10	X157

SURF. DT. LT. ROCK COM EMB REFILL SURF. DT. RT. EMB BENCH

SURF. DT. LT. ROCK COM EMB REFILL SURF. DT. RT. EMB BENCH



MicroStation v8.11.7.443
 E-SHEET NAME: X15700XS
 USER: jsjlgantz
 DATE PLOTTED: December 2, 2012
 FILE NAME: T:\2498 PHASE2 SOUTHEND SHEETS\XSECTS\X15700XS.DGN

SCALE: 1" = 5' HORIZONTAL
1" = 5' VERTICAL

CROSS SECTION SHEET
STA. 132+00 TO STA. 132+20
KY 89 RELOCATION

END AREAS, SQ. FT.

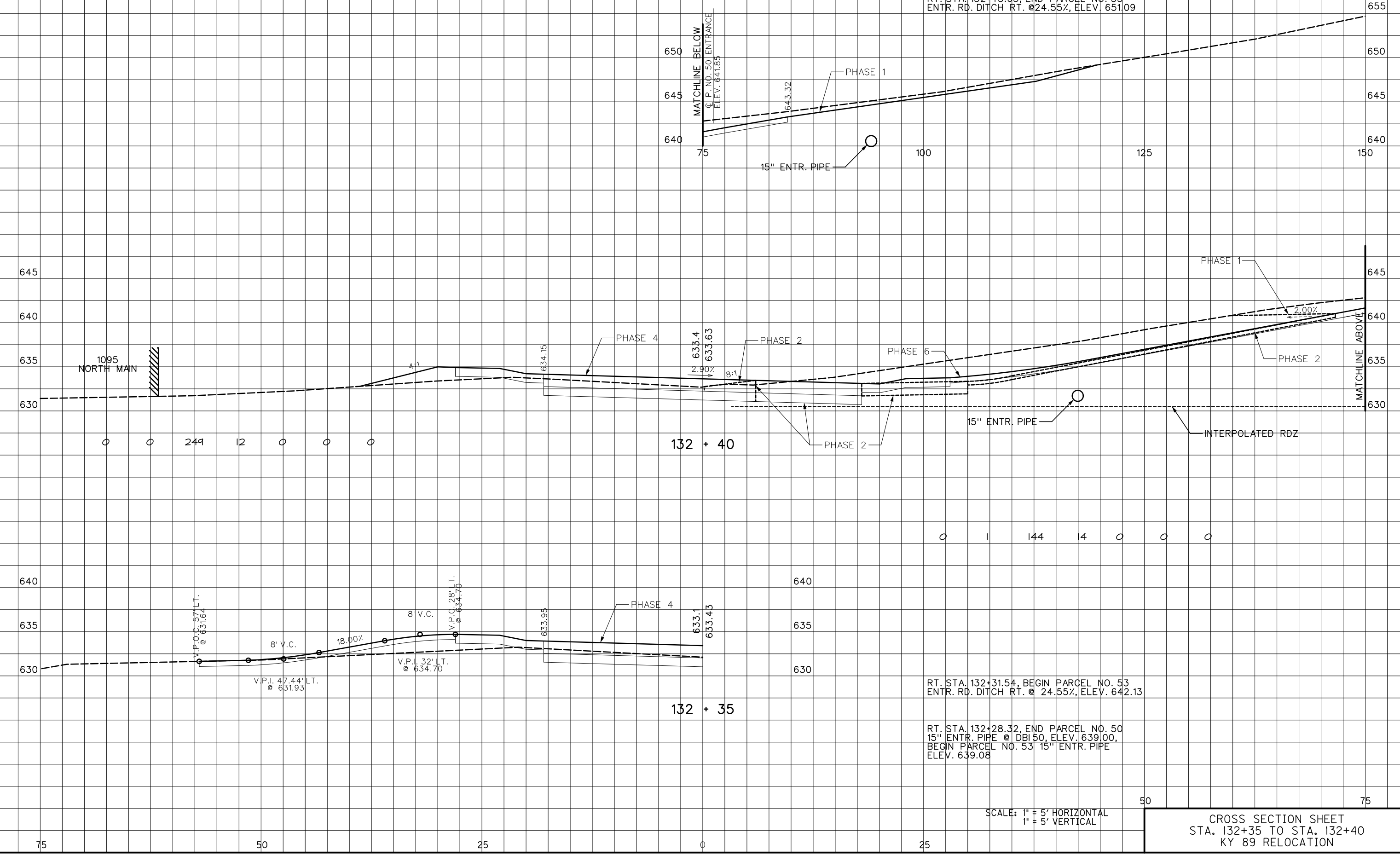
SURF. DT. LT.	ROCK	COM	EMB	REFILL	SURF. DT. RT.	EMB BENCH
---------------	------	-----	-----	--------	---------------	-----------

VOLUMES, CU. YD.

SURF. DT. LT.	ROCK	COM	EMB	REFILL	SURF. DT. RT.	EMB BENCH
---------------	------	-----	-----	--------	---------------	-----------

COUNTY OF	ITEM NO.	SHEET NO.
ESTILL	10-363.10	X158

RT. STA. 132+45.63, END PARCEL NO. 53
ENTR. RD. DITCH RT. @ 24.55%, ELEV. 651.09



RT. STA. 132+31.54, BEGIN PARCEL NO. 53
ENTR. RD. DITCH RT. @ 24.55%, ELEV. 642.13

RT. STA. 132+28.32, END PARCEL NO. 50
15" ENTR. PIPE @ DBI 50, ELEV. 639.00,
BEGIN PARCEL NO. 53 15" ENTR. PIPE
ELEV. 639.08

SCALE: 1" = 5' HORIZONTAL
1" = 5' VERTICAL

50 75
CROSS SECTION SHEET
STA. 132+35 TO STA. 132+40
KY 89 RELOCATION

MicroStation v8.11.7.443
 E-SHEET NAME: X15800XS
 USER: jsjugantz
 DATE PLOTTED: December 2, 2012
 FILE NAME: T:\2498 PHASE2\SOUTHEND\SHEETS\XSECTS\X15800XS.DGN

END AREAS, SQ. FT.

SURF. DT. LT.	ROCK	COM	EMB	REFILL	SURF. DT. RT.	EMB BENCH
---------------	------	-----	-----	--------	---------------	-----------

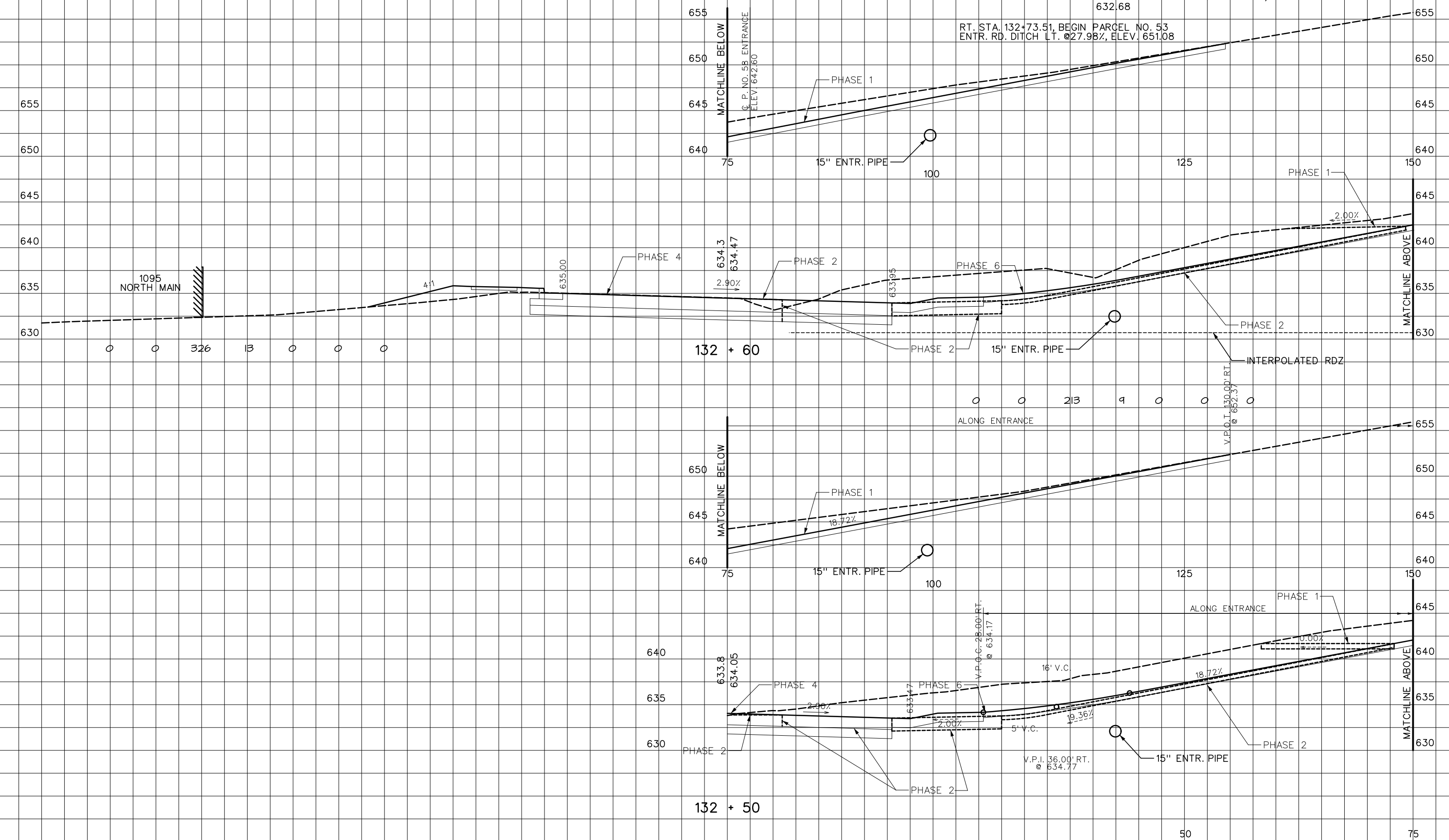
VOLUMES, CU. YD.

SURF. DT. LT.	ROCK	COM	EMB	REFILL	SURF. DT. RT.	EMB BENCH
---------------	------	-----	-----	--------	---------------	-----------

COUNTY OF	ITEM NO.	SHEET NO.
ESTILL	10-363.10	X159

RT. STA. 132+79, END 15" ENTR. PIPE,
 BEGIN SPL. 2" F.B. DITCH @ 5.59%, ELEV. 632.68

RT. STA. 132+73.51, BEGIN PARCEL NO. 53
 ENTR. RD. DITCH LT. @ 27.98%, ELEV. 651.08



75	50	25	0	25	50	75
----	----	----	---	----	----	----

SCALE: 1" = 5' HORIZONTAL
 1" = 5' VERTICAL

CROSS SECTION SHEET
 STA. 135+50 TO STA. 132+60
 KY 89 RELOCATION

MicroStation v8.11.7.443
 E-SHEET NAME: X15900XS
 USER: jsjugantz
 DATE PLOTTED: December 2, 2012
 FILE NAME: T:\2498 PHASE2\SOUTHEND\SHEETS\XSECTS\X15900XS.DGN

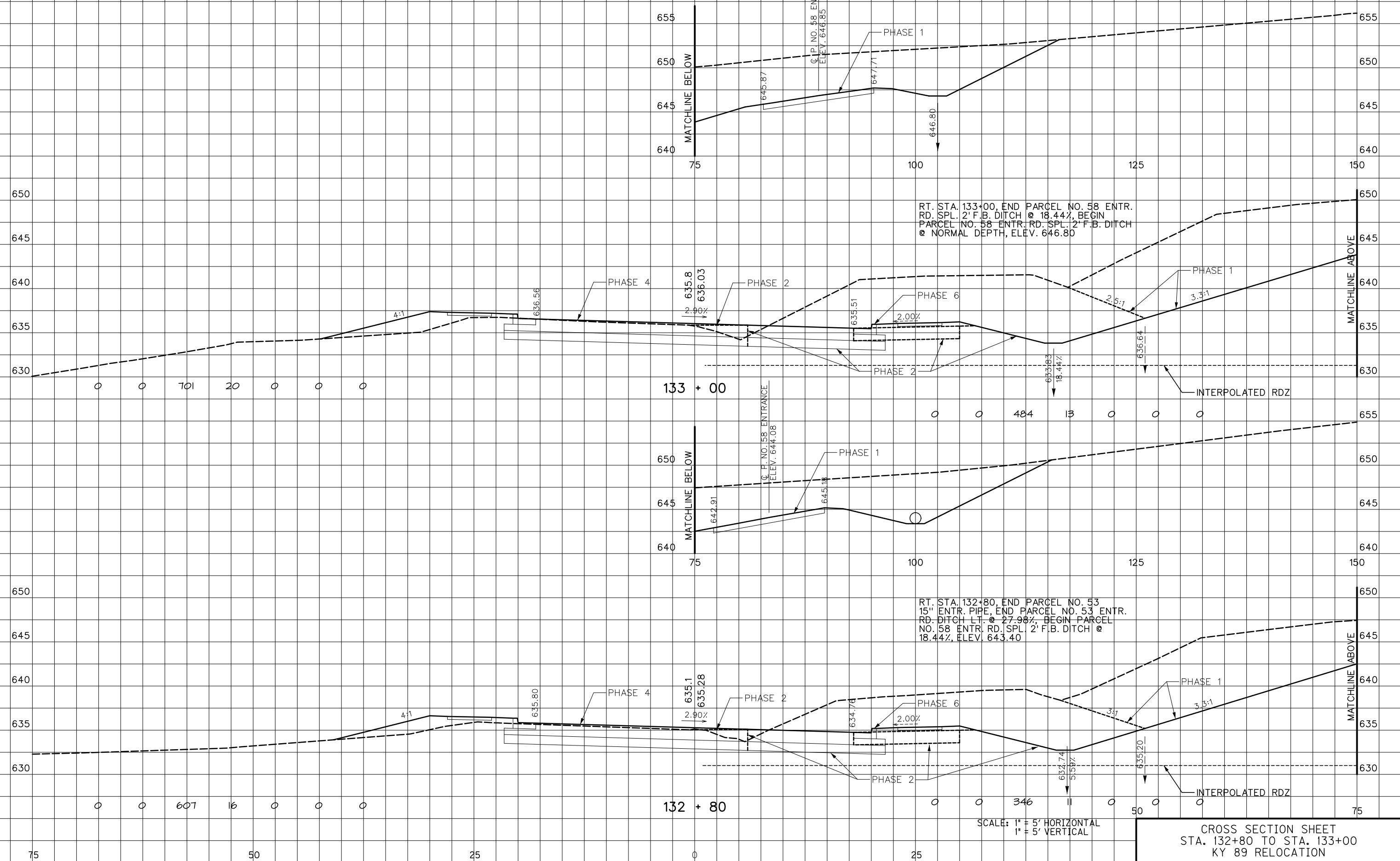
END AREAS, SQ. FT.

VOLUMES, CU. YD.

COUNTY OF	ITEM NO.	SHEET NO.
ESTILL	10-363.10	X160

SURF. DT. LT. ROCK COM EMB REFILL SURF. DT. RT. EMB BENCH

SURF. DT. LT. ROCK COM EMB REFILL SURF. DT. RT. EMB BENCH



FILE NAME: T:\2498\PHASE2\SOUTHEND\SHEETS\XSECTS\X160XS.DGN
 USER: jsugantz
 DATE PLOTTED: December 2, 2012
 E-SHEET NAME: X16000XS
 MicroStation v8.11.7.443

CROSS SECTION SHEET
 STA. 132+80 TO STA. 133+00
 KY 89 RELOCATION

SCALE: 1" = 5' HORIZONTAL
 1" = 5' VERTICAL

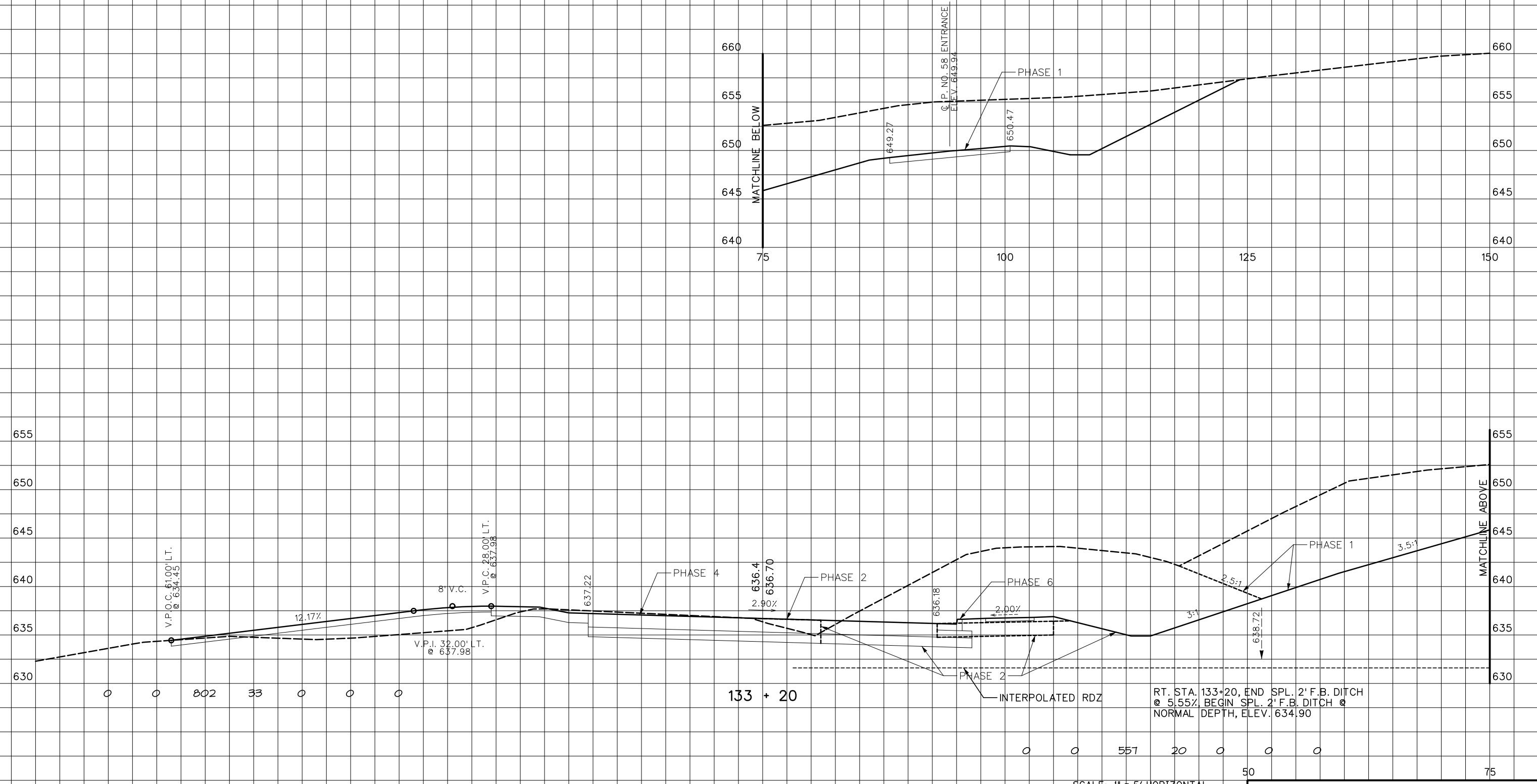
END AREAS, SQ. FT.

VOLUMES, CU. YD.

COUNTY OF	ITEM NO.	SHEET NO.
ESTILL	10-363.10	X161

SURF. DT. LT. ROCK COM EMB REFILL SURF. DT. RT. EMB BENCH

SURF. DT. LT. ROCK COM EMB REFILL SURF. DT. RT. EMB BENCH



FILE NAME: T:\2498 PHASE2\SOUTHEND\SHEETS\XSECTS\X161\X89XS.DGN

USER: jsugantz
DATE PLOTTED: December 2, 2012

E-SHEET NAME: X16100XS

MicroStation v8.11.7.443

CROSS SECTION SHEET
STA. 133+20
KY 89 RELOCATION

END AREAS, SQ. FT.

VOLUMES, CU. YD.

COUNTY OF	ITEM NO.	SHEET NO.
ESTILL	10-363.10	X162

SURF. DT. LT. ROCK COM EMB REFILL SURF. DT. RT. EMB BENCH

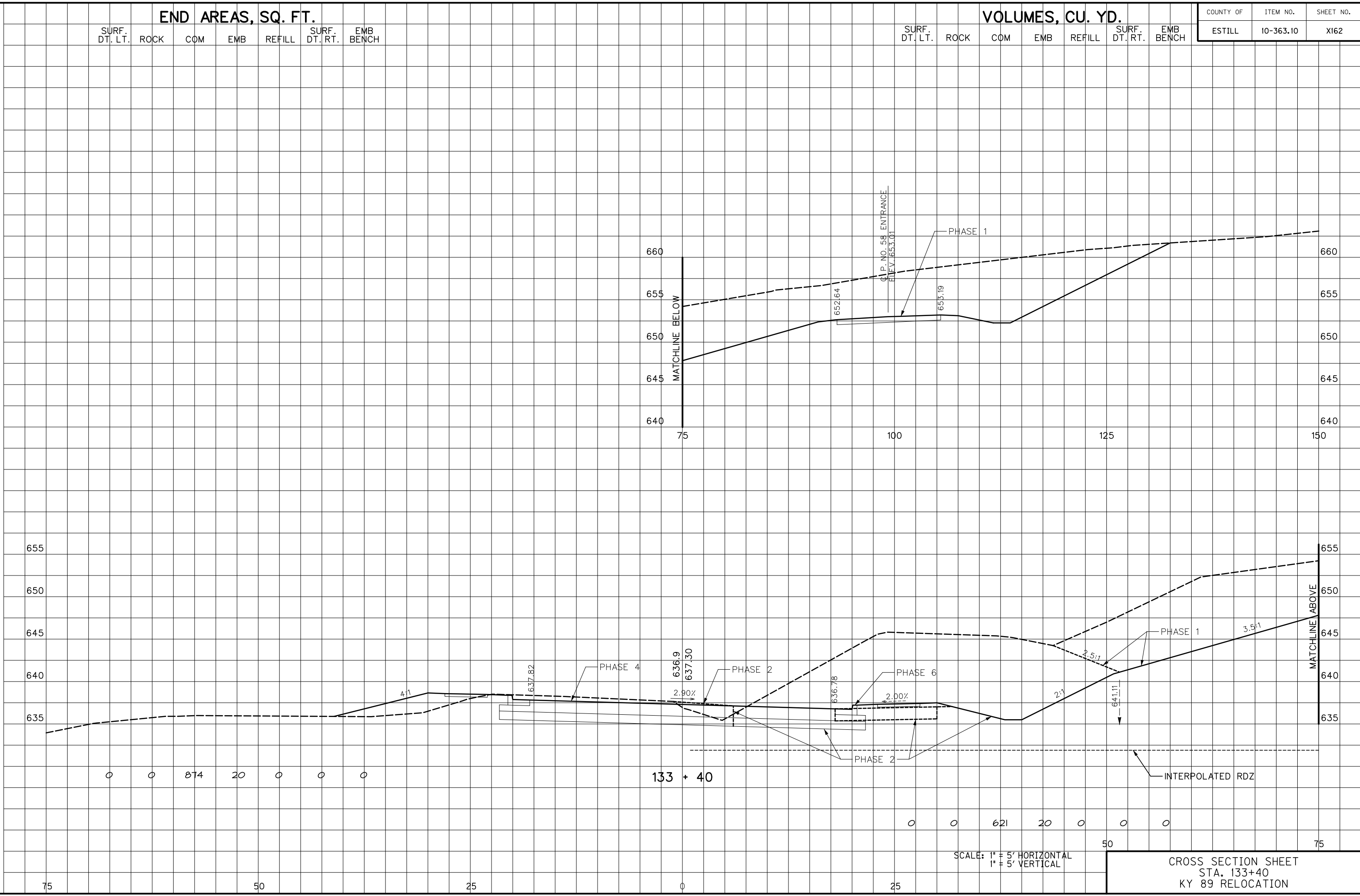
SURF. DT. LT. ROCK COM EMB REFILL SURF. DT. RT. EMB BENCH

FILE NAME: T:\2498 PHASE2\SOUTHEND\SHEETS\XSECTS\X89XS.DGN

USER: jsugantz
DATE PLOTTED: December 2, 2012

E-SHEET NAME: X16200XS

MicroStation v8.11.7.443



SCALE: 1" = 5' HORIZONTAL
1" = 5' VERTICAL

CROSS SECTION SHEET
STA. 133+40
KY 89 RELOCATION

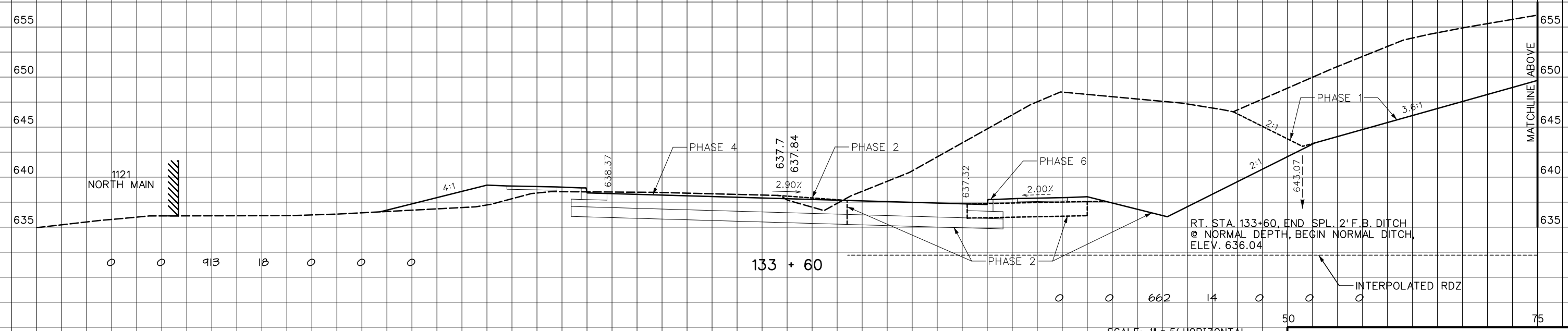
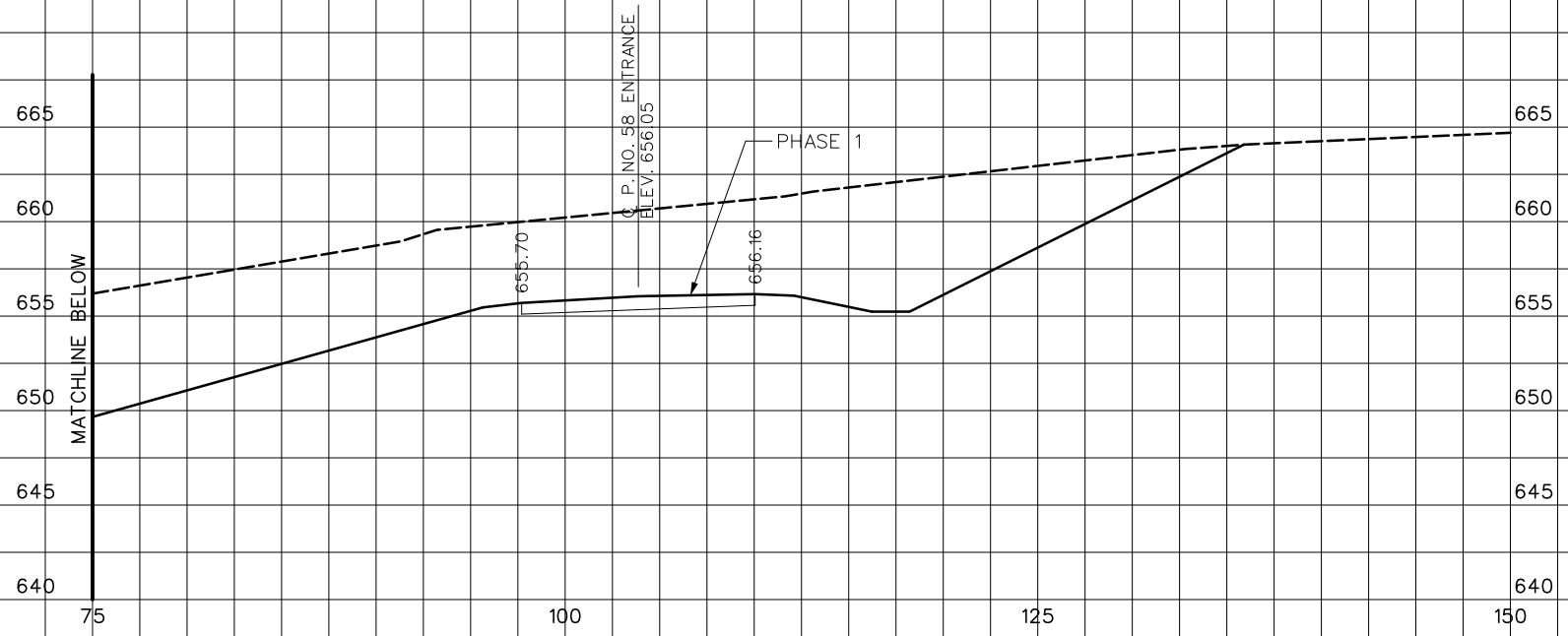
END AREAS, SQ. FT.

SURF. DT. LT. ROCK COM EMB REFILL SURF. DT. RT. EMB BENCH

VOLUMES, CU. YD.

SURF. DT. LT. ROCK COM EMB REFILL SURF. DT. RT. EMB BENCH

COUNTY OF	ITEM NO.	SHEET NO.
ESTILL	10-363.10	X163



SCALE: 1" = 5' HORIZONTAL
1" = 5' VERTICAL

CROSS SECTION SHEET
STA. 133+60
KY 89 RELOCATION

FILE NAME: T:\2498 PHASE2\SOUTHEND\SHEETS\XSECTS\X163\X89XS.DGN

USER: jsjugantz
DATE PLOTTED: December 2, 2012

E-SHEET NAME: X16300XS

MicroStation v8.11.7.443

END AREAS, SQ. FT.

SURF. DT. LT. ROCK COM EMB REFILL SURF. DT. RT. EMB BENCH

VOLUMES, CU. YD.

SURF. DT. LT. ROCK COM EMB REFILL SURF. DT. RT. EMB BENCH

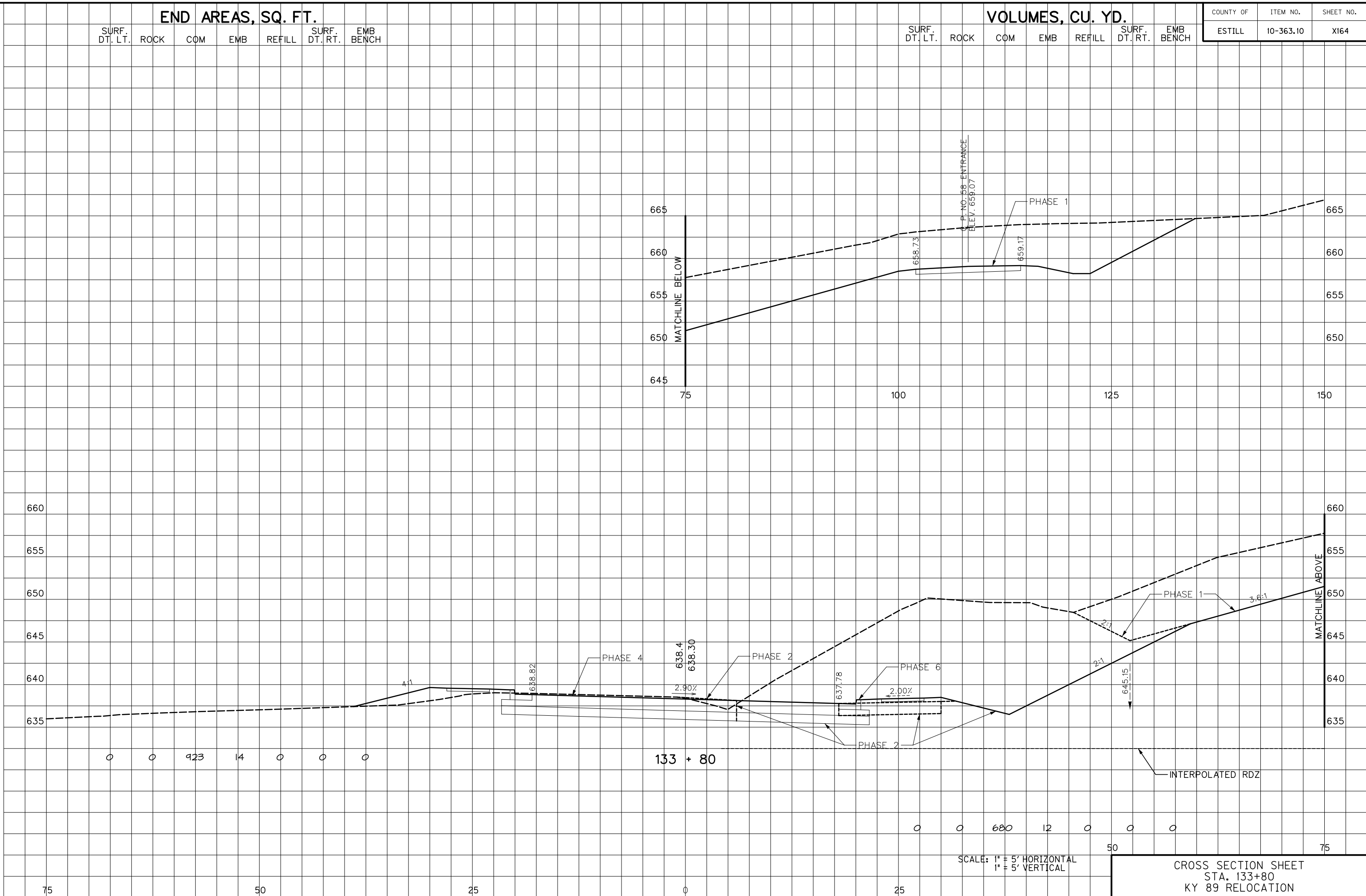
COUNTY OF	ITEM NO.	SHEET NO.
ESTILL	10-363.10	X164

FILE NAME: T:\2498 PHASE2\SOUTHEND\SHEETS\XSECTS\X89XS.DGN

USER: jsjagantz
DATE PLOTTED: December 2, 2012

E-SHEET NAME: X16400XS

MicroStation v8.11.7.443



SCALE: 1" = 5' HORIZONTAL
1" = 5' VERTICAL

CROSS SECTION SHEET
STA. 133+80
KY 89 RELOCATION

END AREAS, SQ. FT.

VOLUMES, CU. YD.

COUNTY OF	ITEM NO.	SHEET NO.
ESTILL	10-363.10	X165

SURF. DT. LT. ROCK COM EMB REFILL SURF. DT. RT. EMB BENCH

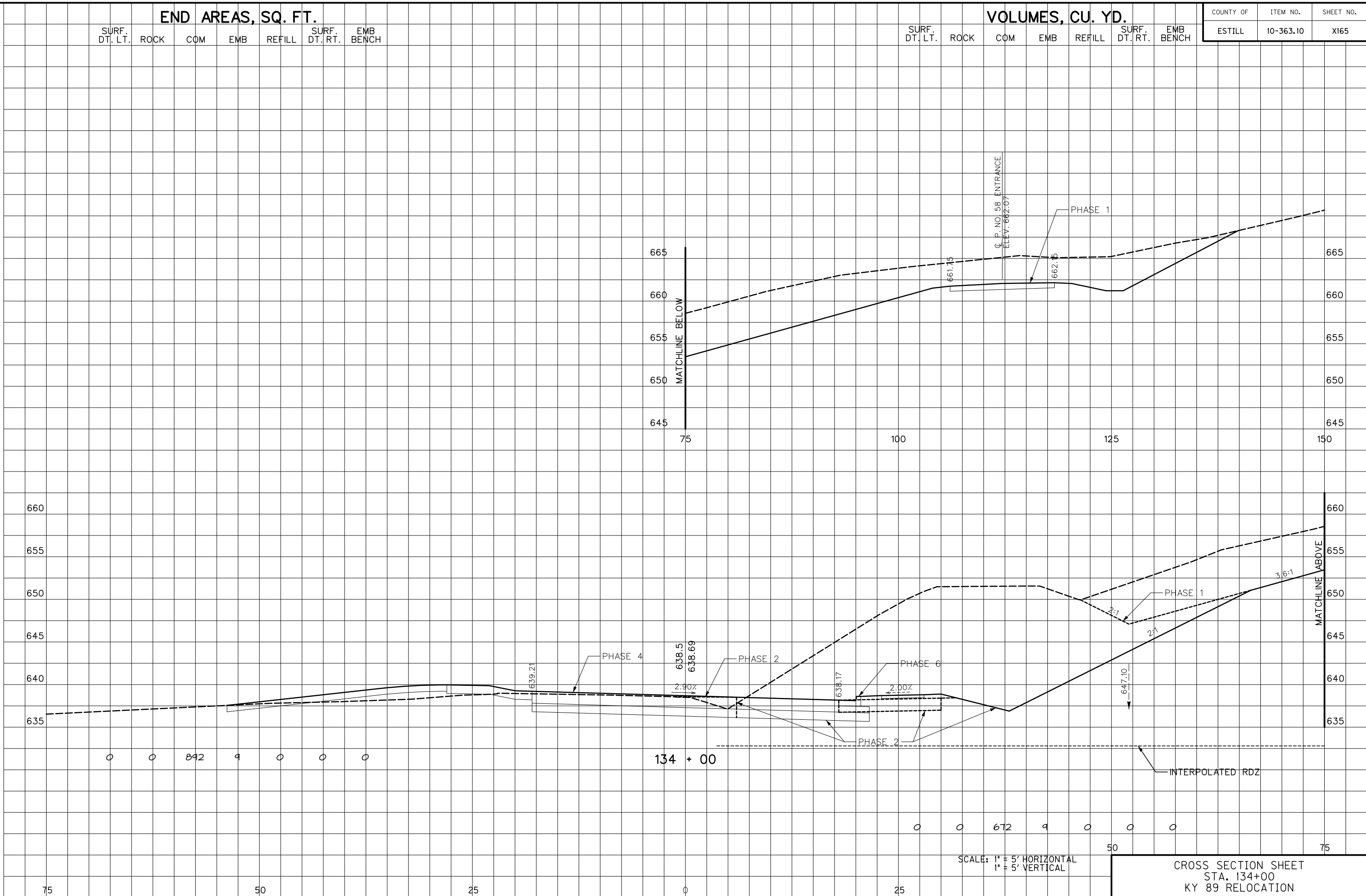
SURF. DT. LT. ROCK COM EMB REFILL SURF. DT. RT. EMB BENCH

FILE NAME: T:\2498 PHASE2\SOUTHEND\SHEETS\XSECTS\X165\X89XS.DGN

USER: jsjgantz
DATE PLOTTED: December 2, 2012

E-SHEET NAME: X16500XS

MicroStation v8.11.7.443



SCALE: 1" = 5' HORIZONTAL
1" = 5' VERTICAL

CROSS SECTION SHEET
STA. 134+00
KY 89 RELOCATION

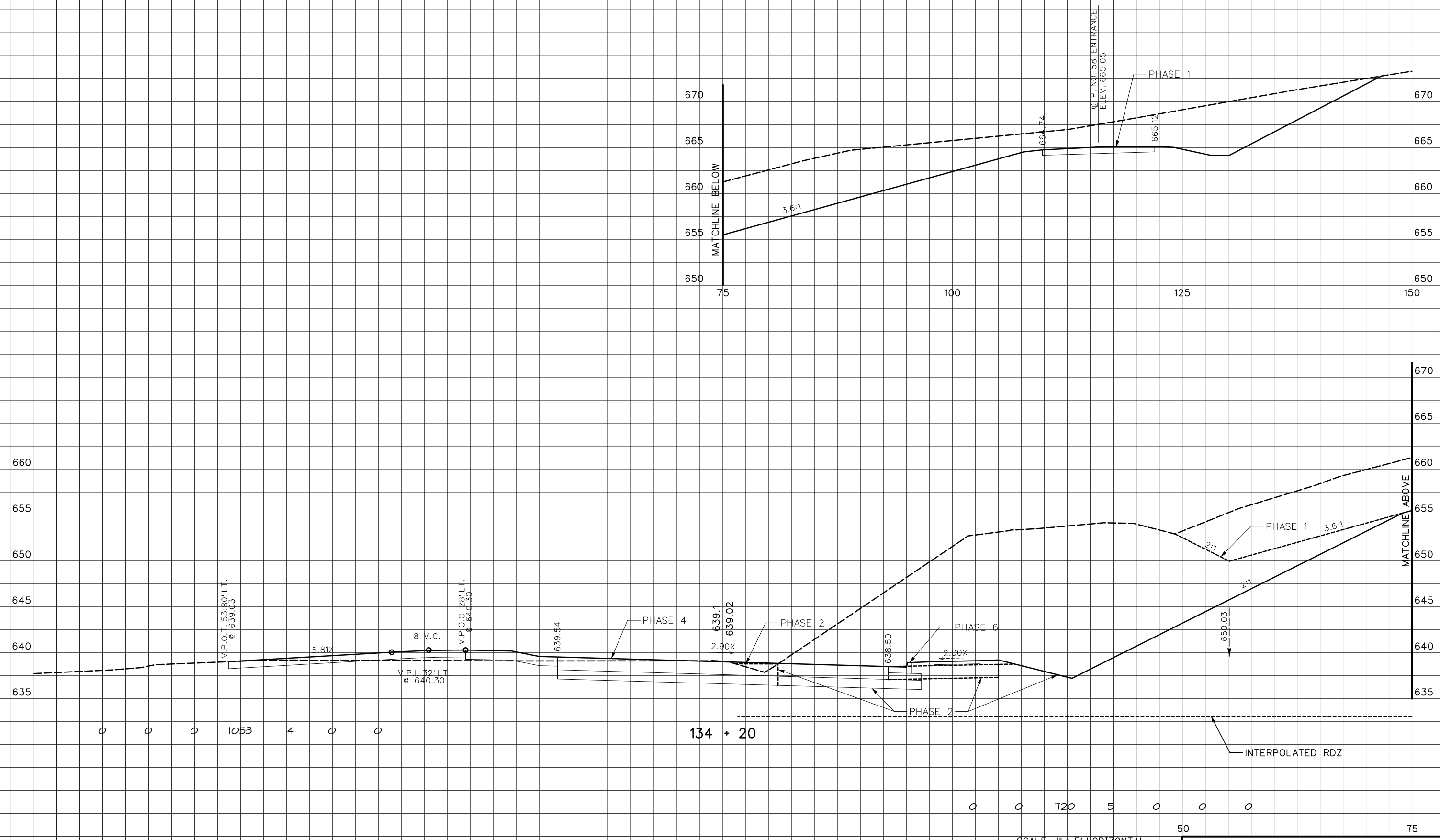
END AREAS, SQ. FT.

SURF. DT. LT. ROCK COM EMB REFILL SURF. DT. RT. EMB BENCH

VOLUMES, CU. YD.

SURF. DT. LT. ROCK COM EMB REFILL SURF. DT. RT. EMB BENCH

COUNTY OF	ITEM NO.	SHEET NO.
ESTILL	10-363.10	X166



SCALE: 1" = 5' HORIZONTAL
1" = 5' VERTICAL

CROSS SECTION SHEET
STA. 134+20
KY 89 RELOCATION

FILE NAME: T:\2498 PHASE2\SOUTHEND\SHEETS\XSECTS\X89XS.DGN

USER: jsjugantz
DATE PLOTTED: December 2, 2012

E-SHEET NAME: X16600XS

MicroStation v8.11.7.443

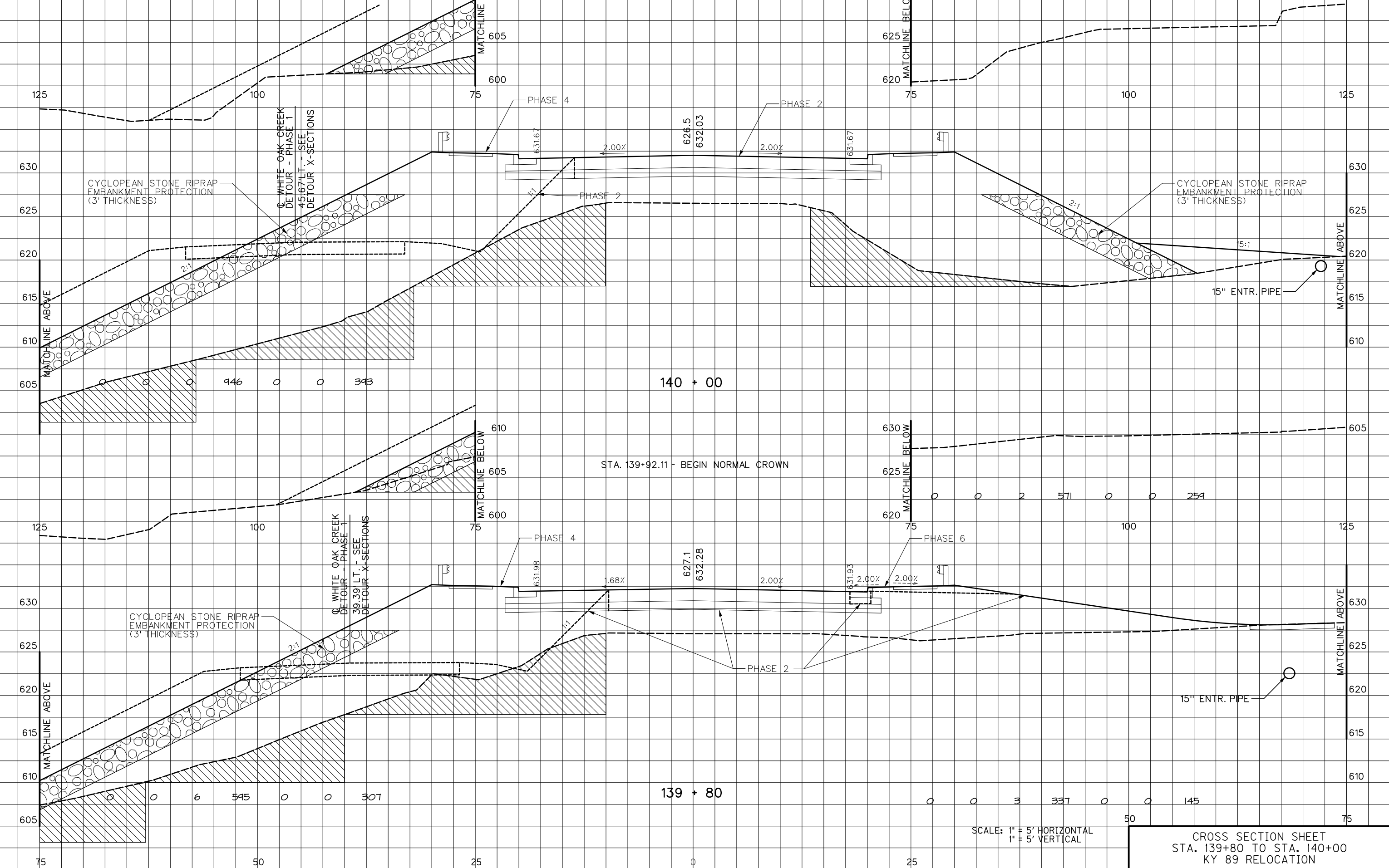
END AREAS, SQ. FT.

VOLUMES, CU. YD.

COUNTY OF	ITEM NO.	SHEET NO.
ESTILL	10-363.10	X188

SURF. DT. LT. ROCK COM EMB REFILL SURF. DT. RT. EMB BENCH

SURF. DT. LT. ROCK COM EMB REFILL SURF. DT. RT. EMB BENCH



MicroStation v8.11.7.443
 E-SHEET NAME: X18800XS
 USER: jsugantz
 DATE PLOTTED: December 2, 2012
 FILE NAME: T:\2498 PHASE2\SOUTHEND\SHEETS\XSECTS\X188XS.DGN

SCALE: 1" = 5' HORIZONTAL
 1" = 5' VERTICAL

CROSS SECTION SHEET
 STA. 139+80 TO STA. 140+00
 KY 89 RELOCATION

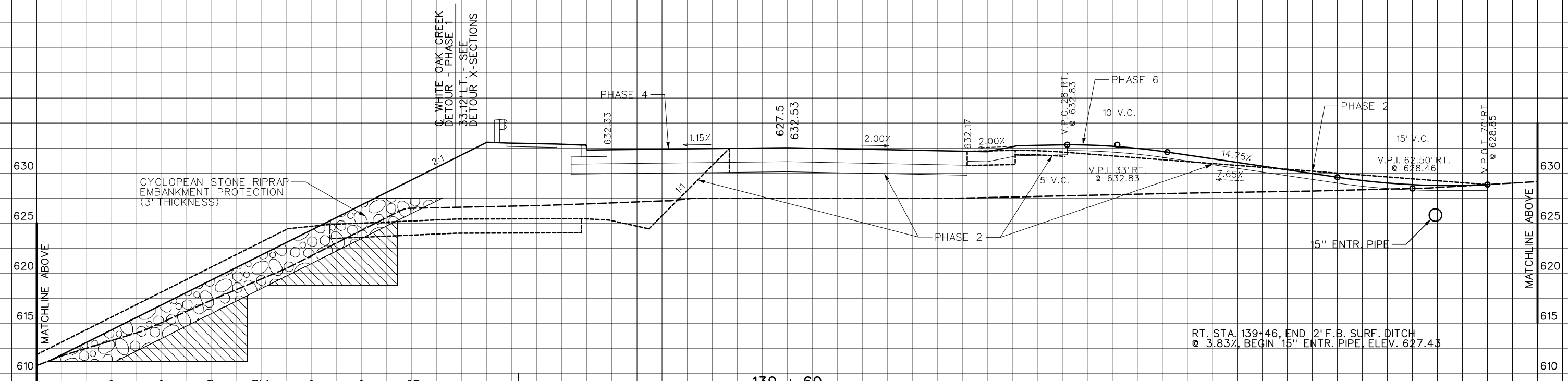
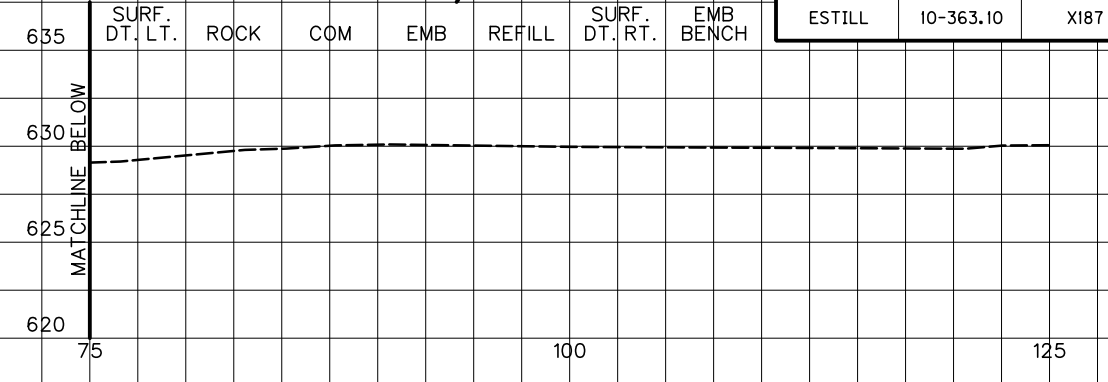
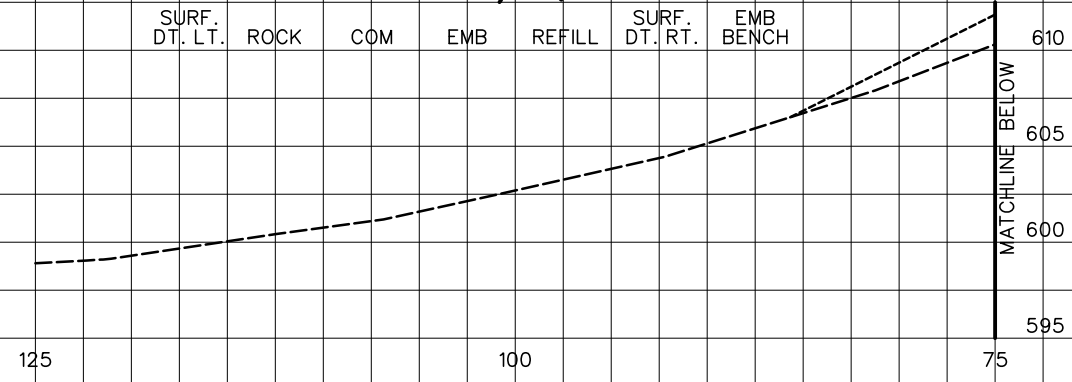
END AREAS, SQ. FT.

VOLUMES, CU. YD.

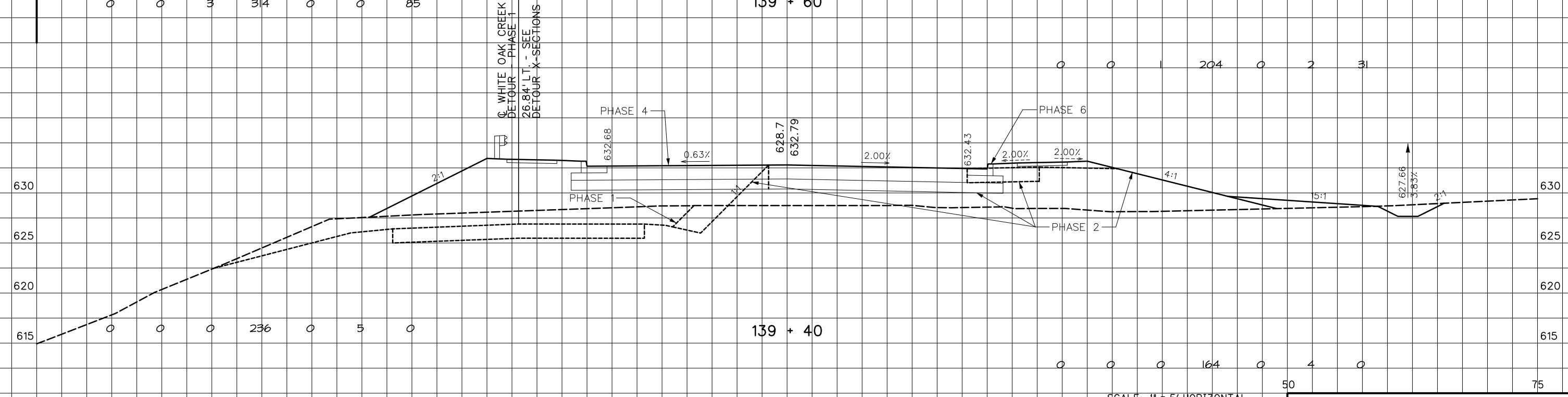
COUNTY OF	ITEM NO.	SHEET NO.
ESTILL	10-363.10	X187

SURF. DT. LT. ROCK COM EMB REFILL SURF. DT. RT. EMB BENCH

635 SURF. DT. LT. ROCK COM EMB REFILL SURF. DT. RT. EMB BENCH



RT. STA. 139+46, END 2' F.B. SURF. DITCH @ 3.83%, BEGIN 15" ENTR. PIPE, ELEV. 627.43



SCALE: 1" = 5' HORIZONTAL
1" = 5' VERTICAL

CROSS SECTION SHEET
STA. 139+40 TO STA. 139+60
KY 89 RELOCATION

MicroStation v8.11.7.443
 E-SHEET NAME: X18700XS
 USER: jsilganitz
 DATE PLOTTED: December 2, 2012
 FILE NAME: T:\2498 PHASE2\SO\THEND\SHEETS\XSECTS\X18700XS.DGN

END AREAS, SQ. FT.

VOLUMES, CU. YD.

COUNTY OF	ITEM NO.	SHEET NO.
ESTILL	10-363.10	X186

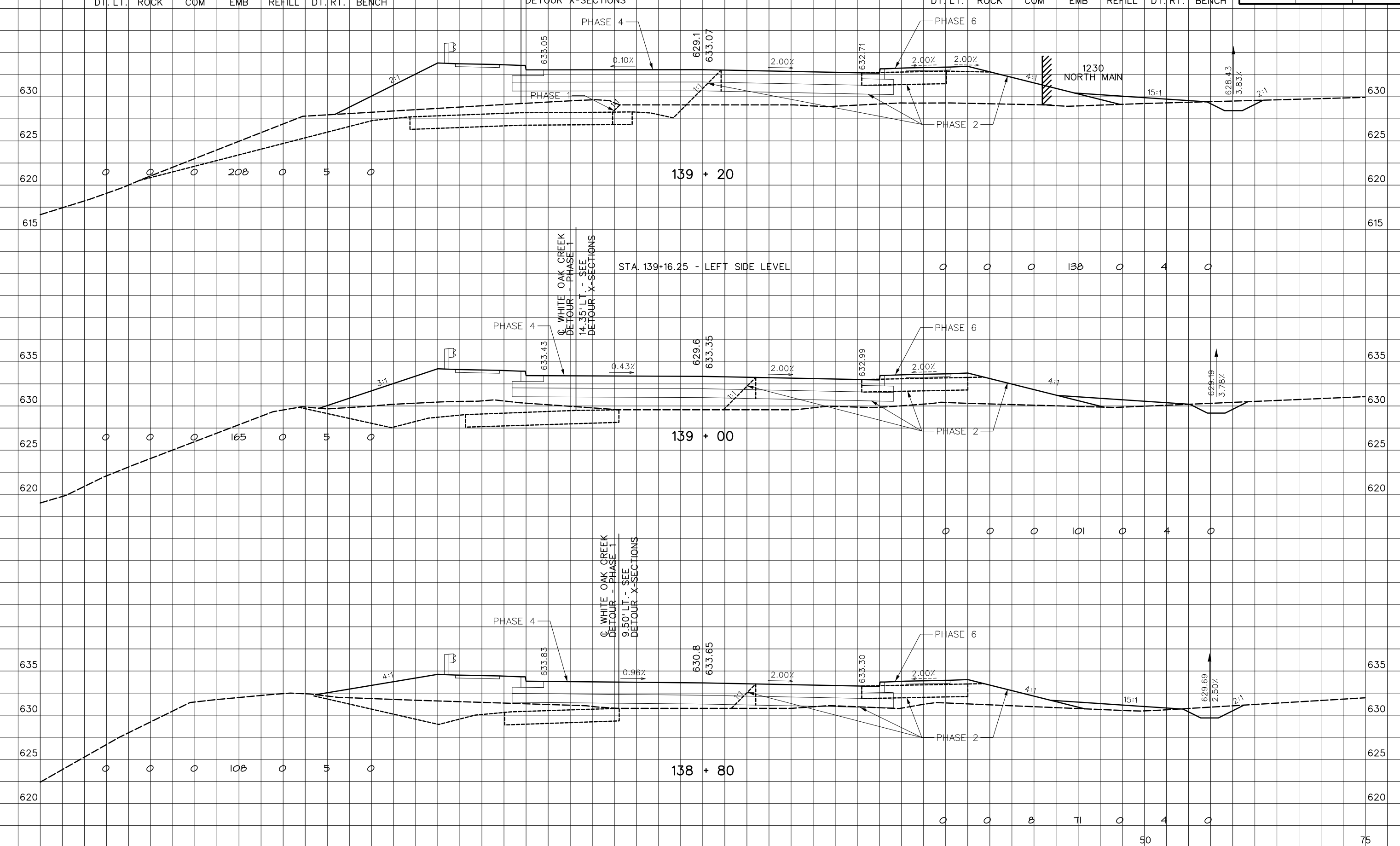
SURF. DT. LT. ROCK COM EMB REFILL SURF. DT. RT. EMB BENCH

SURF. DT. LT. ROCK COM EMB REFILL SURF. DT. RT. EMB BENCH

WHITE OAK CREEK
DETOUR - PHASE 1
20.57' LT. - SEE
DETOUR X-SECTIONS

WHITE OAK CREEK
DETOUR - PHASE 1
14.35' LT. - SEE
DETOUR X-SECTIONS

WHITE OAK CREEK
DETOUR - PHASE 1
9.50' LT. - SEE
DETOUR X-SECTIONS



SCALE: 1" = 5' HORIZONTAL
1" = 5' VERTICAL

CROSS SECTION SHEET
STA. 138+80 TO STA. 139+20
KY 89 RELOCATION

MicroStation v8.11.7.443
E-SHEET NAME: X18600XS
USER: jsugantz
DATE PLOTTED: December 2, 2012
FILE NAME: T:\2498 PHASE2\SOUTHEND\SHEETS\XSECTS\X186XS.DGN

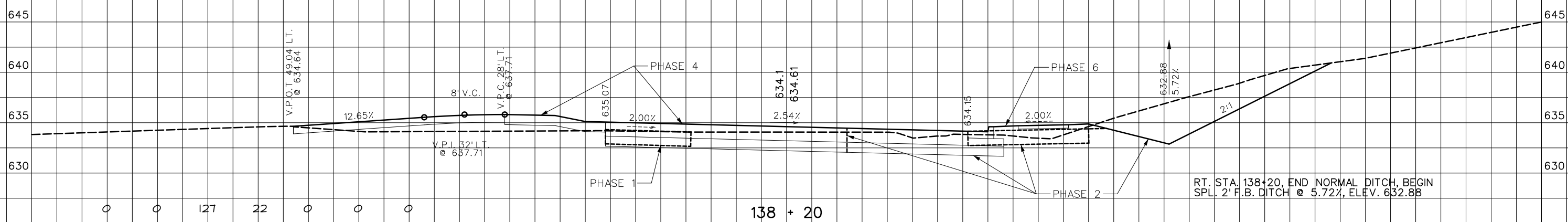
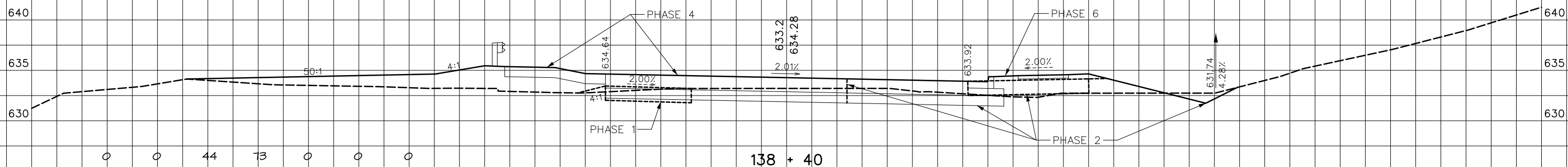
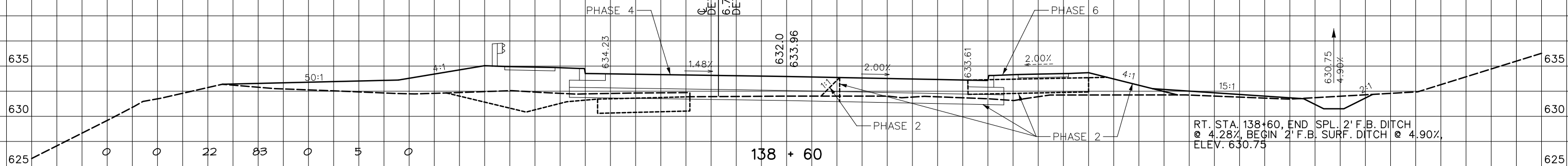
END AREAS, SQ. FT.

VOLUMES, CU. YD.

COUNTY OF	ITEM NO.	SHEET NO.
ESTILL	10-363.10	X185

SURF. DT. LT. ROCK COM EMB REFILL SURF. DT. RT. EMB BENCH

SURF. DT. LT. ROCK COM EMB REFILL SURF. DT. RT. EMB BENCH



SCALE: 1" = 5' HORIZONTAL
1" = 5' VERTICAL

CROSS SECTION SHEET
STA. 138+20 TO STA. 138+60
KY 89 RELOCATION

MicroStation v8.11.7.443
E-SHEET NAME: X18500XS
USER: jsilganitz
DATE PLOTTED: December 2, 2012
FILE NAME: T:\2498 PHASE2\SOUTHEND\SHEETS\XSECTS\X185XS.DGN

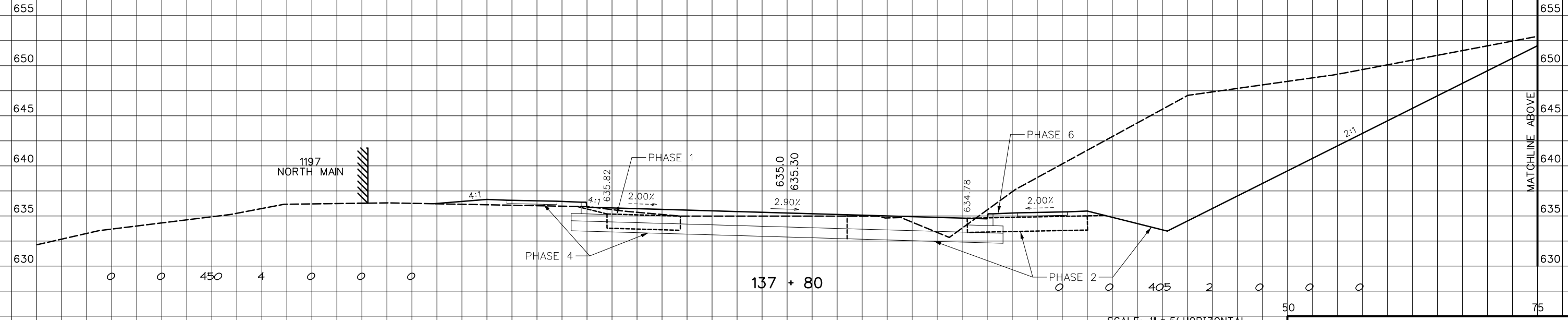
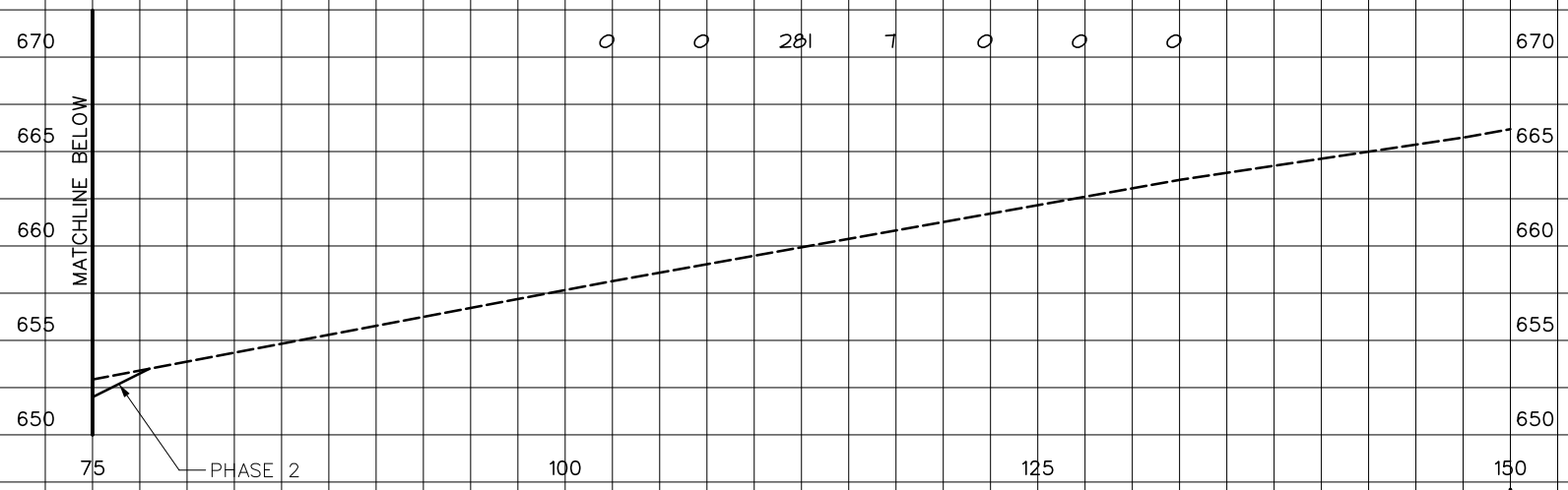
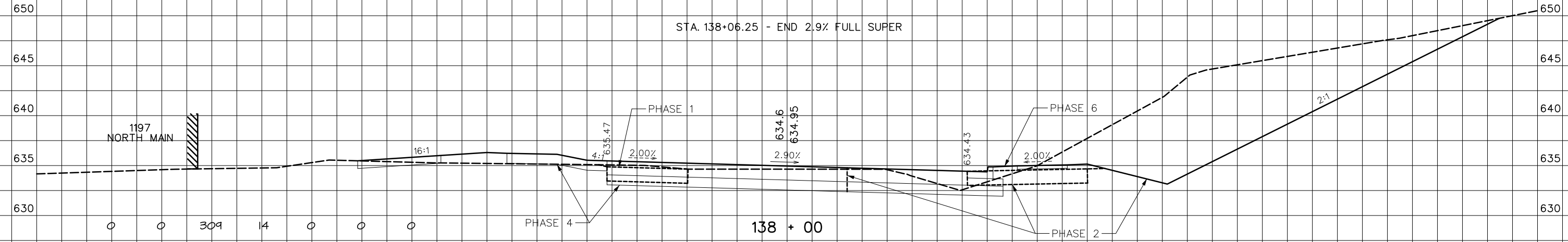
END AREAS, SQ. FT.

VOLUMES, CU. YD.

COUNTY OF	ITEM NO.	SHEET NO.
ESTILL	10-363.10	X184

SURF. DT. LT. ROCK COM EMB REFILL SURF. DT. RT. EMB BENCH

SURF. DT. LT. ROCK COM EMB REFILL SURF. DT. RT. EMB BENCH



SCALE: 1" = 5' HORIZONTAL
1" = 5' VERTICAL

CROSS SECTION SHEET
STA. 137+80 TO STA. 138+00
KY 89 RELOCATION

FILE NAME: T:\2498 PHASE2\SOUTHEND\SHEETS\XSECTS\X184XS.DGN

USER: JSJugantz
DATE PLOTTED: December 2, 2012

E-SHEET NAME: X18400XS

MicroStation v8.11.7.443

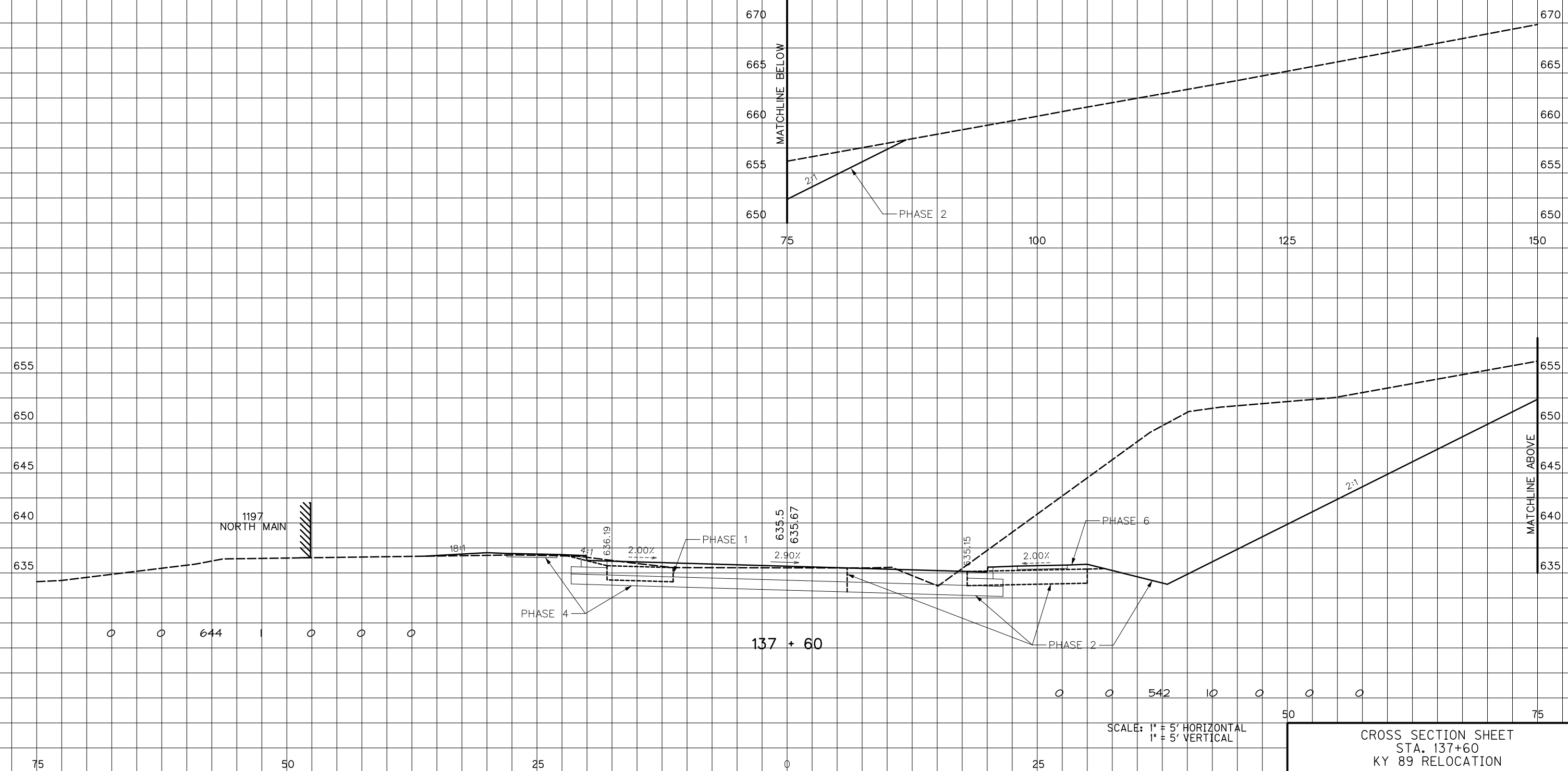
END AREAS, SQ. FT.

VOLUMES, CU. YD.

SURF. DT. LT. ROCK COM EMB REFILL SURF. DT. RT. EMB BENCH

SURF. DT. LT. ROCK COM EMB REFILL SURF. DT. RT. EMB BENCH

COUNTY OF	ITEM NO.	SHEET NO.
ESTILL	10-363.10	X183



FILE NAME: T:\2498 PHASE2\SOUTHEND\SHEETS\XSECTS\X183XS.DGN

USER: jsugantz
DATE PLOTTED: December 2, 2012

E-SHEET NAME: X18300XS

MicroStation v8.11.7.443

CROSS SECTION SHEET
STA. 137+60
KY 89 RELOCATION

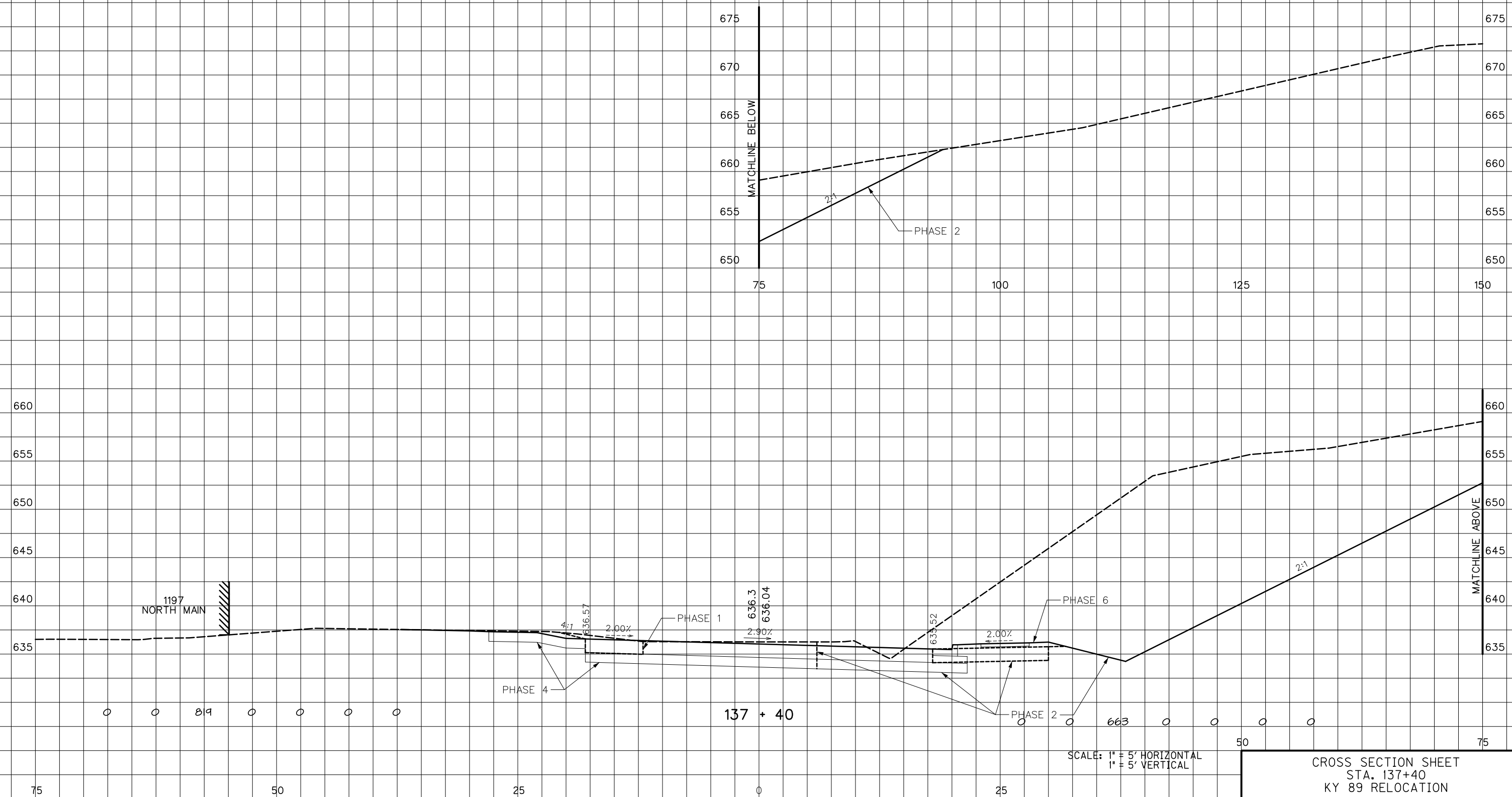
END AREAS, SQ. FT.

VOLUMES, CU. YD.

COUNTY OF	ITEM NO.	SHEET NO.
ESTILL	10-363.10	X182

SURF. DT. LT. ROCK COM EMB REFILL SURF. DT. RT. EMB BENCH

SURF. DT. LT. ROCK COM EMB REFILL SURF. DT. RT. EMB BENCH



FILE NAME: T:\2498 PHASE2\SOUTHEND\SHEETS\XSECTS\X182XS.DGN

USER: jsilganitz
DATE PLOTTED: December 2, 2012

E-SHEET NAME: X18200XS

MicroStation v8.11.7.443

SCALE: 1" = 5' HORIZONTAL
1" = 5' VERTICAL

CROSS SECTION SHEET
STA. 137+40
KY 89 RELOCATION

END AREAS, SQ. FT.

VOLUMES, CU. YD.

COUNTY OF	ITEM NO.	SHEET NO.
ESTILL	10-363.10	X181

SURF. DT. LT. ROCK COM EMB REFILL SURF. DT. RT. EMB BENCH

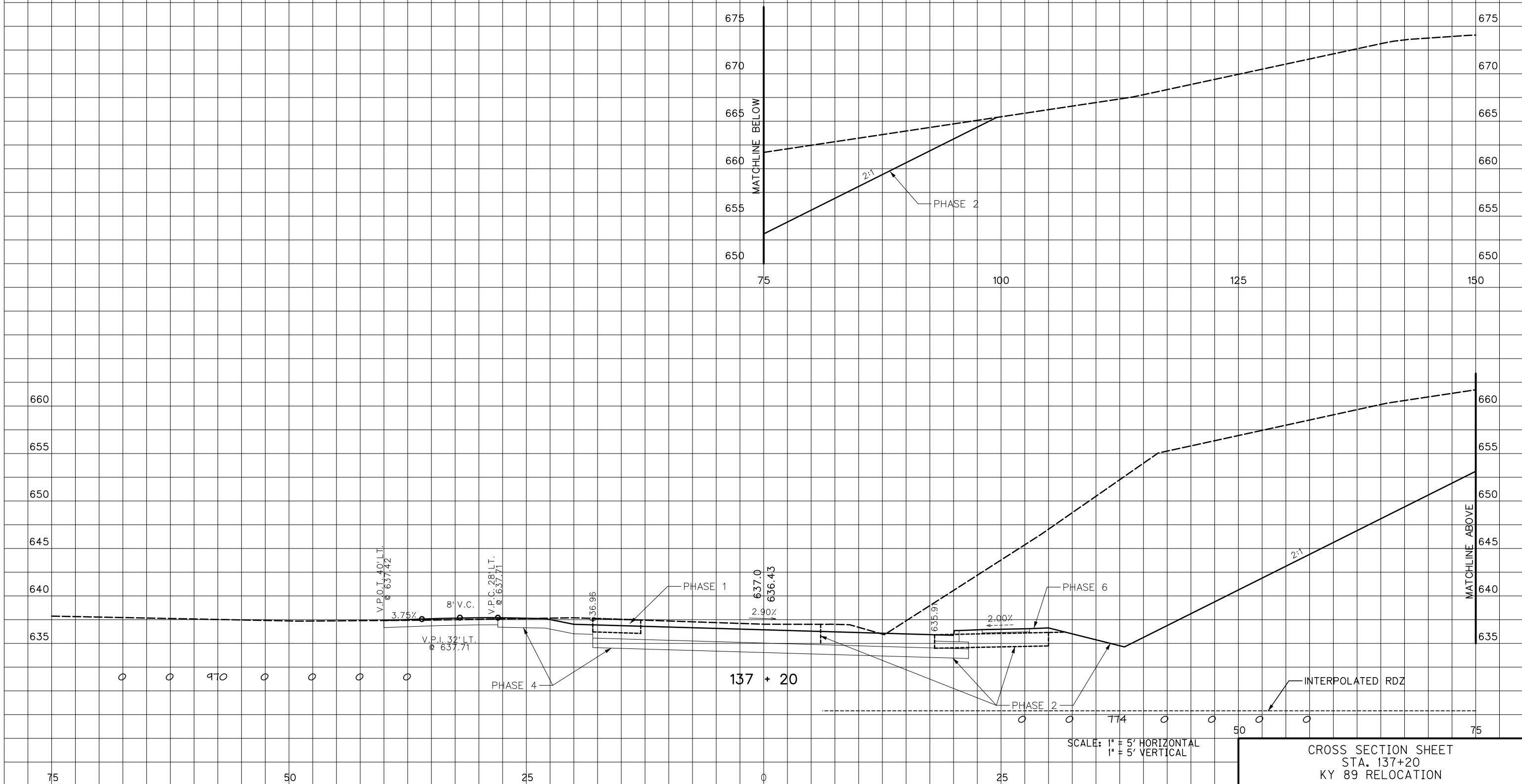
SURF. DT. LT. ROCK COM EMB REFILL SURF. DT. RT. EMB BENCH

FILE NAME: T:\2498 PHASE2\SOUTHEND\SHEETS\XSECTS\X181XS.DGN

USER: jsilgantz
DATE PLOTTED: December 2, 2012

E-SHEET NAME: X18100XS

MicroStation v8.11.7.443



CROSS SECTION SHEET
STA. 137+20
KY 89 RELOCATION

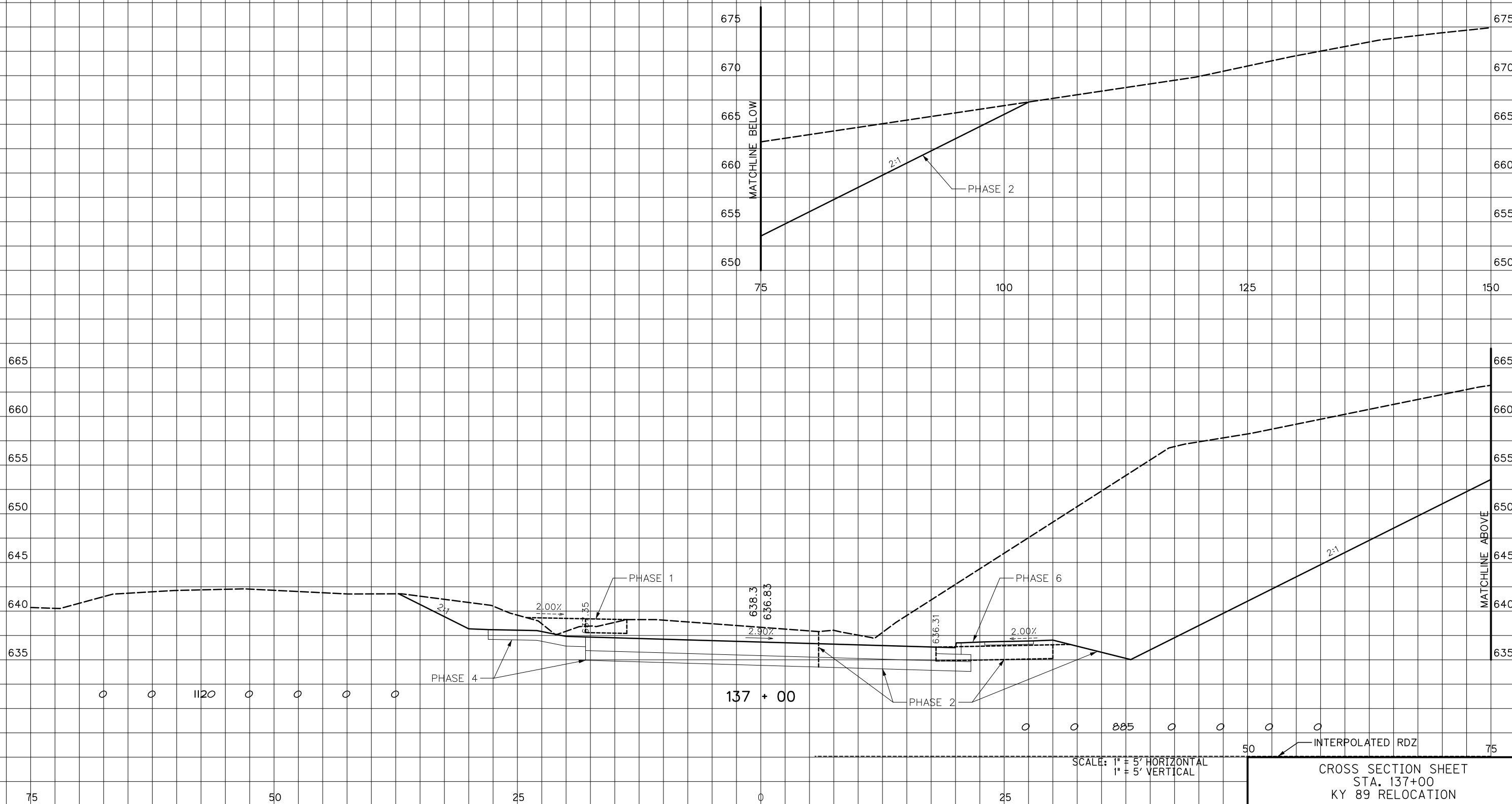
END AREAS, SQ. FT.

VOLUMES, CU. YD.

SURF. DT. LT. ROCK COM EMB REFILL SURF. DT. RT. EMB BENCH

SURF. DT. LT. ROCK COM EMB REFILL SURF. DT. RT. EMB BENCH

COUNTY OF	ITEM NO.	SHEET NO.
ESTILL	10-363.10	X180



FILE NAME: T:\2498 PHASE2\SOUTHEND\SHEETS\XSECTS\X180XS.DGN

USER: JSJugantz
DATE PLOTTED: December 2, 2012

E-SHEET NAME: X18000XS

MicroStation v8.11.7.443

CROSS SECTION SHEET
STA. 137+00
KY 89 RELOCATION

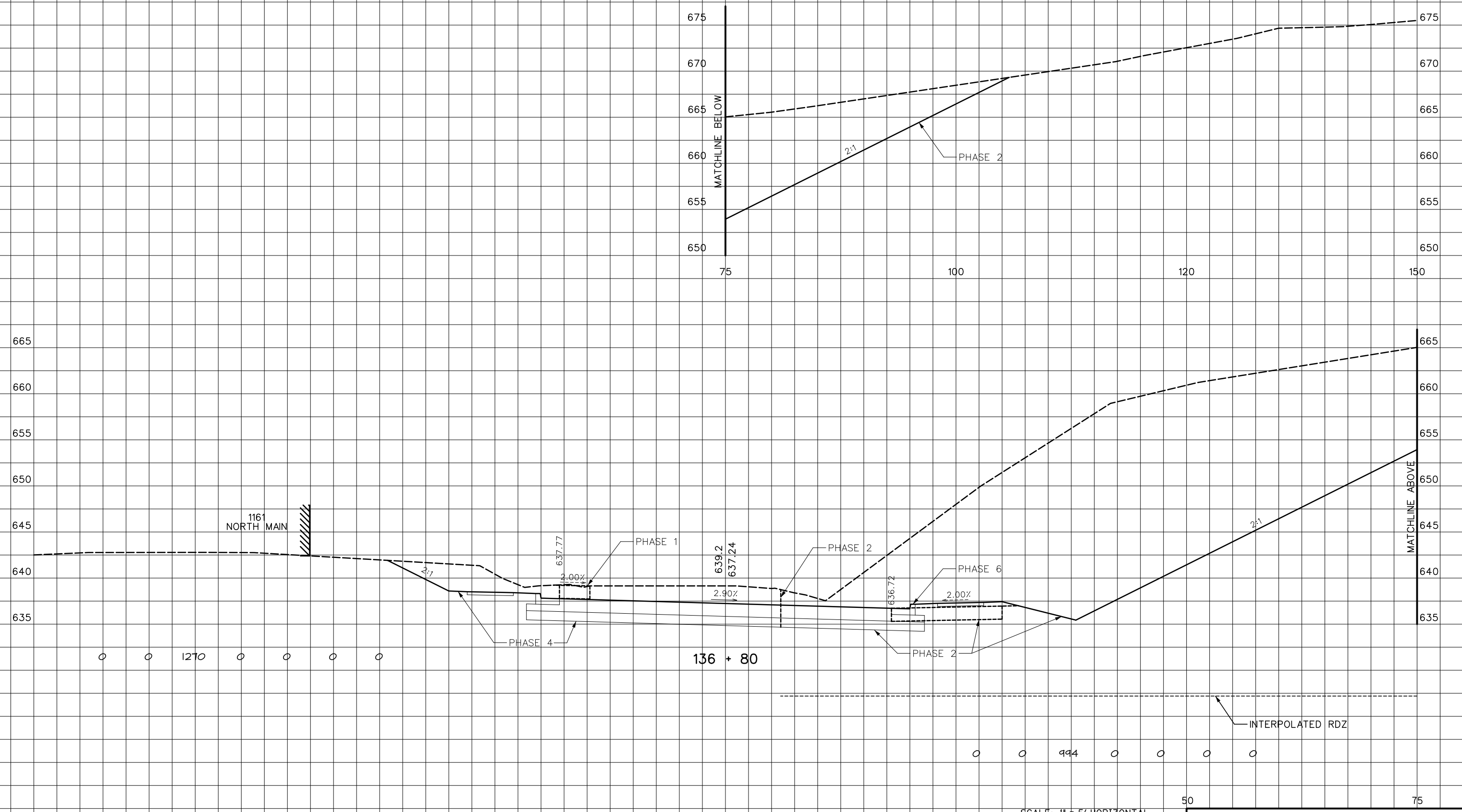
END AREAS, SQ. FT.

VOLUMES, CU. YD.

COUNTY OF	ITEM NO.	SHEET NO.
ESTILL	10-363.10	X179

SURF. DT. LT. ROCK COM EMB REFILL SURF. DT. RT. EMB BENCH

SURF. DT. LT. ROCK COM EMB REFILL SURF. DT. RT. EMB BENCH



MicroStation v8.11.7.443 E-SHEET NAME: X17900XS USER: jsugantz DATE PLOTTED: December 2, 2012 FILE NAME: T:\249B PHASE2\SOUTHEND\SHEETS\XSECTS\X179XS.DGN

SCALE: 1" = 5' HORIZONTAL
1" = 5' VERTICAL

CROSS SECTION SHEET
STA. 136+80
KY 89 RELOCATION

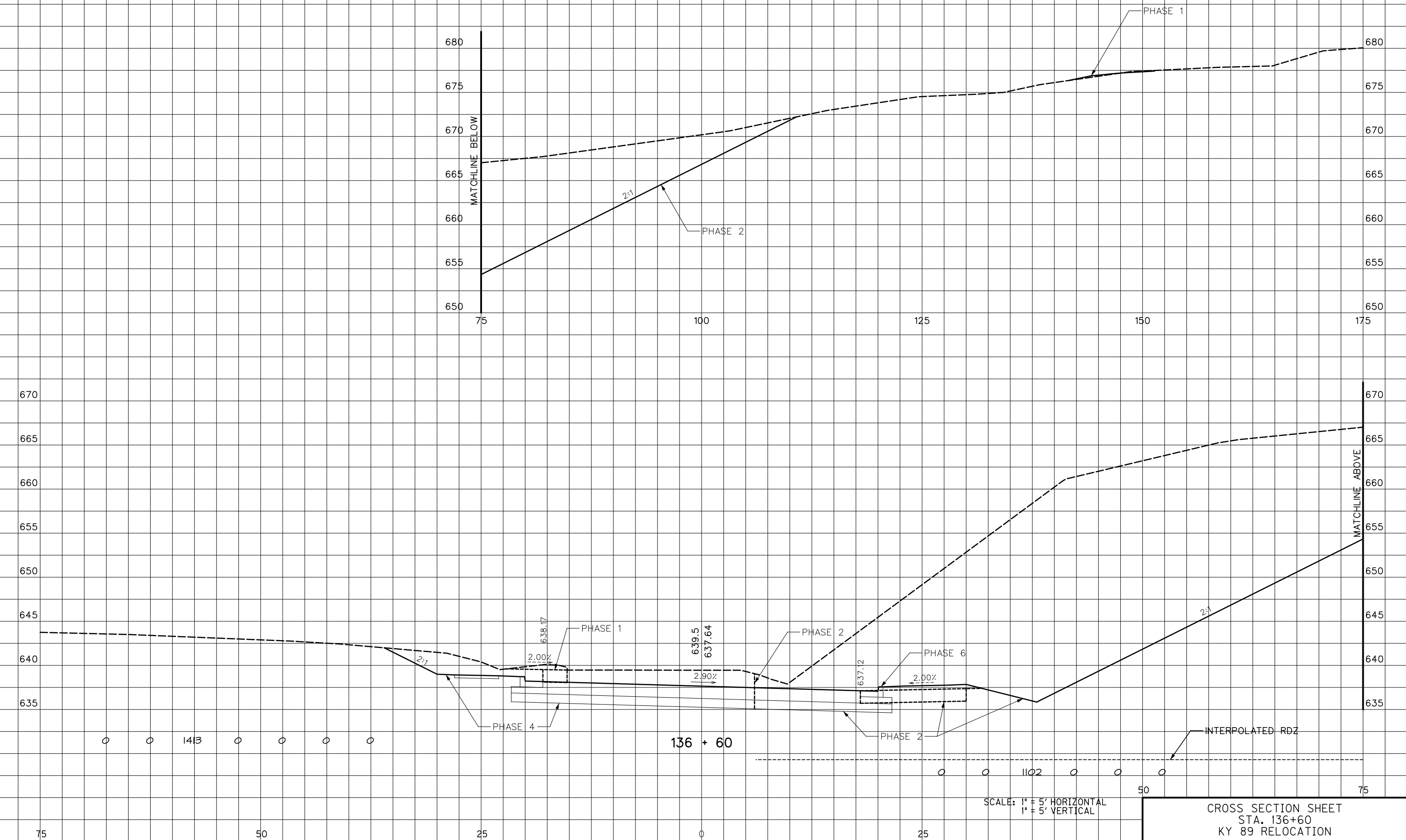
END AREAS, SQ. FT.

VOLUMES, CU. YD.

COUNTY OF	ITEM NO.	SHEET NO.
ESTILL	10-363.10	X178

SURF. DT. LT. ROCK COM EMB REFILL SURF. DT. RT. EMB BENCH

SURF. DT. LT. ROCK COM EMB REFILL SURF. DT. RT. EMB BENCH



MicroStation v8.11.7.443
 E-SHEET NAME: X17800XS
 USER: jsilgantz
 DATE PLOTTED: December 2, 2012
 FILE NAME: T:\2498 PHASE2\SOOUTHEND\SHEETS\XSECTS\X17800XS.DGN

CROSS SECTION SHEET
 STA. 136+60
 KY 89 RELOCATION

END AREAS, SQ. FT.

VOLUMES, CU. YD.

COUNTY OF	ITEM NO.	SHEET NO.
ESTILL	10-363.10	X177

SURF. DT. LT. ROCK COM EMB REFILL SURF. DT. RT. EMB BENCH

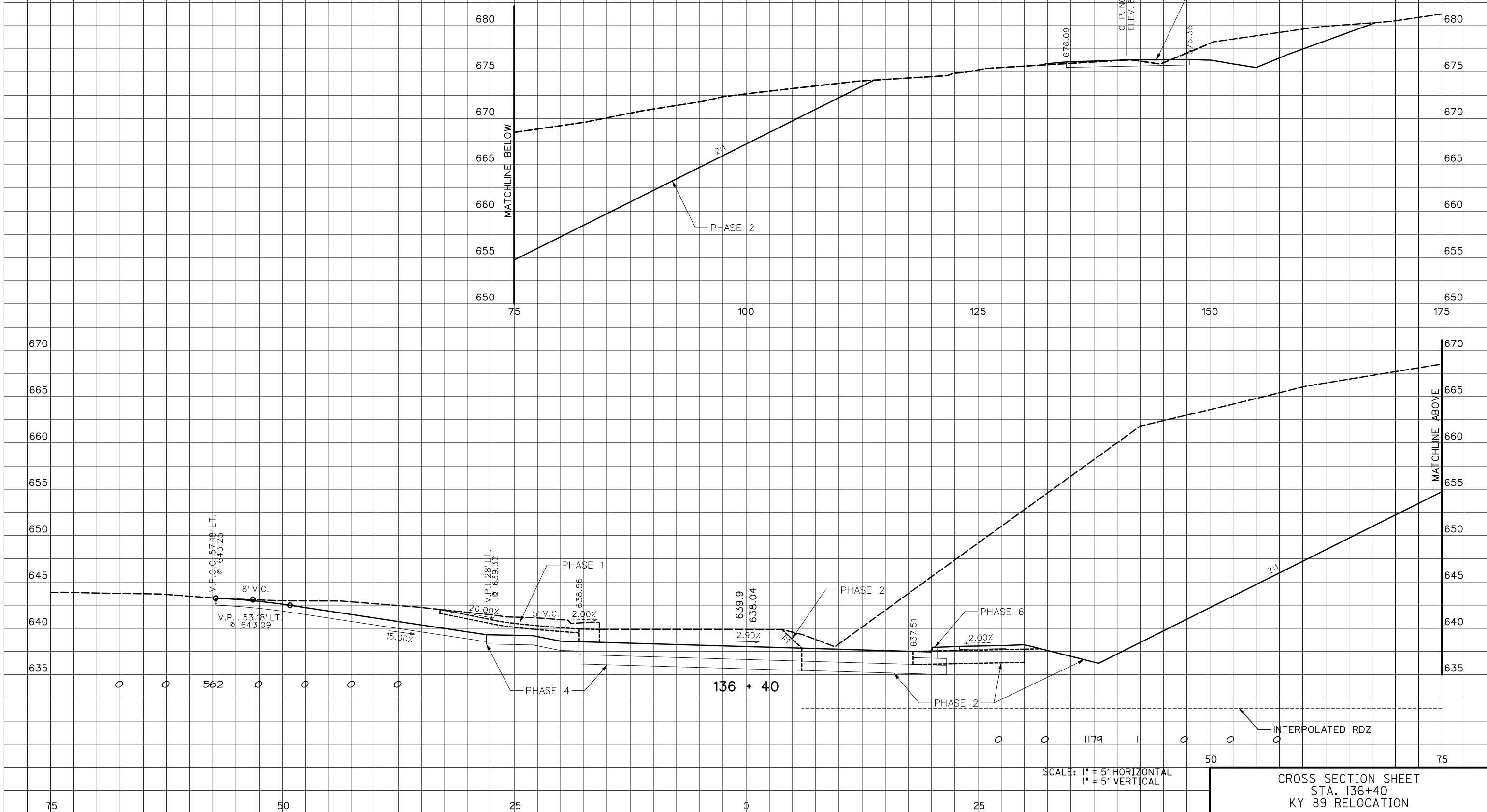
SURF. DT. LT. ROCK COM EMB REFILL SURF. DT. RT. EMB BENCH

FILE NAME: T:\2498 PHASE2\SOUTHEND\SHEETS\XSECTS\X177XS.DGN

USER: jsugantz
DATE PLOTTED: December 2, 2012

E-SHEET NAME: X17700XS

MicroStation v8.11.7.443



SCALE: 1" = 5' HORIZONTAL
1" = 5' VERTICAL

CROSS SECTION SHEET
STA. 136+40
KY 89 RELOCATION

END AREAS, SQ. FT.

VOLUMES, CU. YD.

COUNTY OF	ITEM NO.	SHEET NO.
ESTILL	10-363.10	X176

SURF. DT. LT. ROCK COM EMB REFILL SURF. DT. RT. EMB BENCH

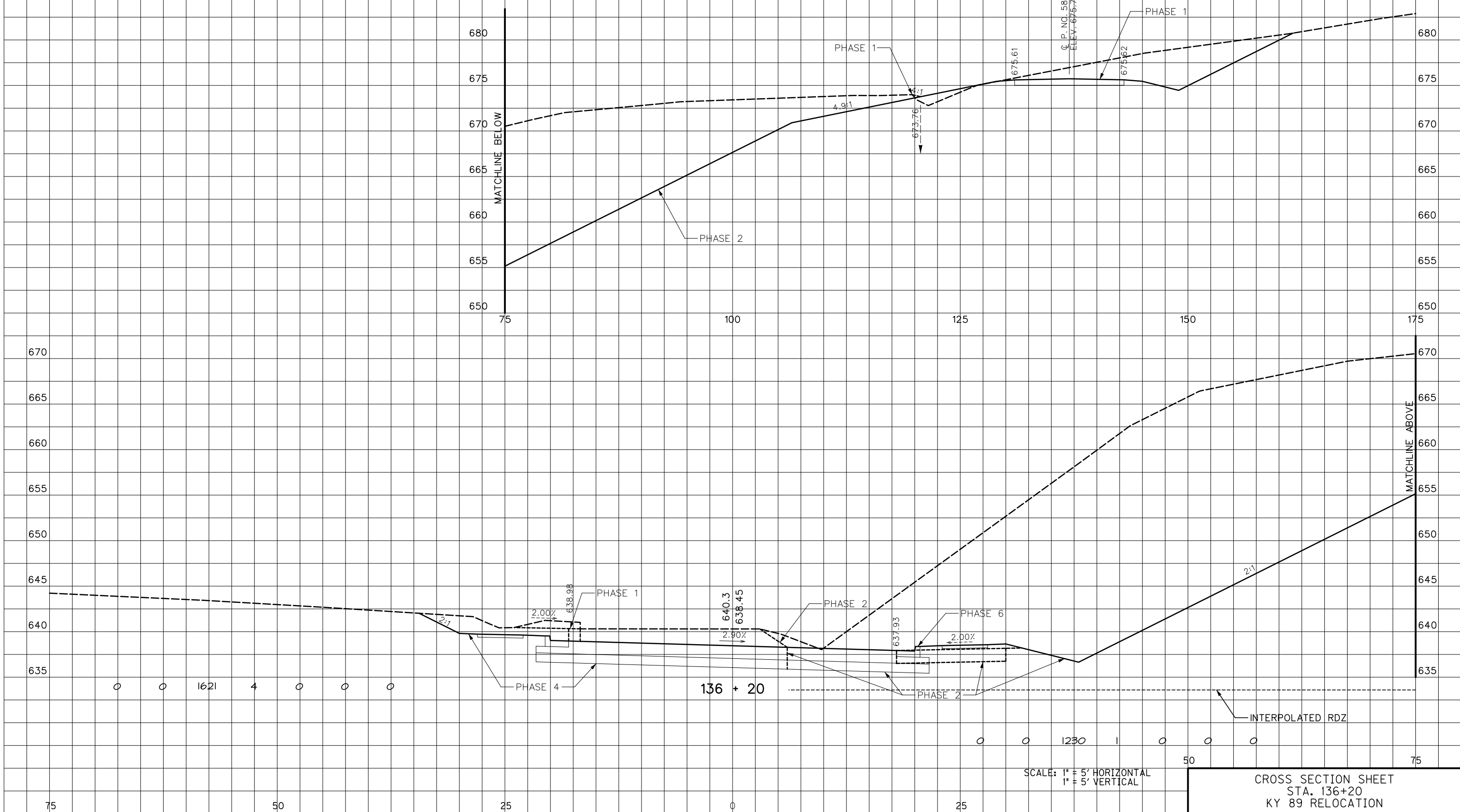
SURF. DT. LT. ROCK COM EMB REFILL SURF. DT. RT. EMB BENCH

FILE NAME: T:\2498 PHASE2\SOUTHEND\SHEETS\XSECTS\X89XS.DGN

USER: jsilgantz
DATE PLOTTED: December 2, 2012

E-SHEET NAME: X17600XS

MicroStation v8.11.7.443



END AREAS, SQ. FT.

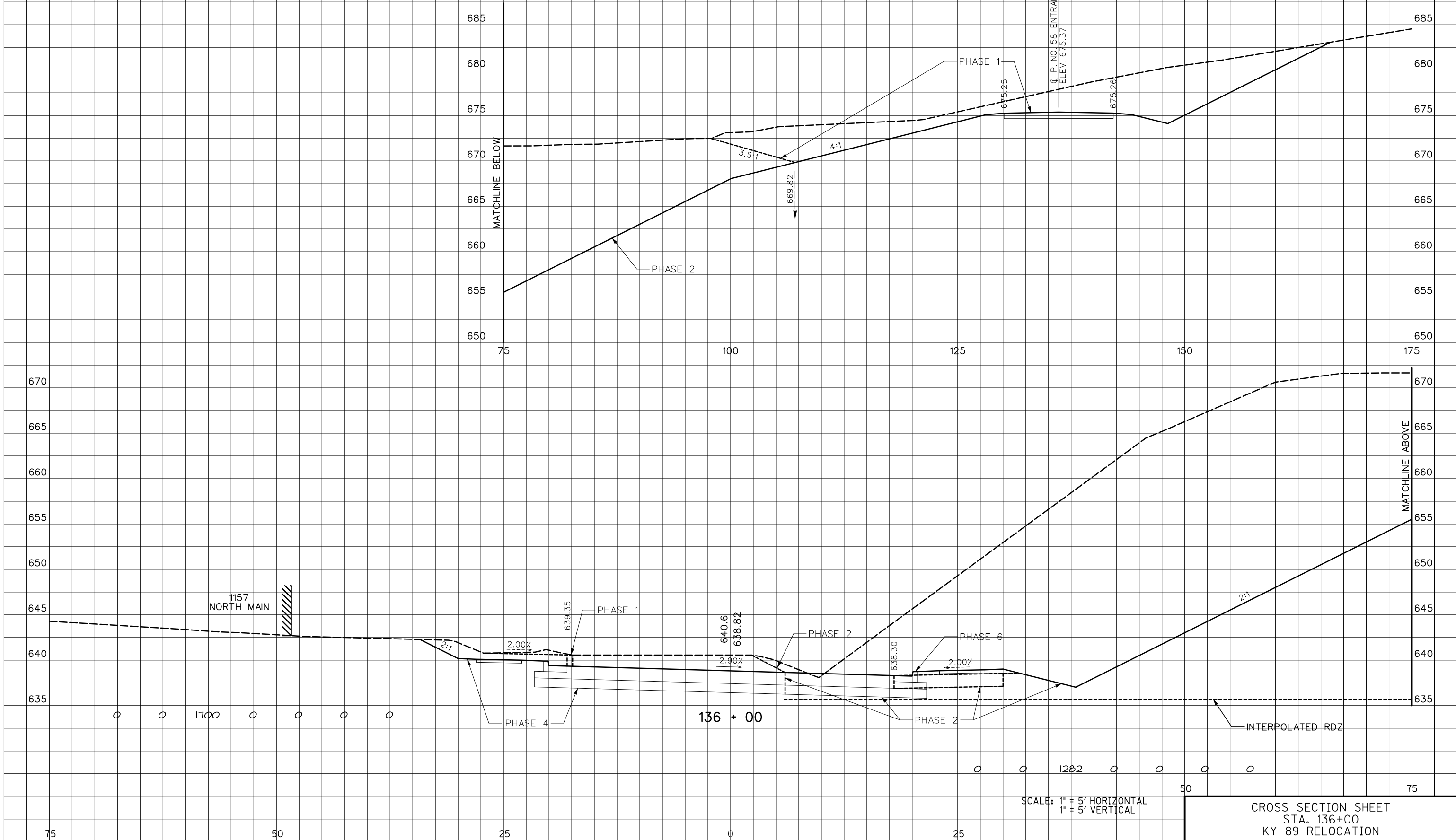
VOLUMES, CU. YD.

COUNTY OF	ITEM NO.	SHEET NO.
ESTILL	10-363.10	X175

SURF. DT. LT. ROCK COM EMB REFILL SURF. DT. RT. EMB BENCH

SURF. DT. LT. ROCK COM EMB REFILL SURF. DT. RT. EMB BENCH

MicroStation v8.11.7.443
 E-SHEET NAME: X17500XS
 USER: jsilgantz
 DATE PLOTTED: December 2, 2012
 FILE NAME: T:\249B PHASE2\SOUTHEND\SHEETS\XSECTS\X17500XS.DGN



SCALE: 1" = 5' HORIZONTAL
1" = 5' VERTICAL

CROSS SECTION SHEET
STA. 136+00
KY 89 RELOCATION

END AREAS, SQ. FT.

VOLUMES, CU. YD.

COUNTY OF	ITEM NO.	SHEET NO.
ESTILL	10-363.10	X174

SURF. DT. LT. ROCK COM EMB REFILL SURF. DT. RT. EMB BENCH

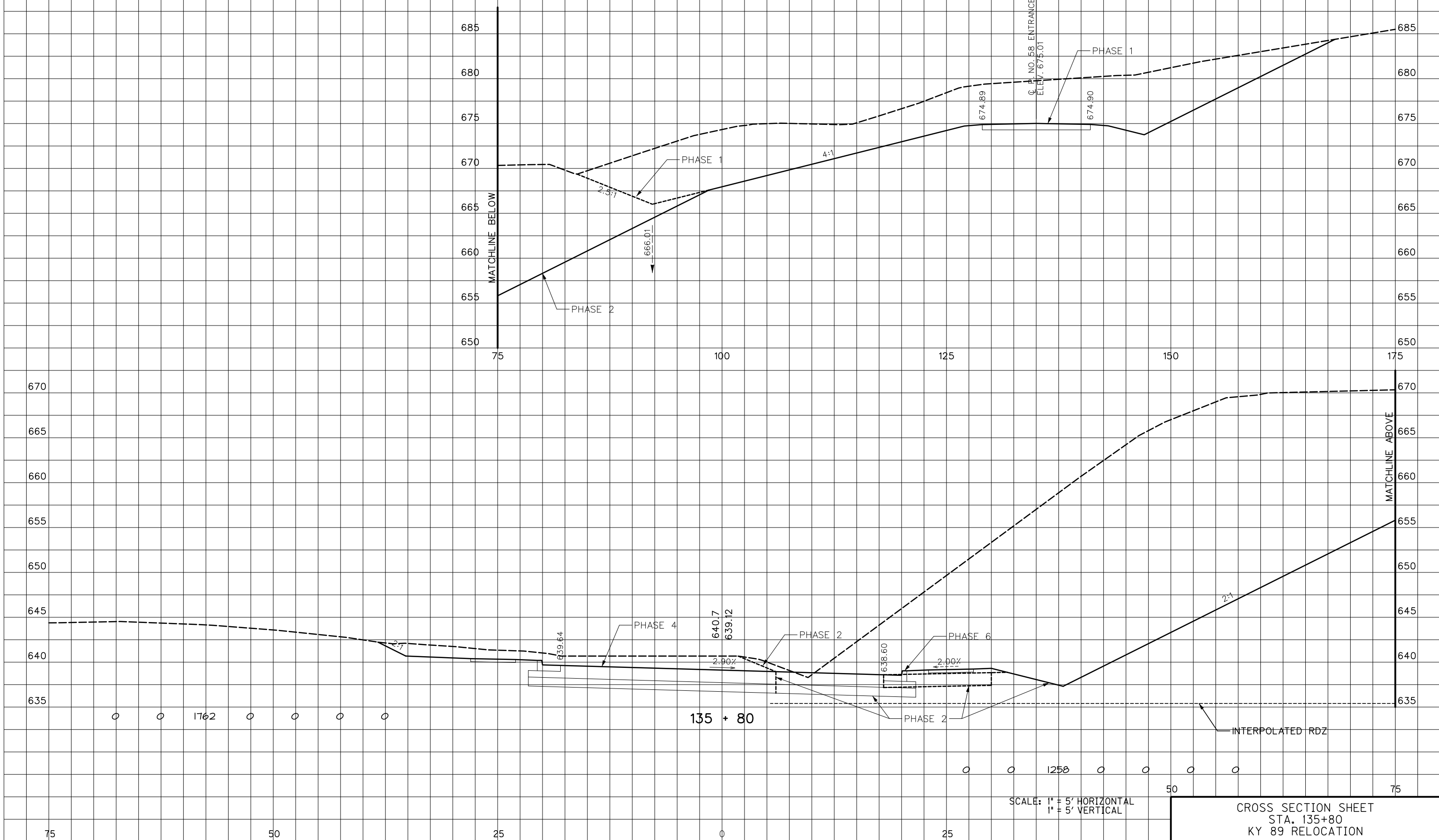
SURF. DT. LT. ROCK COM EMB REFILL SURF. DT. RT. EMB BENCH

FILE NAME: T:\2498 PHASE2\SOUTHEND\SHEETS\XSECTS\X89XS.DGN

USER: JSJugantz
DATE PLOTTED: December 2, 2012

E-SHEET NAME: X17400XS

MicroStation v8.11.7.443



CROSS SECTION SHEET
STA. 135+80
KY 89 RELOCATION

END AREAS, SQ. FT.

VOLUMES, CU. YD.

COUNTY OF	ITEM NO.	SHEET NO.
ESTILL	10-363.10	X173

SURF. DT. LT. ROCK COM EMB REFILL SURF. DT. RT. EMB BENCH

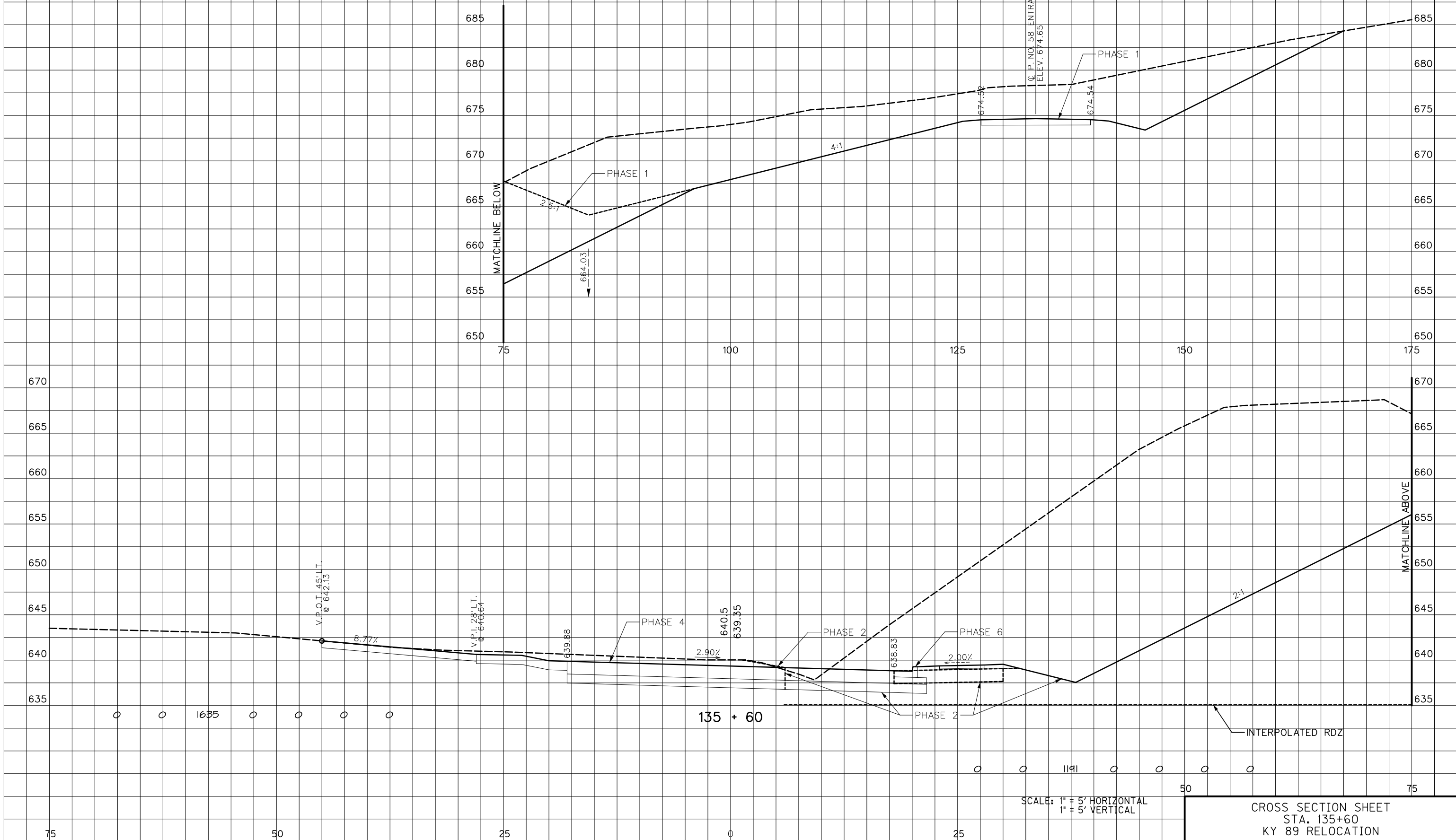
SURF. DT. LT. ROCK COM EMB REFILL SURF. DT. RT. EMB BENCH

FILE NAME: T:\2498 PHASE2\SOUTHEND\SHEETS\XSECTS\X173\X173.DGN

USER: jsjugantz
DATE PLOTTED: December 2, 2012

E-SHEET NAME: X17300XS

MicroStation v8.11.7.443



SCALE: 1" = 5' HORIZONTAL
1" = 5' VERTICAL

CROSS SECTION SHEET
STA. 135+60
KY 89 RELOCATION

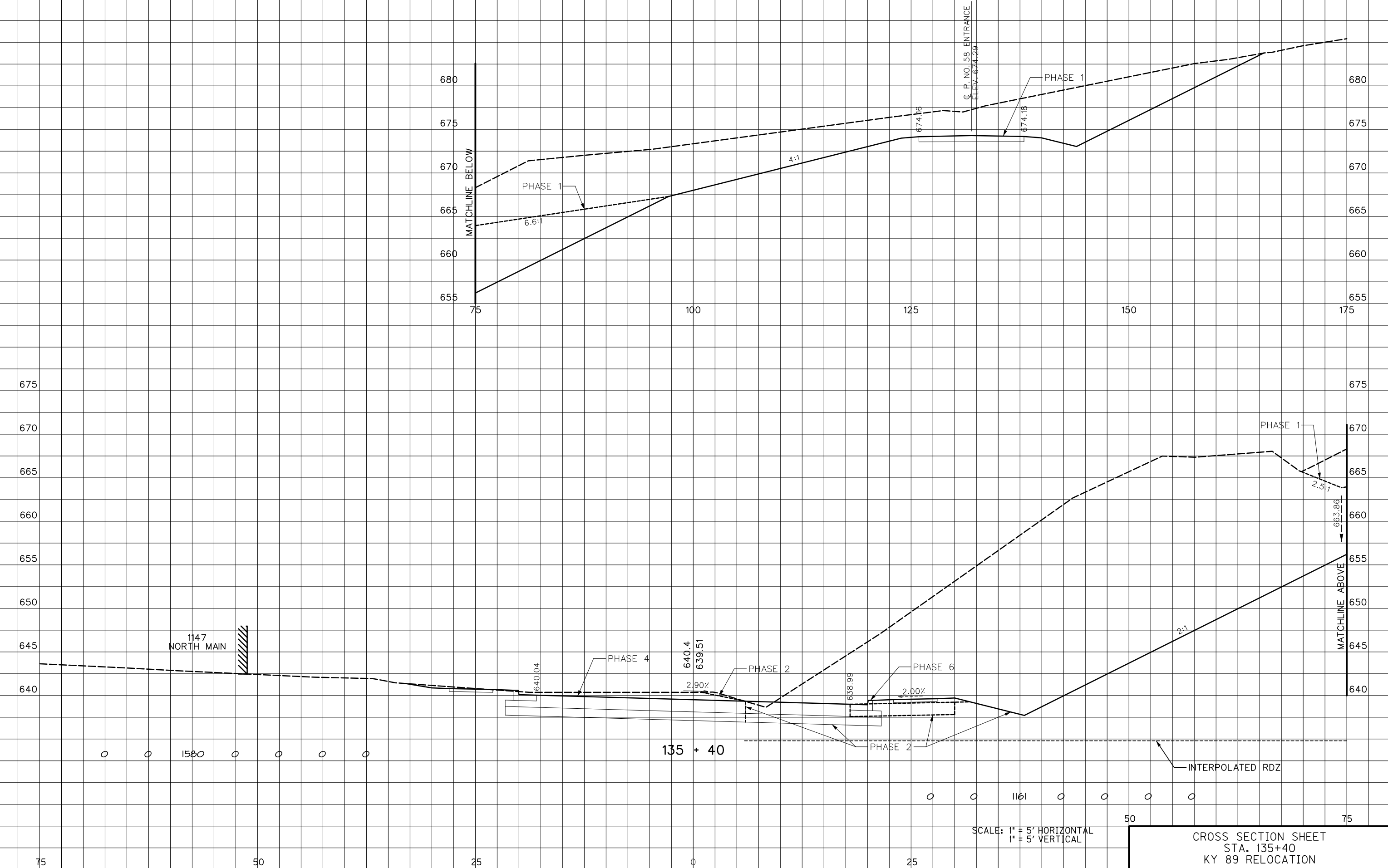
END AREAS, SQ. FT.

VOLUMES, CU. YD.

COUNTY OF	ITEM NO.	SHEET NO.
ESTILL	10-363.10	X172

SURF. DT. LT. ROCK COM EMB REFILL SURF. DT. RT. EMB BENCH

SURF. DT. LT. ROCK COM EMB REFILL SURF. DT. RT. EMB BENCH



FILE NAME: T:\2498\PHASE2\SOUTHEND\SHEETS\XSECTS\X172\X172.DGN

USER: jsugantz
DATE PLOTTED: December 2, 2012

E-SHEET NAME: X17200XS

MicroStation v8.11.7.443

SCALE: 1" = 5' HORIZONTAL
1" = 5' VERTICAL

CROSS SECTION SHEET
STA. 135+40
KY 89 RELOCATION

END AREAS, SQ. FT.

VOLUMES, CU. YD.

COUNTY OF	ITEM NO.	SHEET NO.
ESTILL	10-363.10	X171

SURF. DT. LT. ROCK COM EMB REFILL SURF. DT. RT. EMB BENCH

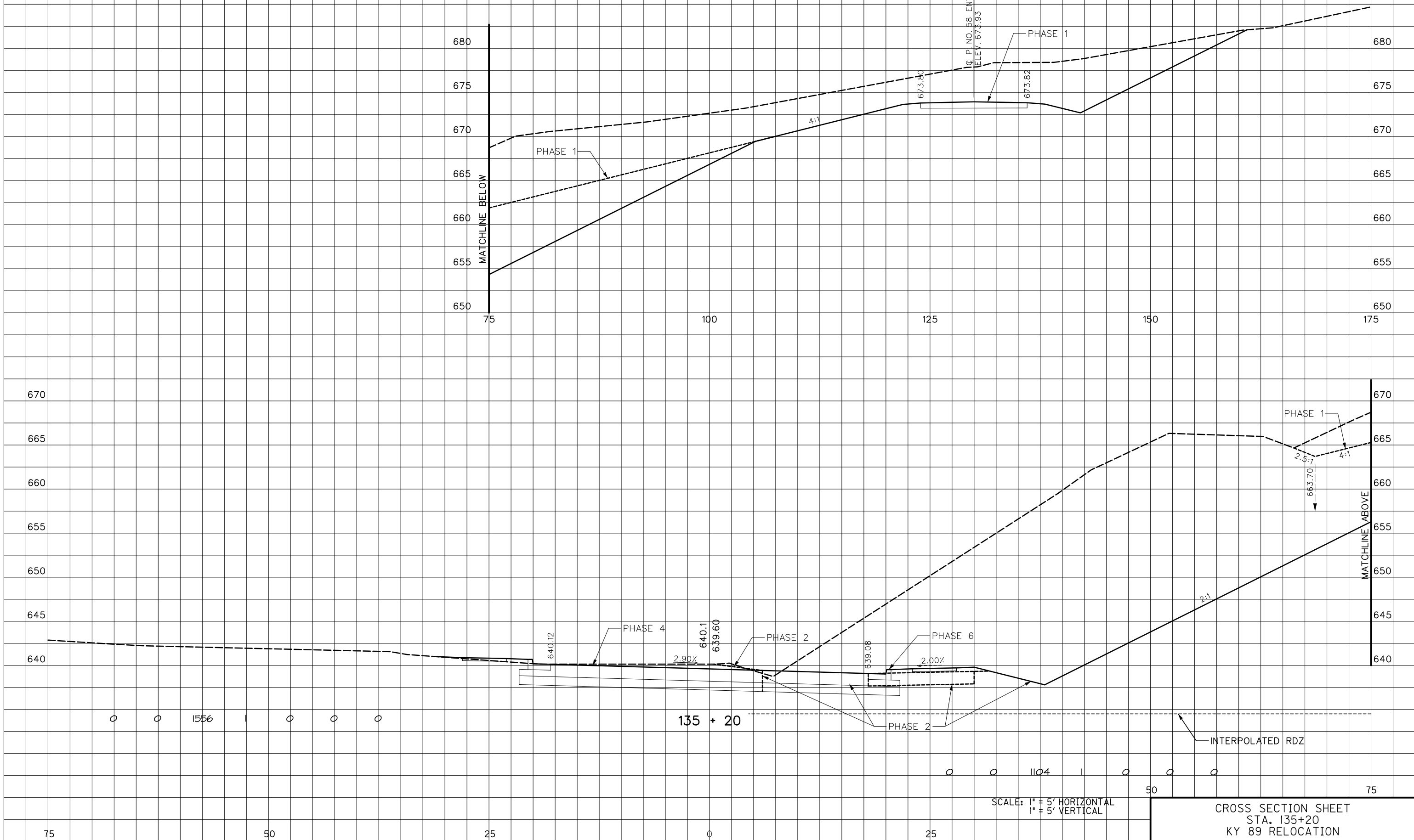
SURF. DT. LT. ROCK COM EMB REFILL SURF. DT. RT. EMB BENCH

FILE NAME: T:\249B PHASE2\SOUTHEND\SHEETS\XSECTS\X171\X171.DGN

USER: jsjagantz
DATE PLOTTED: December 2, 2012

E-SHEET NAME: X17100XS

MicroStation v8.11.7.443



SCALE: 1" = 5' HORIZONTAL
1" = 5' VERTICAL

CROSS SECTION SHEET
STA. 135+20
KY 89 RELOCATION

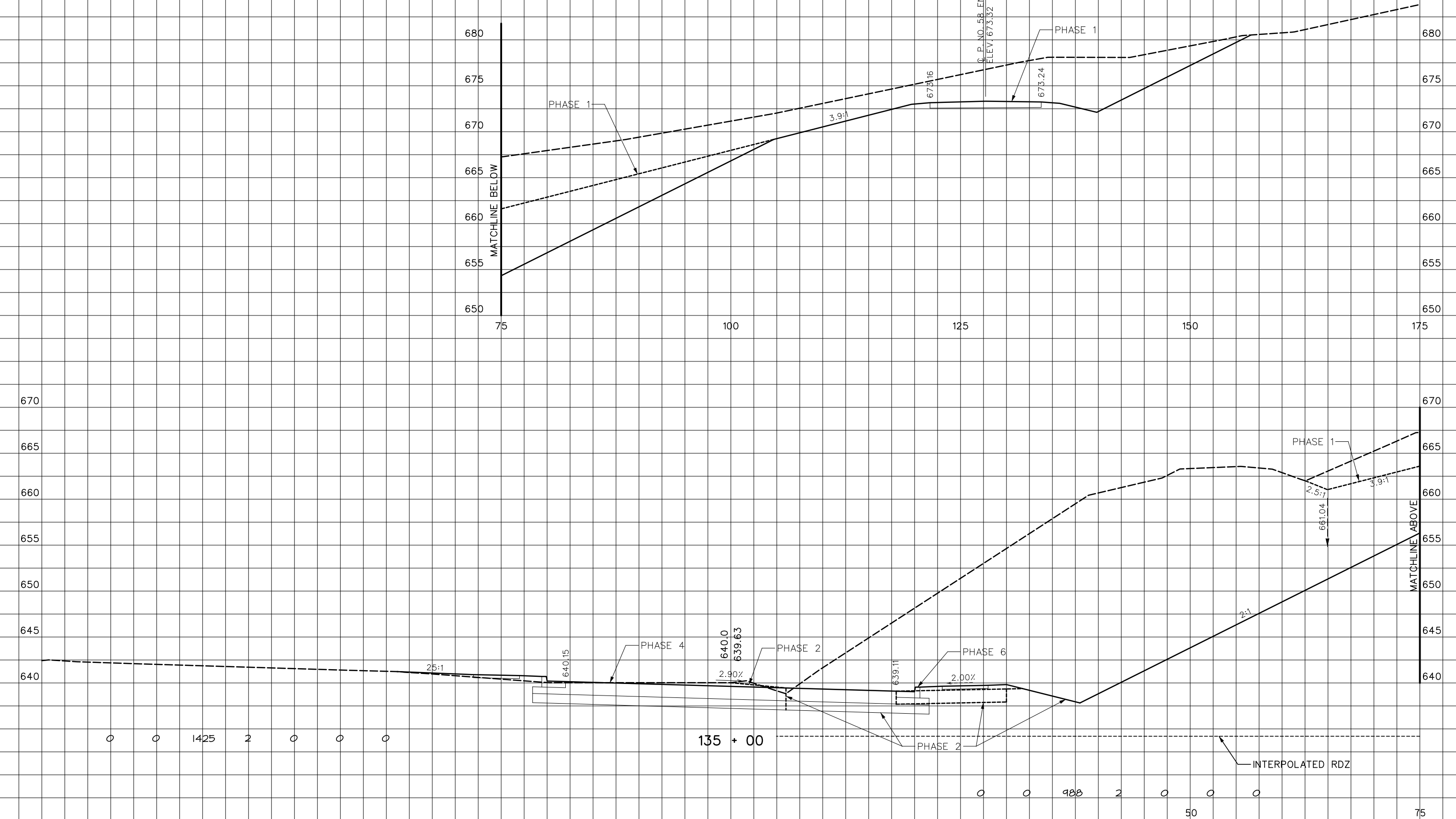
END AREAS, SQ. FT.

VOLUMES, CU. YD.

COUNTY OF	ITEM NO.	SHEET NO.
ESTILL	10-363.10	X170

SURF. DT. LT. ROCK COM EMB REFILL SURF. DT. RT. EMB BENCH

SURF. DT. LT. ROCK COM EMB REFILL SURF. DT. RT. EMB BENCH



FILE NAME: T:\2498 PHASE2\SOUTHEND\SHEETS\XSECTS\X170XS.DGN

USER: jsilganitz
DATE PLOTTED: December 2, 2012

E-SHEET NAME: X17000XS

MicroStation v8.11.7.443

SCALE: 1" = 5' HORIZONTAL
1" = 5' VERTICAL

CROSS SECTION SHEET
STA. 135+00
KY 89 RELOCATION

END AREAS, SQ. FT.

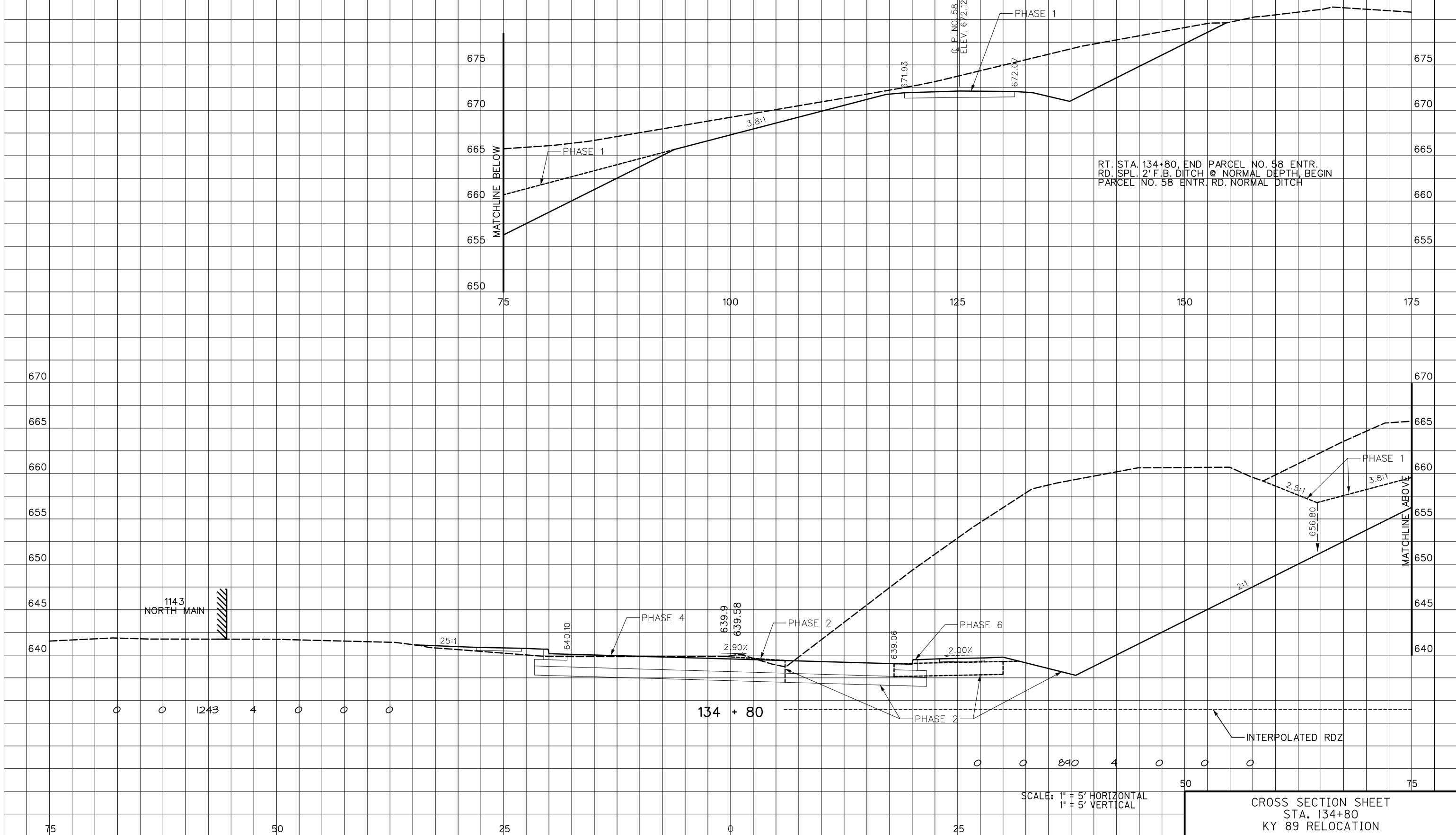
VOLUMES, CU. YD.

COUNTY OF	ITEM NO.	SHEET NO.
ESTILL	10-363.10	X169

SURF. DT. LT. ROCK COM EMB REFILL SURF. DT. RT. EMB BENCH

SURF. DT. LT. ROCK COM EMB REFILL SURF. DT. RT. EMB BENCH

FILE NAME: T:\2498 PHASE2\SOUTHEND\SHEETS\XSECTS\X169XS.DGN
 USER: jsugantz
 DATE PLOTTED: December 2, 2012
 E-SHEET NAME: X16900XS
 MicroStation v8.11.7.443



RT. STA. 134+80, END PARCEL NO. 58 ENTR.
 RD. SPL. 2' F.B. DITCH @ NORMAL DEPTH, BEGIN
 PARCEL NO. 58 ENTR. RD. NORMAL DITCH

SCALE: 1" = 5' HORIZONTAL
 1" = 5' VERTICAL

CROSS SECTION SHEET
 STA. 134+80
 KY 89 RELOCATION

END AREAS, SQ. FT.

VOLUMES, CU. YD.

COUNTY OF	ITEM NO.	SHEET NO.
ESTILL	10-363.10	X168

SURF. DT. LT. ROCK COM EMB REFILL SURF. DT. RT. EMB BENCH

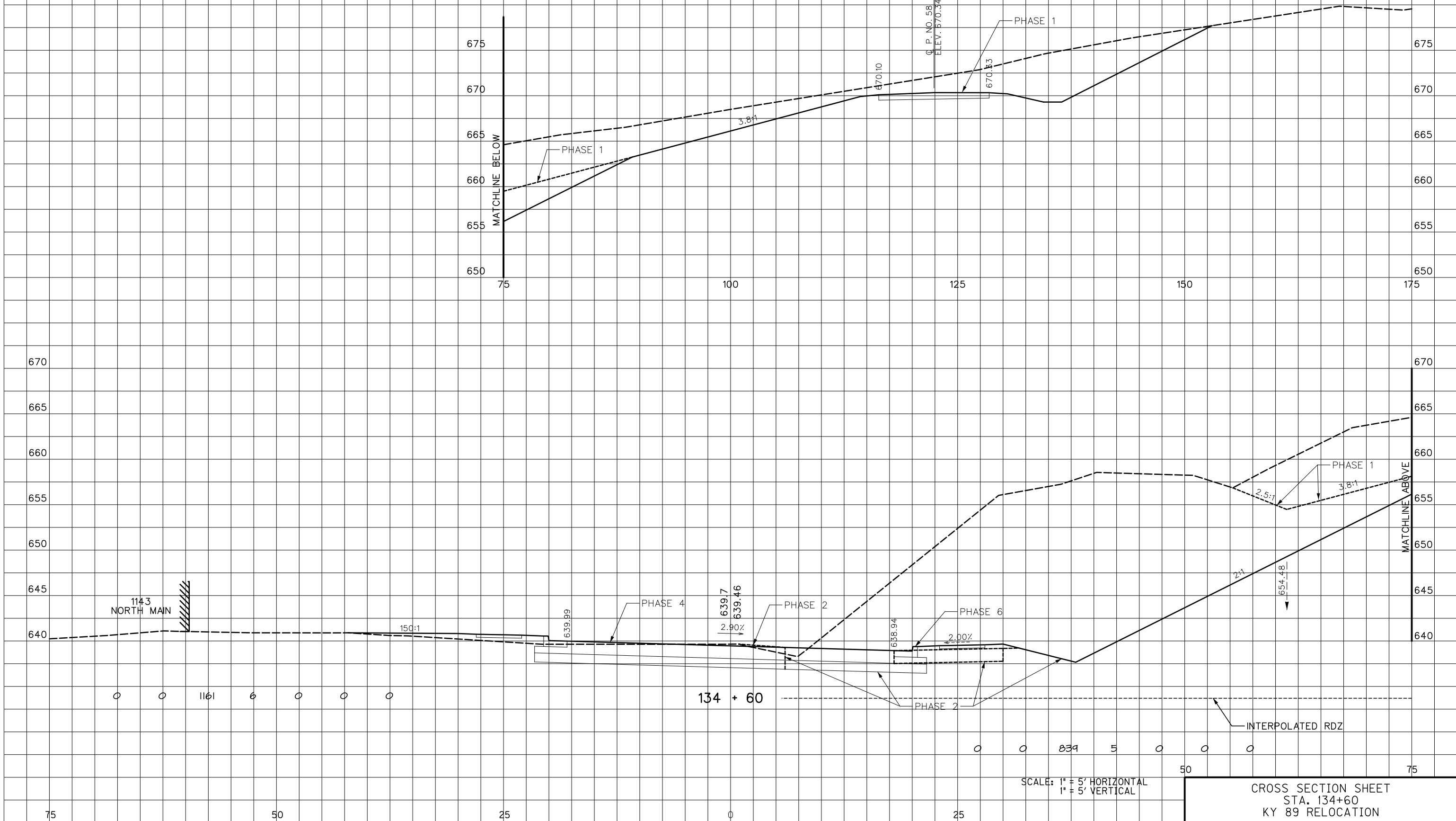
SURF. DT. LT. ROCK COM EMB REFILL SURF. DT. RT. EMB BENCH

FILE NAME: T:\2498 PHASE2\SOUTHEND\SHEETS\XSECTS\X168XS.DGN

USER: JSJugantz
DATE PLOTTED: December 2, 2012

E-SHEET NAME: X16800XS

MicroStation v8.11.7.443



CROSS SECTION SHEET
STA. 134+60
KY 89 RELOCATION

END AREAS, SQ. FT.

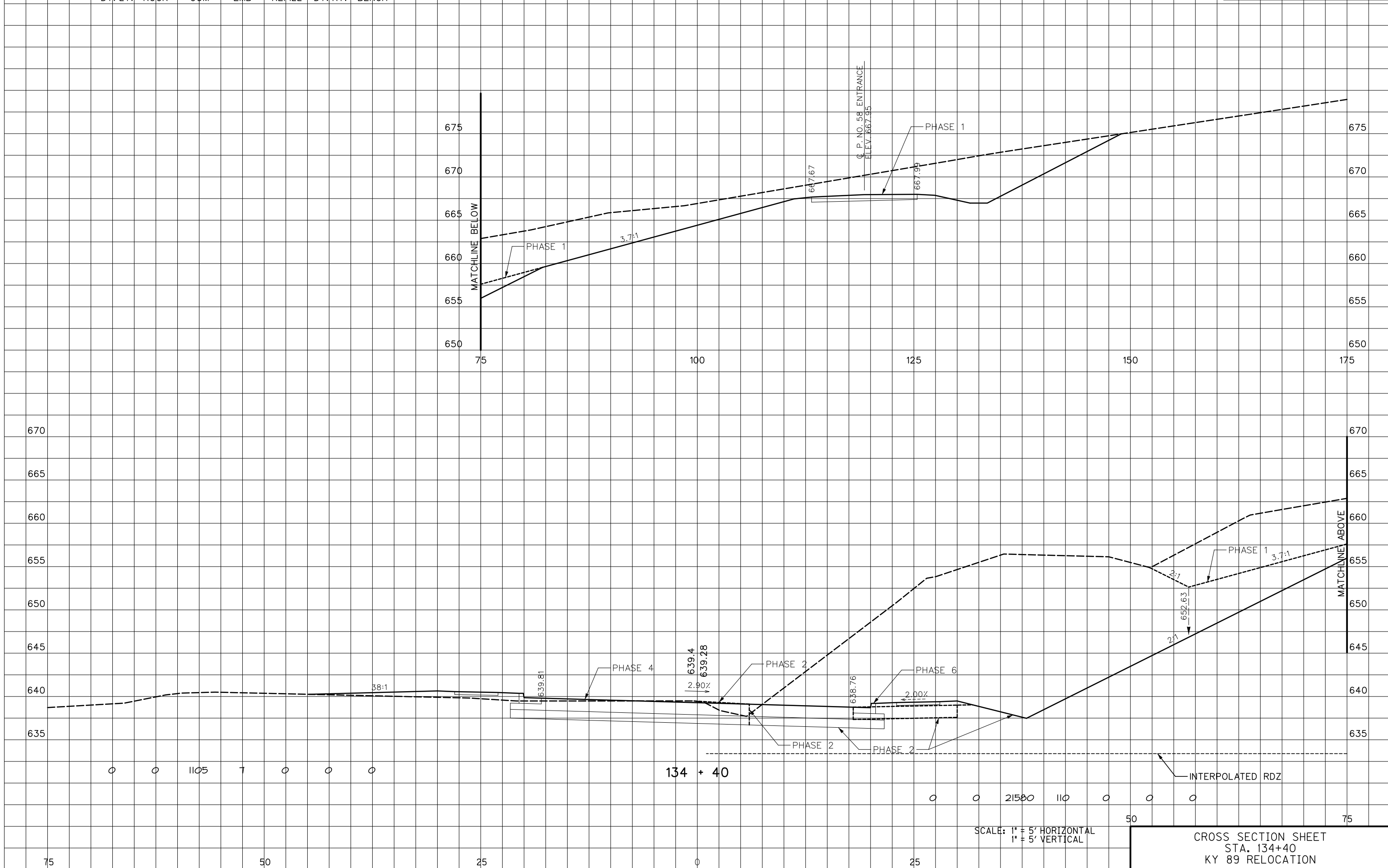
VOLUMES, CU. YD.

COUNTY OF	ITEM NO.	SHEET NO.
ESTILL	10-363.10	X167

SURF. DT. LT. ROCK COM EMB REFILL SURF. DT. RT. EMB BENCH

SURF. DT. LT. ROCK COM EMB REFILL SURF. DT. RT. EMB BENCH

MicroStation v8.11.7.443
 E-SHEET NAME: X16700XS
 USER: jsilgantz
 DATE PLOTTED: December 2, 2012
 FILE NAME: T:\2498\PHASE2\SOUTHEND\SHEETS\XSECTS\X89XS.DGN



SCALE: 1" = 5' HORIZONTAL
 1" = 5' VERTICAL

CROSS SECTION SHEET
 STA. 134+40
 KY 89 RELOCATION

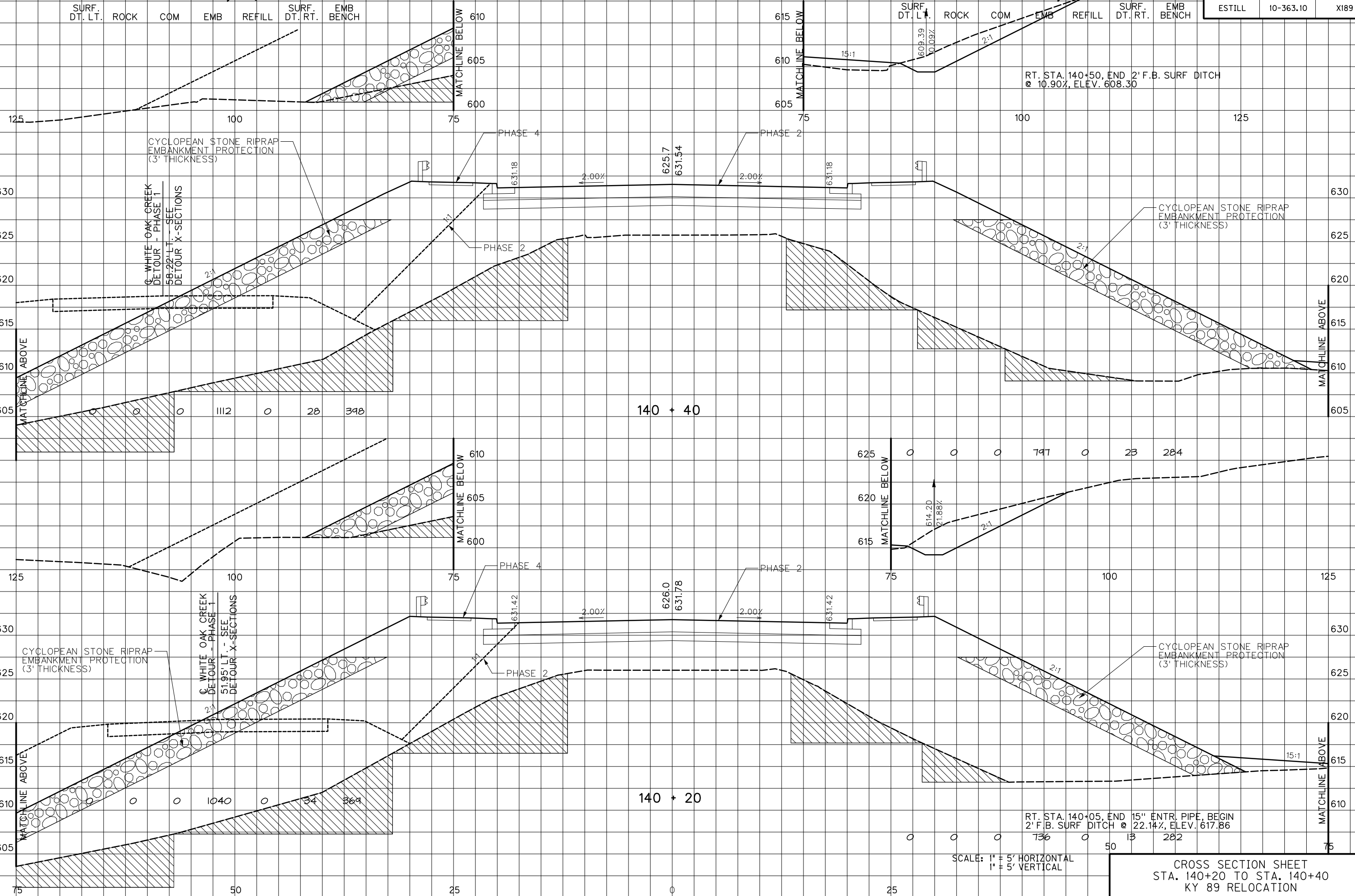
END AREAS, SQ. FT.

VOLUMES, CU. YD.

COUNTY OF	ITEM NO.	SHEET NO.
ESTILL	10-363.10	X189

SURF. DT. LT. ROCK COM EMB REFILL SURF. DT. RT. EMB BENCH

SURF. DT. L. ROCK COM EMB REFILL SURF. DT. RT. EMB BENCH



CYCLOPEAN STONE RIPRAP EMBANKMENT PROTECTION (3' THICKNESS)

WHITE OAK CREEK DETOUR - PHASE I
58-22' L.T. - SEE DETOUR X-SECTIONS

CYCLOPEAN STONE RIPRAP EMBANKMENT PROTECTION (3' THICKNESS)

CYCLOPEAN STONE RIPRAP EMBANKMENT PROTECTION (3' THICKNESS)

WHITE OAK CREEK DETOUR - PHASE I
51-95' L.T. - SEE DETOUR X-SECTIONS

CYCLOPEAN STONE RIPRAP EMBANKMENT PROTECTION (3' THICKNESS)

RT. STA. 140+05, END 15" ENTR. PIPE, BEGIN 2' F.B. SURF. DITCH @ 22.14%, ELEV. 617.86

SCALE: 1" = 5' HORIZONTAL
1" = 5' VERTICAL

CROSS SECTION SHEET
STA. 140+20 TO STA. 140+40
KY 89 RELOCATION

FILE NAME: T:\2498 PHASE2\SOUTHEND\SHEETS\XSECTS\X189XS.DGN

USER: jsugantz
DATE PLOTTED: December 2, 2012

E-SHEET NAME: X18900XS

MicroStation v8.11.7.443

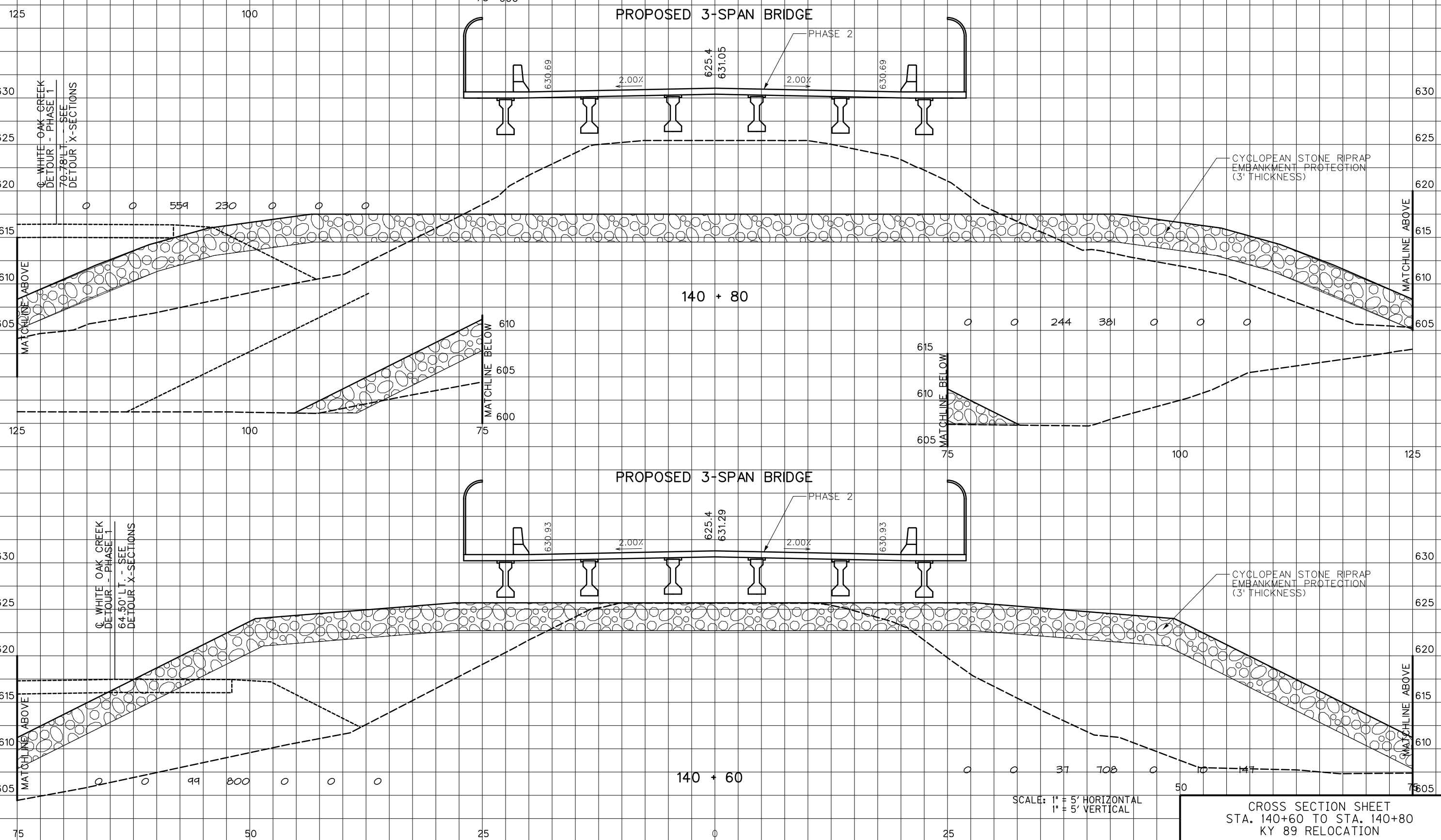
END AREAS, SQ. FT.

SURF. DT. LT. ROCK COM EMB REFILL SURF. DT. RT. EMB BENCH

VOLUMES, CU. YD.

SURF. DT. LT. ROCK COM EMB REFILL SURF. DT. RT. EMB BENCH

COUNTY OF	ITEM NO.	SHEET NO.
ESTILL	10-363.10	X190



G. WHITE OAK CREEK
DETOUR - PHASE 1
70-78 L.T. - SEE
DETOUR X-SECTIONS

G. WHITE OAK CREEK
DETOUR - PHASE 1
64-50 L.T. - SEE
DETOUR X-SECTIONS

CYCLOPEAN STONE RIPRAP
EMBANKMENT PROTECTION
(3' THICKNESS)

CYCLOPEAN STONE RIPRAP
EMBANKMENT PROTECTION
(3' THICKNESS)

SCALE: 1" = 5' HORIZONTAL
1" = 5' VERTICAL

CROSS SECTION SHEET
STA. 140+60 TO STA. 140+80
KY 89 RELOCATION

MicroStation v8.11.7.443 E-SHEET NAME: X19000XS USER: jsugantz DATE PLOTTED: December 2, 2012 FILE NAME: T:\2498 PHASE2\SOUTHEND\SHEETS\XSECTS\X89XS.DGN

END AREAS, SQ. FT.

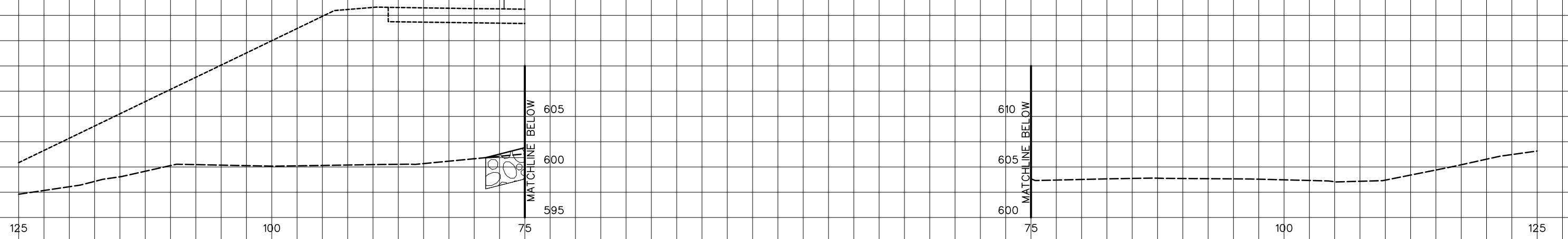
SURF. DT. LT. ROCK COM EMB REFILL SURF. DT. RT. EMB BENCH

© WHITE OAK CREEK
DETOUR - PHASE 1
77.05' LT. - SEE
DETOUR X-SECTIONS

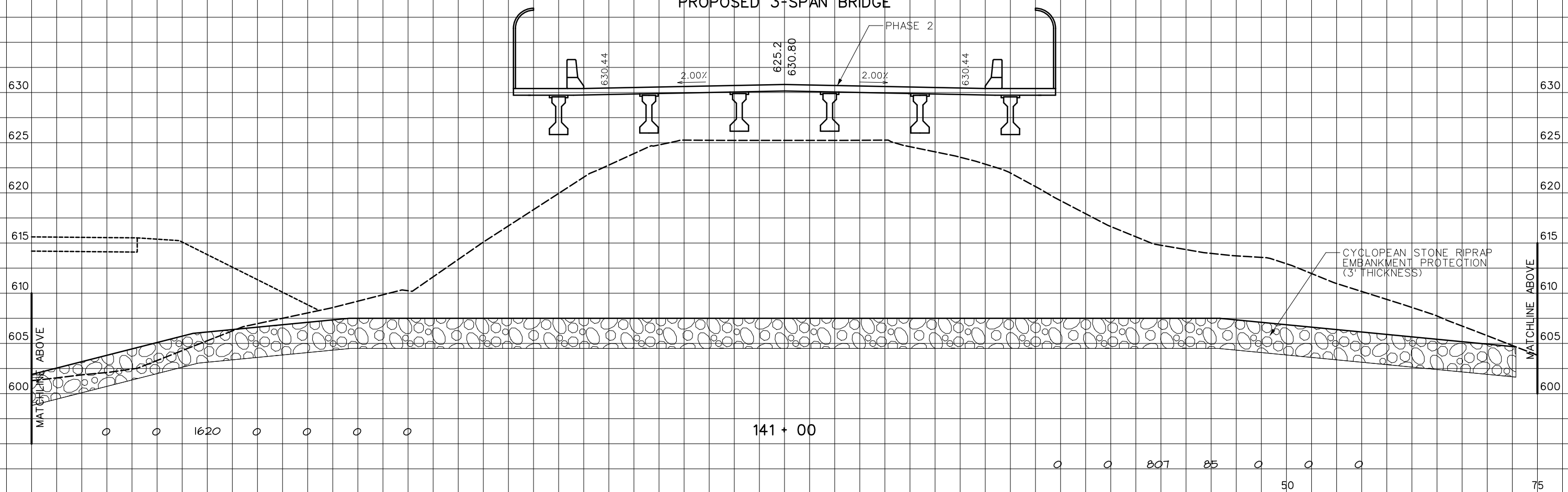
VOLUMES, CU. YD.

SURF. DT. LT. ROCK COM EMB REFILL SURF. DT. RT. EMB BENCH

COUNTY OF	ITEM NO.	SHEET NO.
ESTILL	10-363.10	X191



PROPOSED 3-SPAN BRIDGE



SCALE: 1" = 5' HORIZONTAL
1" = 5' VERTICAL

CROSS SECTION SHEET
STA. 141+00
KY 89 RELOCATION

FILE NAME: T:\2498 PHASE2\SOUTHEND\SHEETS\XSECTS\X89XS.DGN

USER: jsjugantz
DATE PLOTTED: December 2, 2012

E-SHEET NAME: X19100XS

MicroStation v8.11.7.443

END AREAS, SQ. FT.

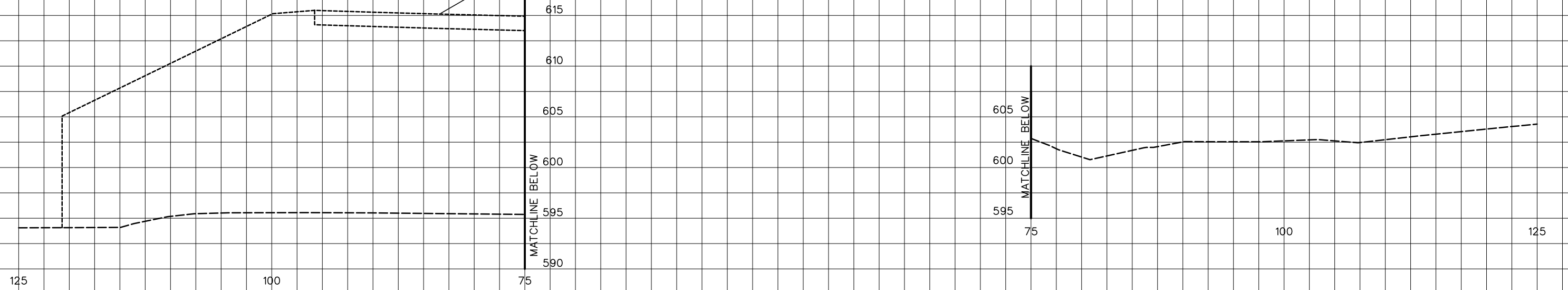
VOLUMES, CU. YD.

COUNTY OF	ITEM NO.	SHEET NO.
ESTILL	10-363.10	X192

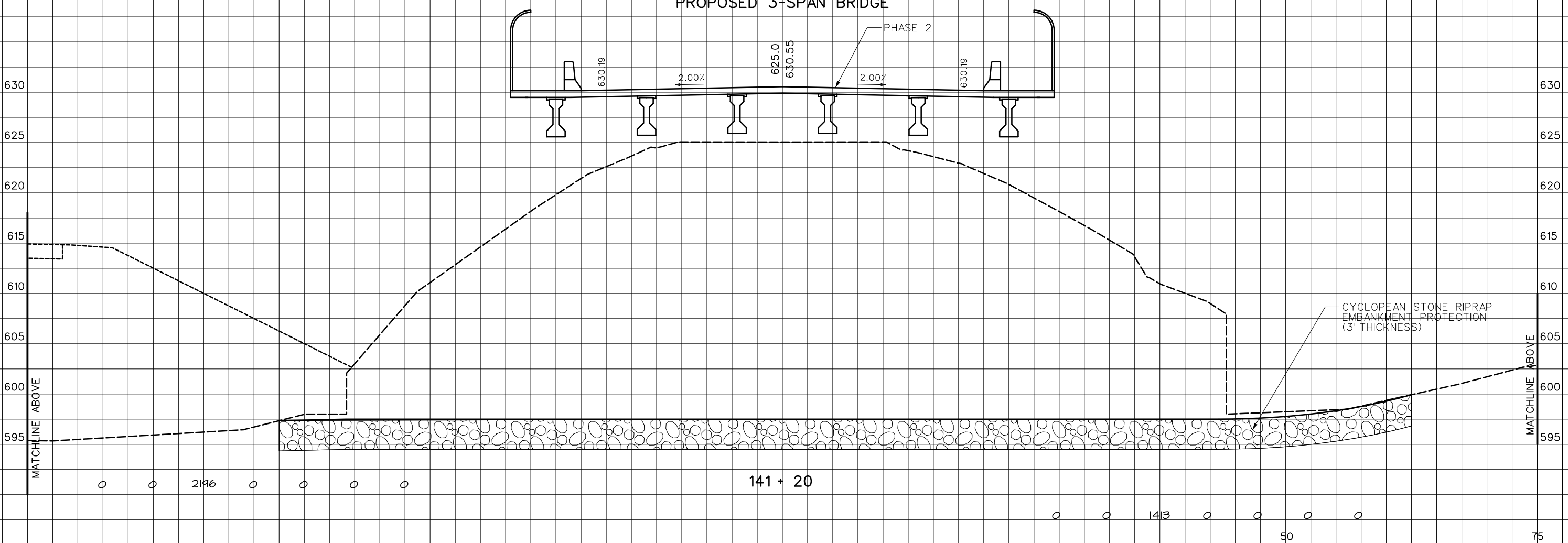
SURF. DT. LT. ROCK COM EMB REFILL SURF. DT. RT. EMB BENCH

SURF. DT. LT. ROCK COM EMB REFILL SURF. DT. RT. EMB BENCH

Q WHITE OAK CREEK
DETOUR - PHASE 1
83.30' LT. - SEE
DETOUR X-SECTIONS



PROPOSED 3-SPAN BRIDGE



SCALE: 1" = 5' HORIZONTAL
1" = 5' VERTICAL

CROSS SECTION SHEET
STA. 141+20
KY 89 RELOCATION

MicroStation v8.11.7.443 E-SHEET NAME: X19200XS USER: jsjugantz DATE PLOTTED: December 2, 2012 FILE NAME: T:\2498 PHASE2\SOUTHEND\SHEETS\XSECTS\X89XS.DGN

END AREAS, SQ. FT.

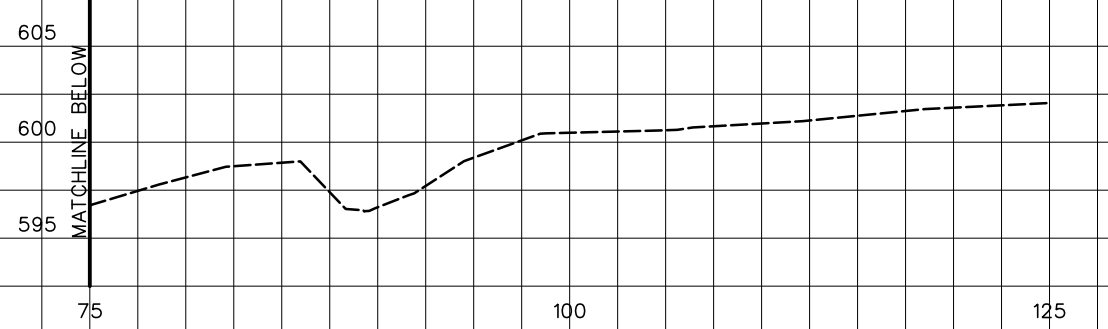
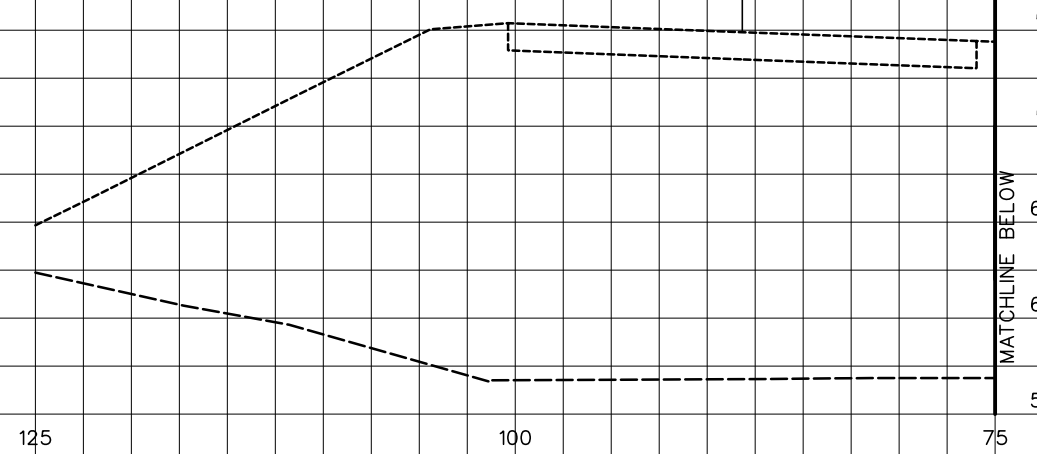
VOLUMES, CU. YD.

COUNTY OF	ITEM NO.	SHEET NO.
ESTILL	10-363.10	X193

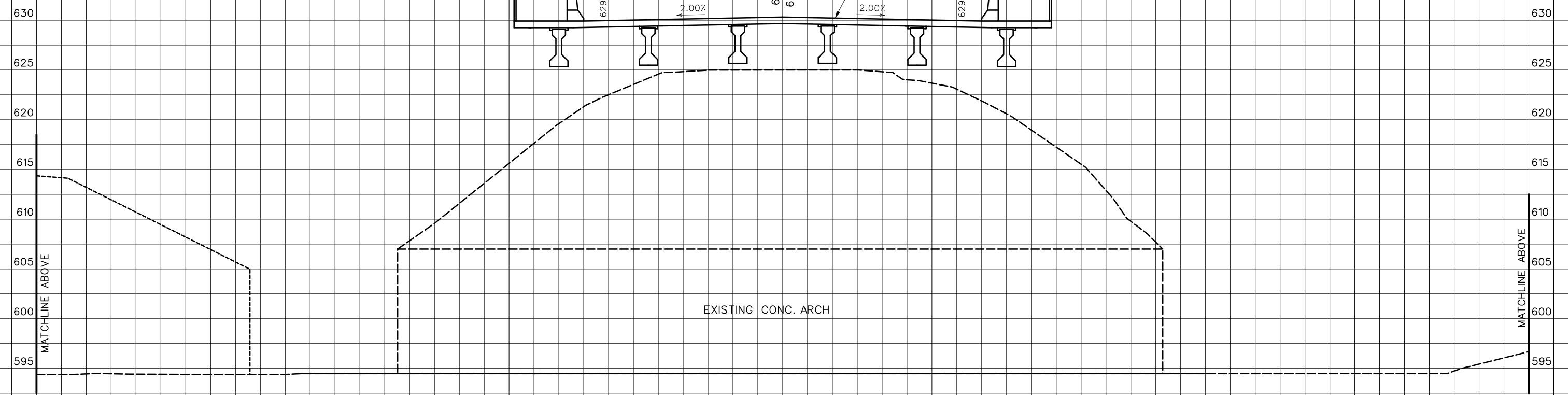
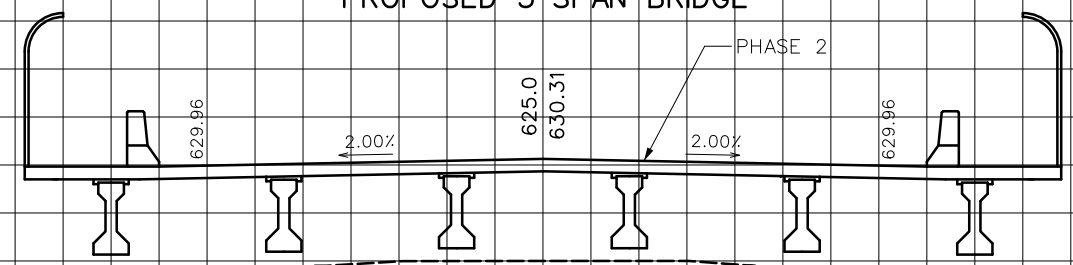
SURF. DT. LT. ROCK COM EMB REFILL SURF. DT. RT. EMB BENCH

SURF. DT. LT. ROCK COM EMB REFILL SURF. DT. RT. EMB BENCH

© WHITE OAK CREEK
DETOUR - PHASE 1
88.17' LT. - SEE
DETOUR X-SECTIONS



PROPOSED 3-SPAN BRIDGE



EXISTING CONC. ARCH

141 + 40

SCALE: 1" = 5' HORIZONTAL
1" = 5' VERTICAL

CROSS SECTION SHEET
STA. 141+40
KY 89 RELOCATION

MicroStation v8.11.7.443
 E-SHEET NAME: X19300XS
 USER: jsilganitz
 DATE PLOTTED: December 2, 2012
 FILE NAME: T:\2498 PHASE2\SOUTHEND\SHEETS\XSECTS\X89XS.DGN

END AREAS, SQ. FT.

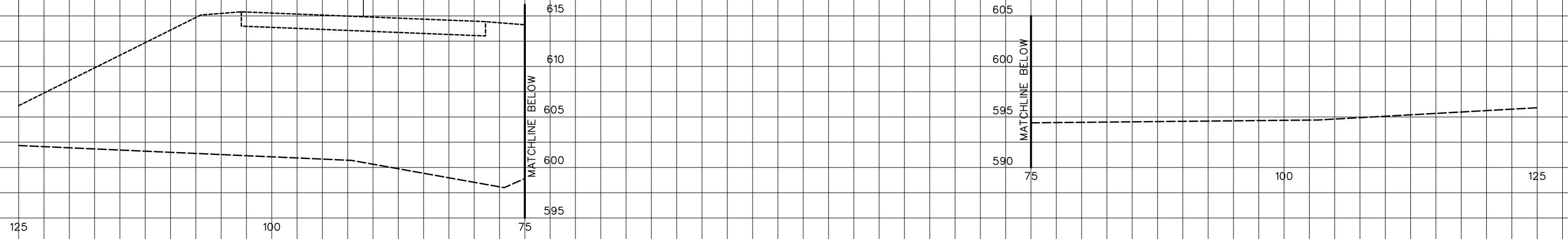
SURF. DT. LT. ROCK COM EMB REFILL SURF. DT. RT. EMB BENCH

VOLUMES, CU. YD.

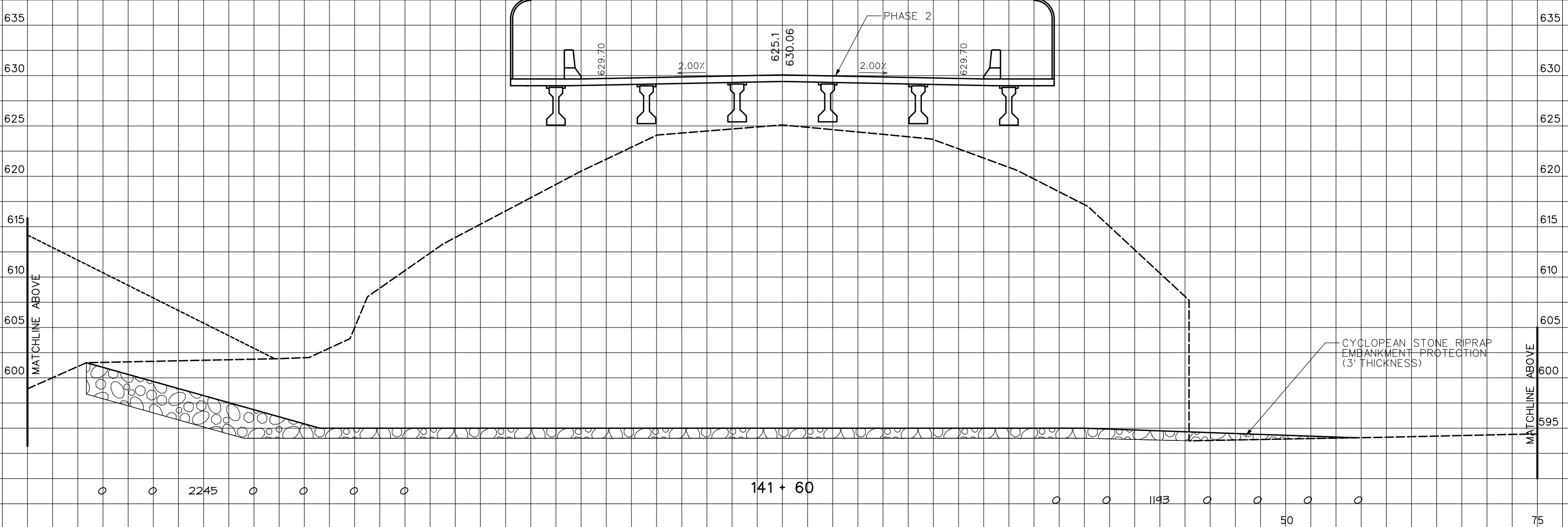
SURF. DT. LT. ROCK COM EMB REFILL SURF. DT. RT. EMB BENCH

COUNTY OF	ITEM NO.	SHEET NO.
ESTILL	10-363.10	X194

WHITE OAK CREEK
DETOUR - PHASE 1
90.95' LT. - SEE
DETOUR X-SECTIONS



PROPOSED 3-SPAN BRIDGE



SCALE: 1" = 5' HORIZONTAL
1" = 5' VERTICAL

CROSS SECTION SHEET
STA. 141+60
KY 89 RELOCATION

FILE NAME: T:\2498 PHASE2\SOUTHEND\SHEETS\XSECTS\X89XS.DGN

USER: jsjgantz
DATE PLOTTED: December 2, 2012

E-SHEET NAME: X19400XS

MicroStation v8.11.7.443

END AREAS, SQ. FT.

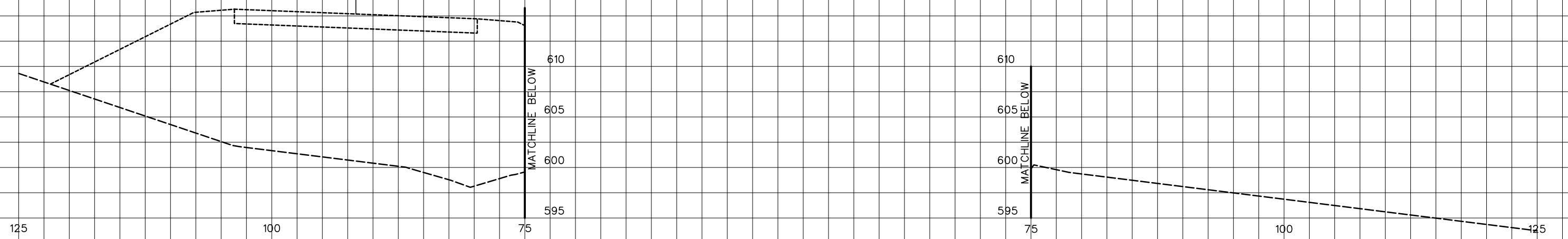
SURF. DT. LT. ROCK COM EMB REFILL SURF. DT. RT. EMB BENCH

VOLUMES, CU. YD.

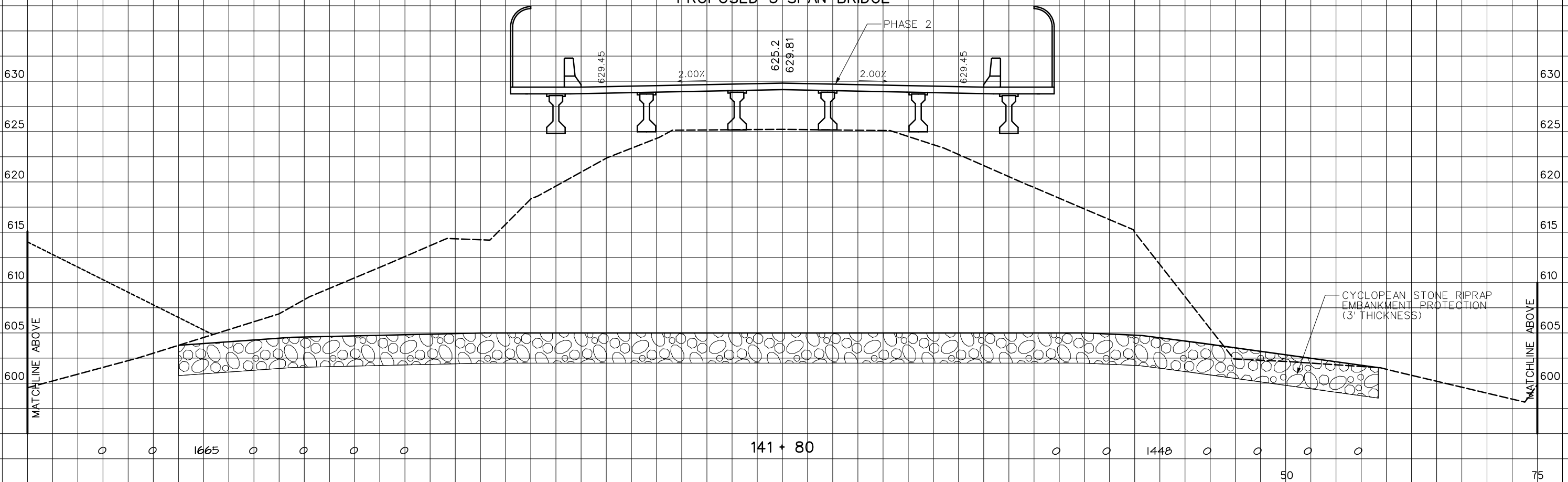
SURF. DT. LT. ROCK COM EMB REFILL SURF. DT. RT. EMB BENCH

COUNTY OF	ITEM NO.	SHEET NO.
ESTILL	10-363.10	X195

© WHITE OAK CREEK
DETOUR - PHASE 1
9169' LT. - SEE
DETOUR X-SECTIONS



PROPOSED 3-SPAN BRIDGE



141 + 80

SCALE: 1" = 5' HORIZONTAL
1" = 5' VERTICAL

CROSS SECTION SHEET
STA. 141+80
KY 89 RELOCATION

MicroStation v8.11.7.443
 E-SHEET NAME: X19500XS
 USER: jsjugantz
 DATE PLOTTED: December 2, 2012
 FILE NAME: T:\2498 PHASE2\SOUTHEND\SHEETS\XSECTS\X89XS.DGN

END AREAS, SQ. FT.

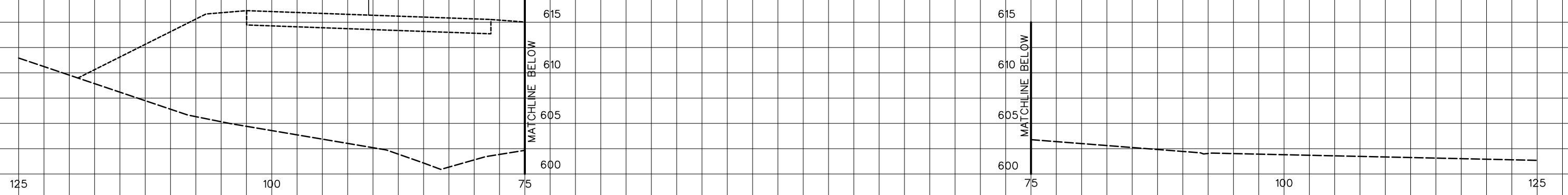
VOLUMES, CU. YD.

COUNTY OF	ITEM NO.	SHEET NO.
ESTILL	10-363.10	X196

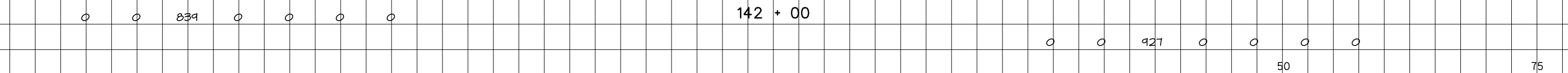
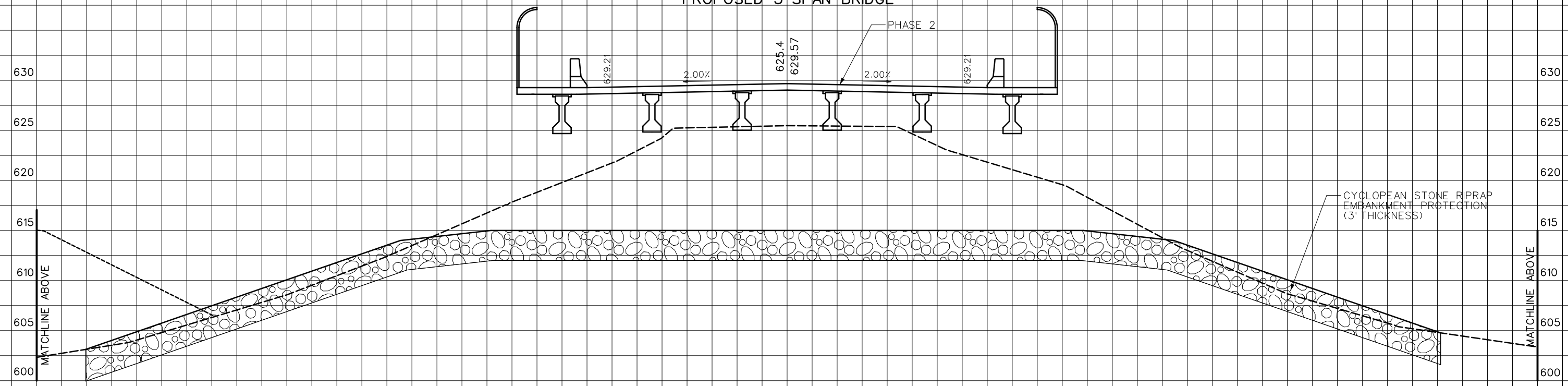
SURF. DT. LT. ROCK COM EMB REFILL SURF. DT. RT. EMB BENCH

SURF. DT. LT. ROCK COM EMB REFILL SURF. DT. RT. EMB BENCH

WHITE OAK CREEK
DETOUR - PHASE 1
90.43' L.I. - SEE
DETOUR X-SECTIONS



PROPOSED 3-SPAN BRIDGE



142 + 00

SCALE: 1" = 5' HORIZONTAL
1" = 5' VERTICAL

CROSS SECTION SHEET
STA. 142+00
KY 89 RELOCATION

MicroStation v8.11.7.443
 E-SHEET NAME: X19600XS
 USER: jsjugantz
 DATE PLOTTED: December 2, 2012
 FILE NAME: T:\249B PHASE2\SOUTHEND\SHEETS\XSECTS\X89XS.DGN

END AREAS, SQ. FT.

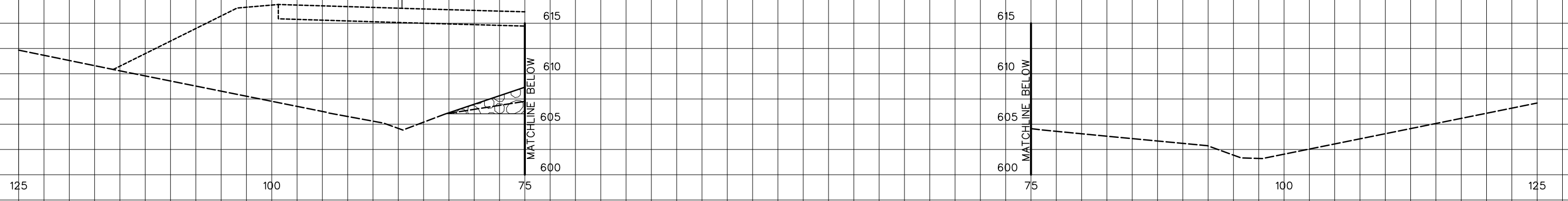
VOLUMES, CU. YD.

COUNTY OF	ITEM NO.	SHEET NO.
ESTILL	10-363.10	X197

SURF. DT. LT. ROCK COM EMB REFILL SURF. DT. RT. EMB BENCH

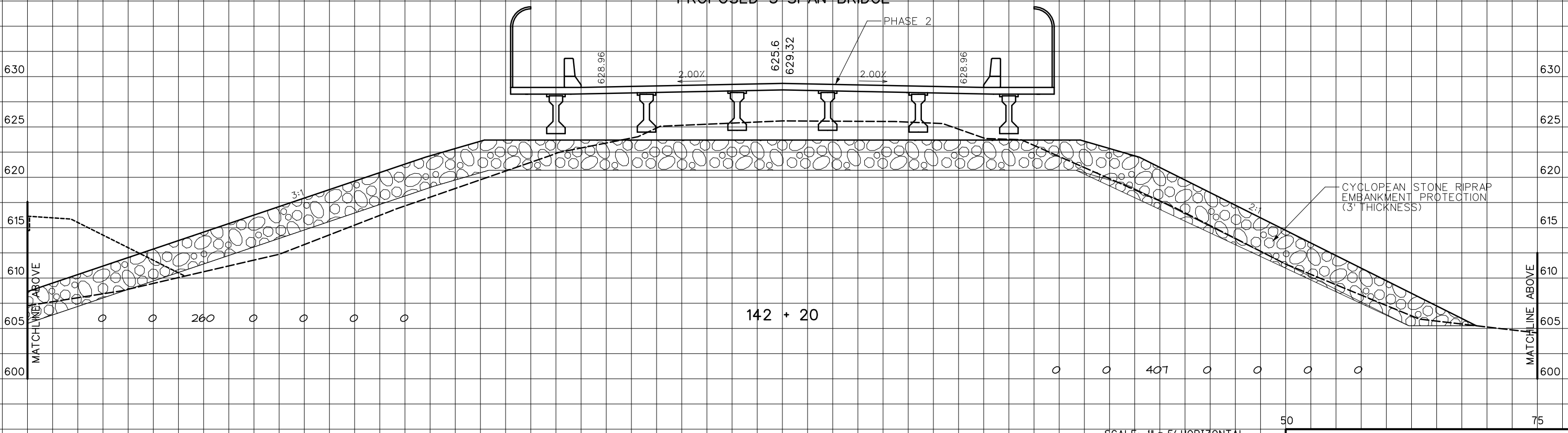
SURF. DT. LT. ROCK COM EMB REFILL SURF. DT. RT. EMB BENCH

WHITE OAK CREEK
DETOUR - PHASE 1
OFF SET 87.13' - SEE
DETOUR X-SECTIONS



LT. - RT. STA. 142+22.97 - BEGIN 25:1 SHOULDER TAPER

PROPOSED 3-SPAN BRIDGE



SCALE: 1" = 5' HORIZONTAL
1" = 5' VERTICAL

CROSS SECTION SHEET
STA. 142+20
KY 89 RELOCATION

FILE NAME: T:\2498 PHASE2\SOUTHEND\SHEETS\XSECTS\X89XS.DGN

USER: jsjugantz
DATE PLOTTED: December 2, 2012

E-SHEET NAME: X19700XS

MicroStation v8.11.7.443

END AREAS, SQ. FT.

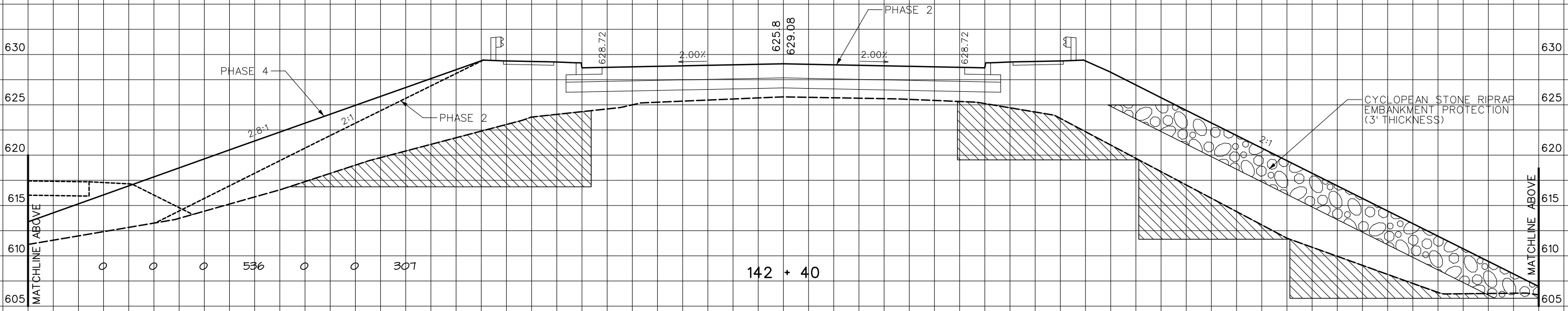
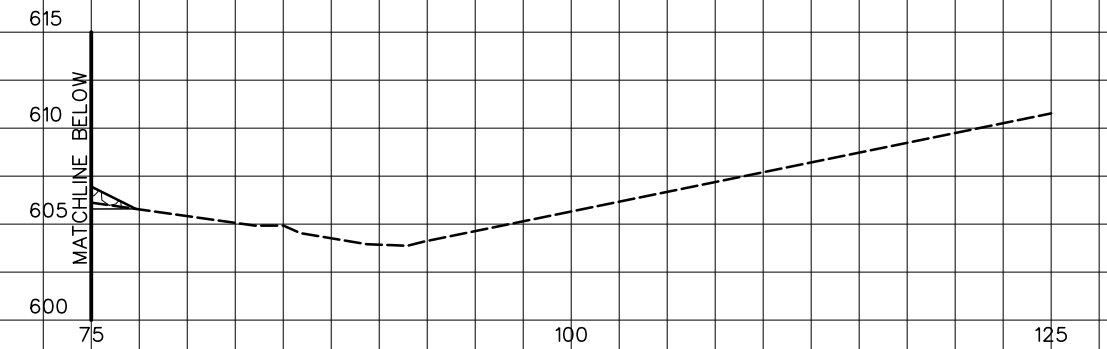
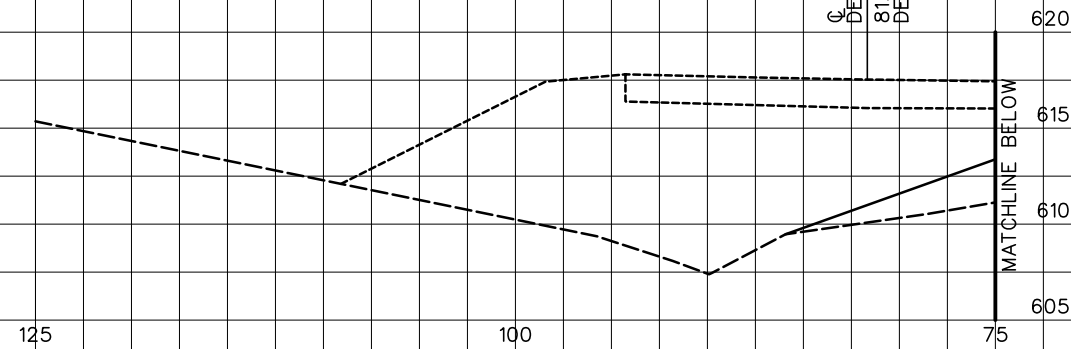
VOLUMES, CU. YD.

COUNTY OF	ITEM NO.	SHEET NO.
ESTILL	10-363.10	X198

SURF. DT. LT. ROCK COM EMB REFILL SURF. DT. RT. EMB BENCH

SURF. DT. LT. ROCK COM EMB REFILL SURF. DT. RT. EMB BENCH

WHITE OAK CREEK
DETOUR - PHASE 1
81.67 LT. - SEE
DETOUR X-SECTIONS



FILE NAME: T:\2498 PHASE2\SOUTHEND\SHEETS\XSECTS\X89XS.DGN

USER: JSUGANTZ
DATE PLOTTED: December 2, 2012

E-SHEET NAME: X19800XS

MicroStation v8.11.7.443

SCALE: 1" = 5' HORIZONTAL
1" = 5' VERTICAL

CROSS SECTION SHEET
STA. 142+40
KY 89 RELOCATION

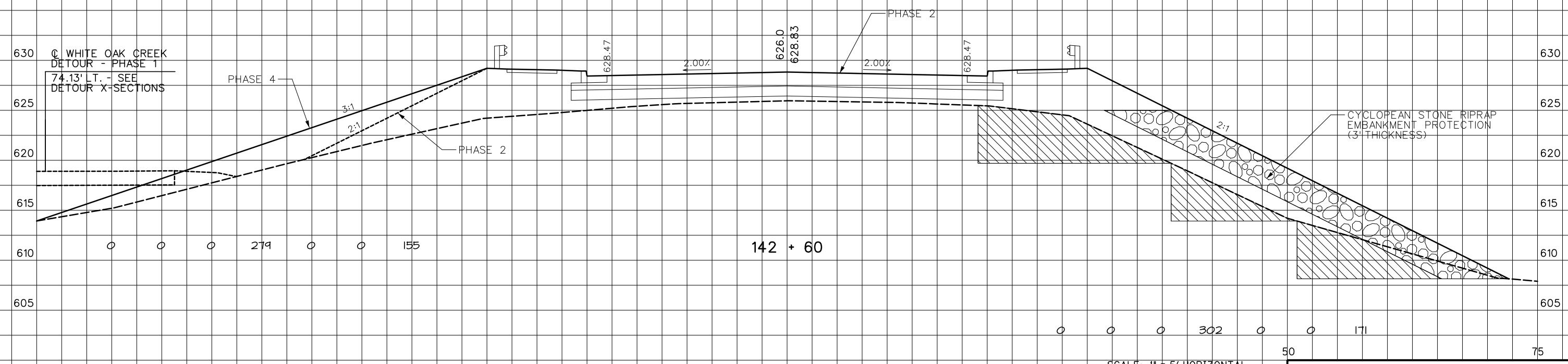
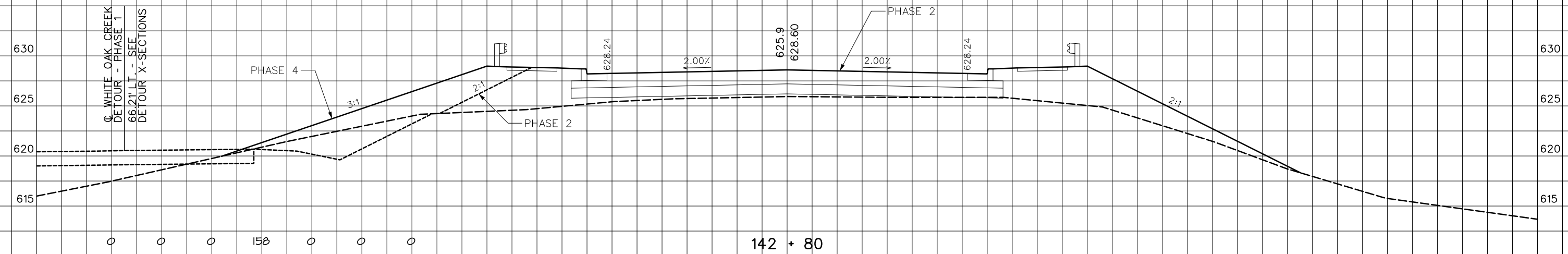
END AREAS, SQ. FT.

VOLUMES, CU. YD.

COUNTY OF	ITEM NO.	SHEET NO.
ESTILL	10-363.10	X199

SURF. DT. LT. ROCK COM EMB REFILL SURF. DT. RT. EMB BENCH

SURF. DT. LT. ROCK COM EMB REFILL SURF. DT. RT. EMB BENCH



SCALE: 1" = 5' HORIZONTAL
1" = 5' VERTICAL

CROSS SECTION SHEET
STA. 142+60 TO STA. 142+80
KY 89 RELOCATION

FILE NAME: T:\2498 PHASE2\SOUTHEND\SHEETS\XSECTS\X199XS.DGN

USER: jsugantz
DATE PLOTTED: December 2, 2012

E-SHEET NAME: X19900XS

MicroStation v8.11.7.443

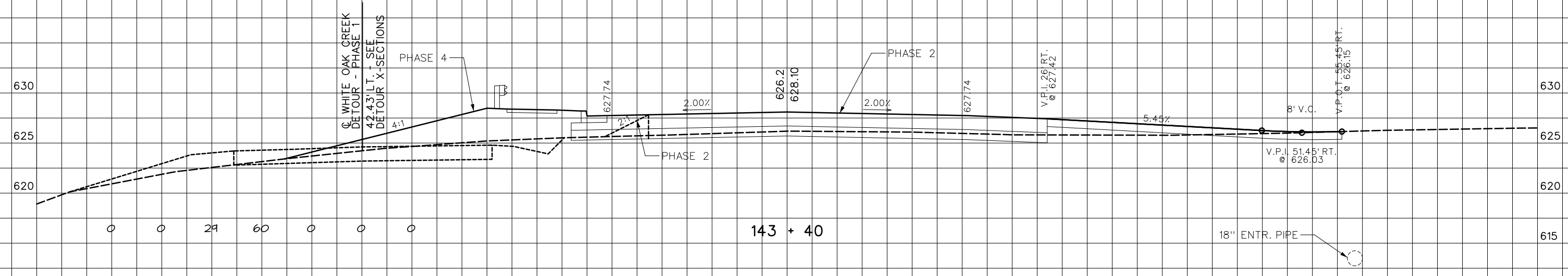
END AREAS, SQ. FT.

VOLUMES, CU. YD.

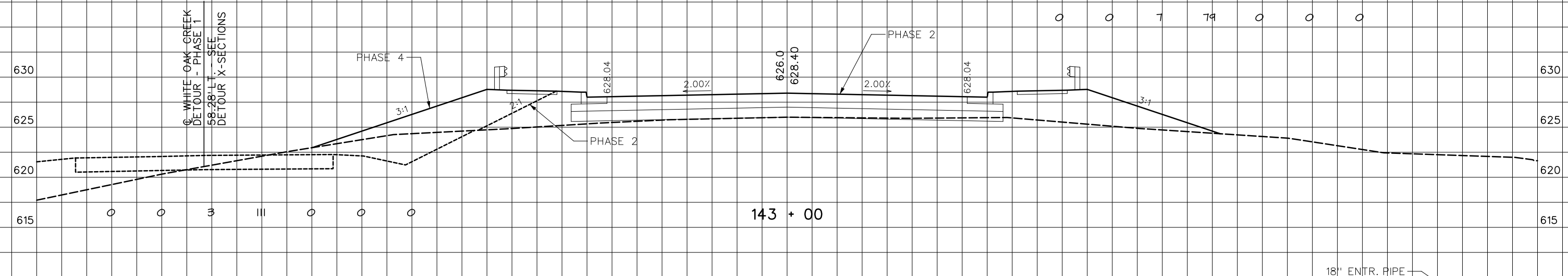
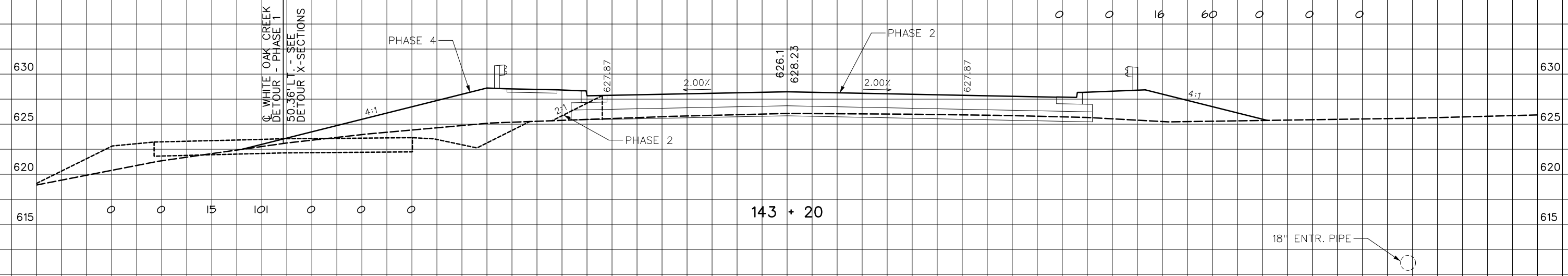
COUNTY OF	ITEM NO.	SHEET NO.
ESTILL	10-363.10	X200

SURF. DT. LT. ROCK COM EMB REFILL SURF. DT. RT. EMB BENCH

SURF. DT. LT. ROCK COM EMB REFILL SURF. DT. RT. EMB BENCH



LT. - RT. STA. 143+22.97 - END 25:1 SHOULDER TAPER, BEGIN NORMAL SHOULDER



SCALE: 1" = 5' HORIZONTAL
1" = 5' VERTICAL

CROSS SECTION SHEET
STA. 143+00 TO STA. 143+40
KY 89 RELOCATION

MicroStation v8.11.7.443 E-SHEET NAME: X20000XS USER: jsjgantz DATE PLOTTED: December 2, 2012 FILE NAME: T:\2498 PHASE2\SOUTHEND\SHEETS\XSECTS\X89XS.DGN

END AREAS, SQ. FT.

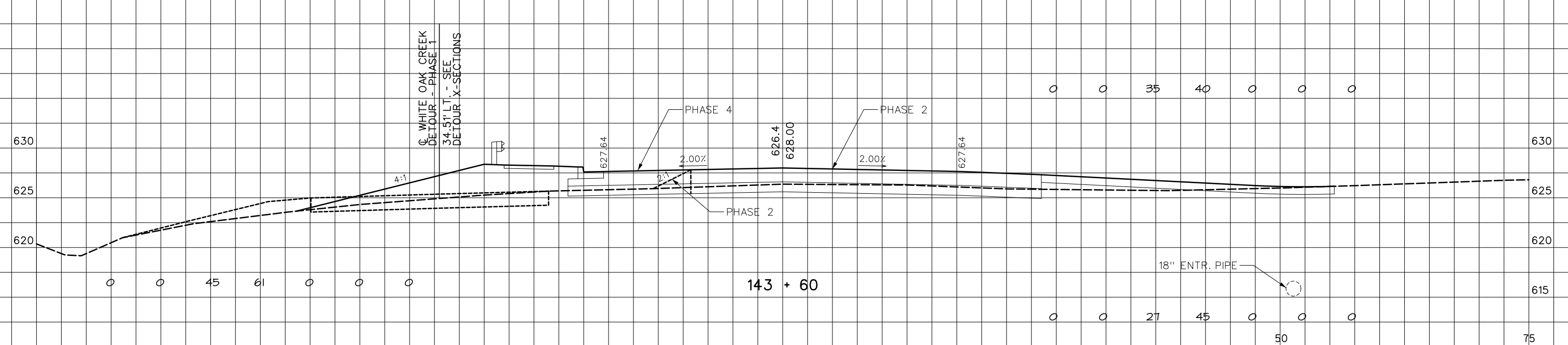
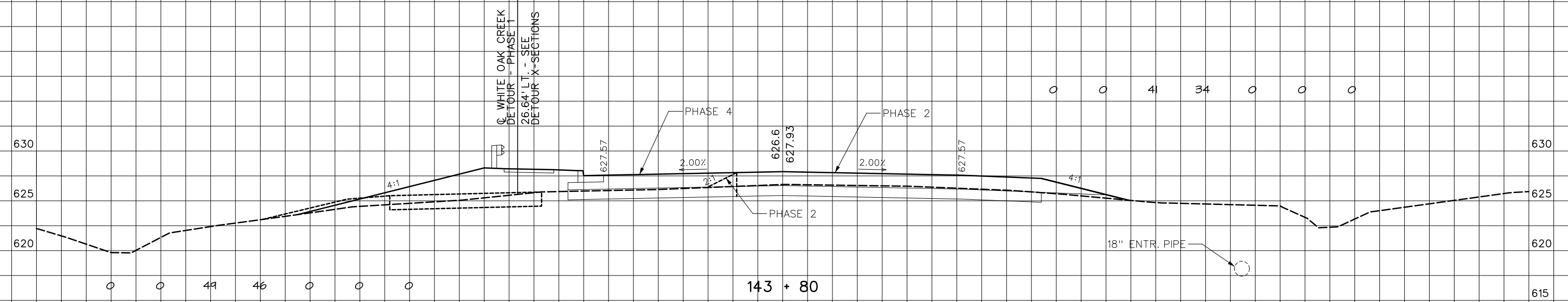
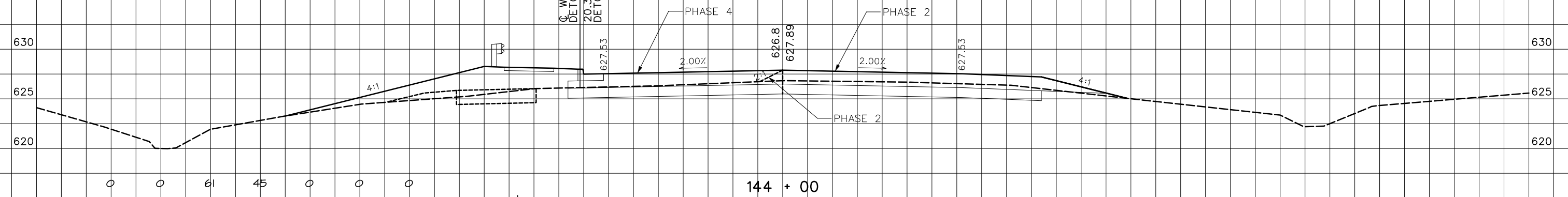
VOLUMES, CU. YD.

COUNTY OF	ITEM NO.	SHEET NO.
ESTILL	10-363.10	X201

SURF. DT. LT. ROCK COM EMB REFILL SURF. DT. RT. EMB BENCH

SURF. DT. LT. ROCK COM EMB REFILL SURF. DT. RT. EMB BENCH

STA. 144+07.42 - END NORMAL CROWN



SCALE: 1" = 5' HORIZONTAL
1" = 5' VERTICAL

CROSS SECTION SHEET
STA. 143+60 TO STA. 144+00
KY 89 RELOCATION

MicroStation v8.11.7.443
 E-SHEET NAME: X20100XS
 USER: jsilgantz
 DATE PLOTTED: December 2, 2012
 FILE NAME: T:\2498 PHASE2\SOUTHEND\SHEETS\XSECTS\X89XS.DGN

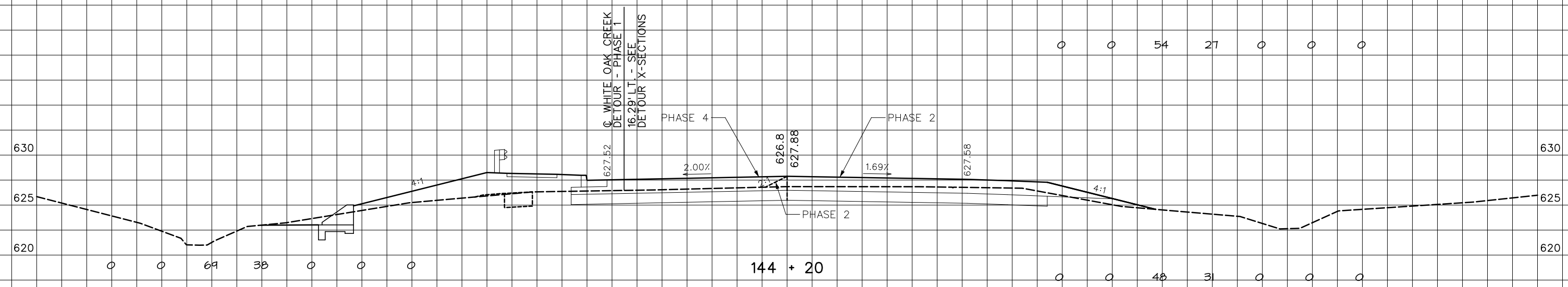
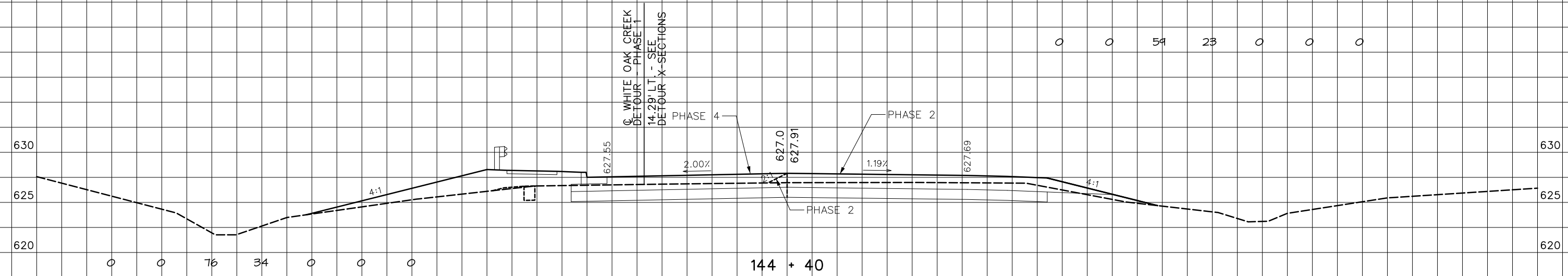
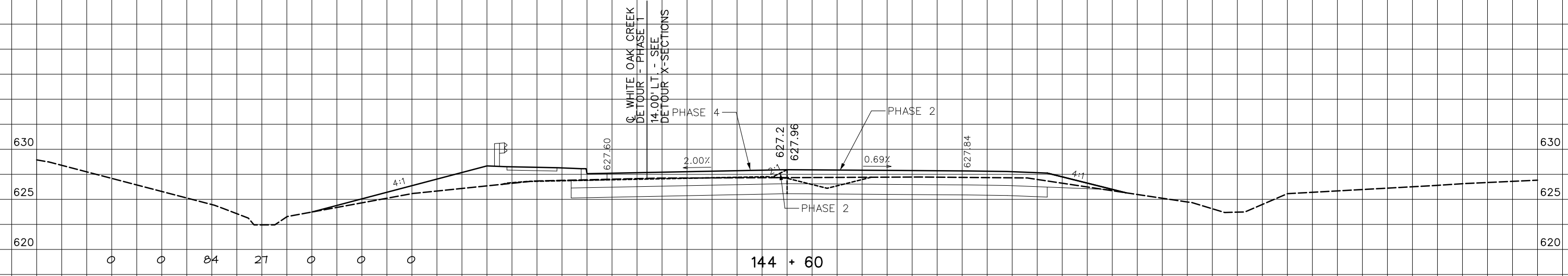
END AREAS, SQ. FT.

VOLUMES, CU. YD.

COUNTY OF	ITEM NO.	SHEET NO.
ESTILL	10-363.10	X202

SURF. DT. LT. ROCK COM EMB REFILL SURF. DT. RT. EMB BENCH

SURF. DT. LT. ROCK COM EMB REFILL SURF. DT. RT. EMB BENCH



SCALE: 1" = 5' HORIZONTAL
1" = 5' VERTICAL

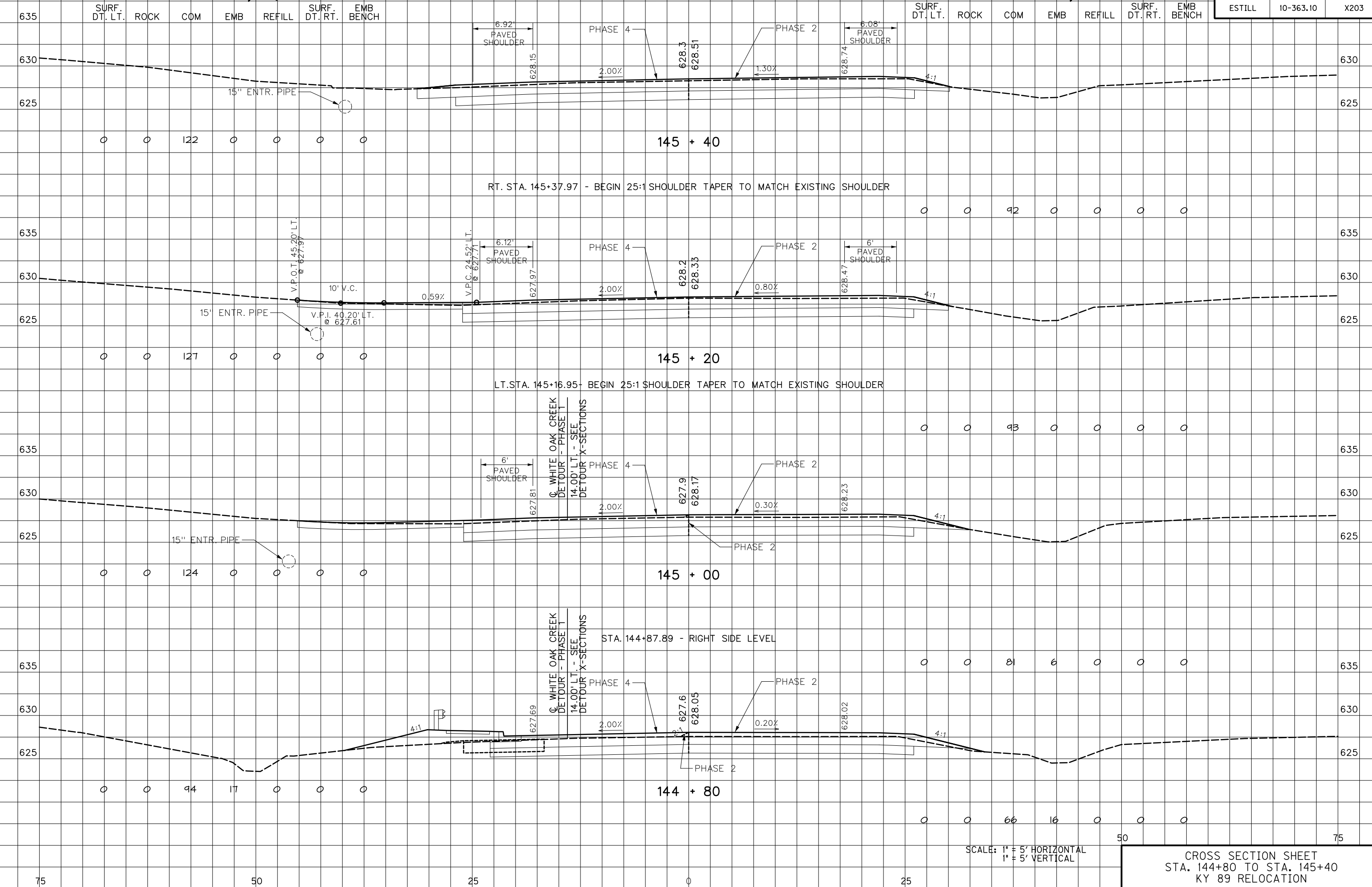
CROSS SECTION SHEET
STA. 144+20 TO STA. 144+60
KY 89 RELOCATION

MicroStation v8.11.7.443
 E-SHEET NAME: X20200XS
 USER: jsilgantz
 DATE PLOTTED: December 2, 2012
 FILE NAME: T:\2498 PHASE2\SOUTHEND\SHEETS\XSECTS\X89XS.DGN

END AREAS, SQ. FT.

VOLUMES, CU. YD.

COUNTY OF	ITEM NO.	SHEET NO.
ESTILL	10-363.10	X203



FILE NAME: T:\2498 PHASE2\SOUTHEND\SHEETS\XSECTS\X89XS.DGN

USER: jsjugantz
DATE PLOTTED: December 2, 2012

E-SHEET NAME: X20300XS

MicroStation v8.11.7.443

CROSS SECTION SHEET
STA. 144+80 TO STA. 145+40
KY 89 RELOCATION

END AREAS, SQ. FT.

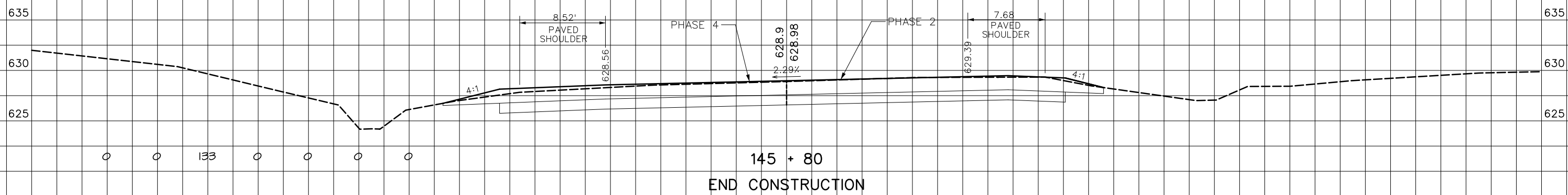
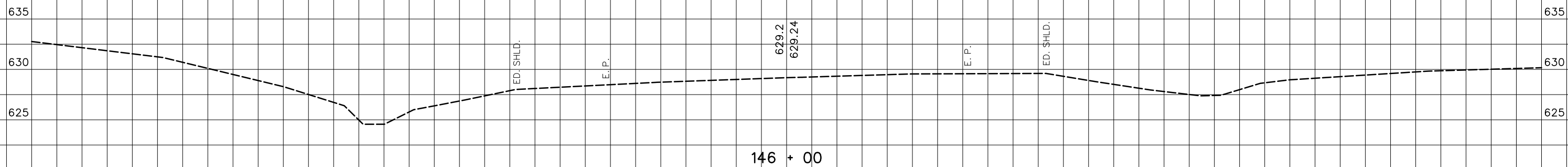
VOLUMES, CU. YD.

COUNTY OF	ITEM NO.	SHEET NO.
ESTILL	10-363.10	X204

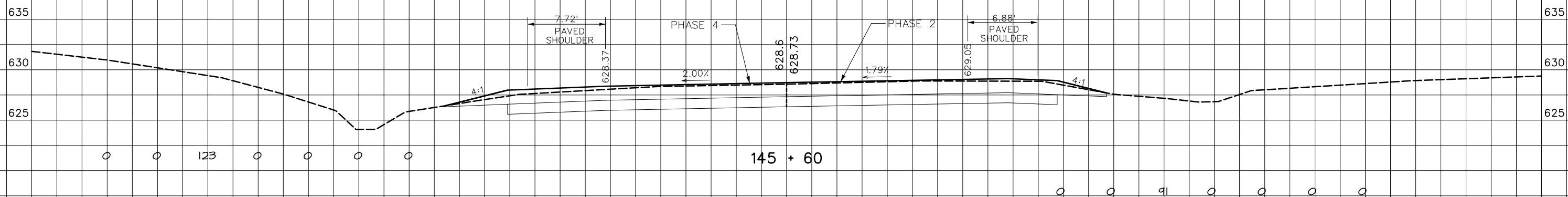
SURF. DT. LT. ROCK COM EMB REFILL SURF. DT. RT. EMB BENCH

SURF. DT. LT. ROCK COM EMB REFILL SURF. DT. RT. EMB BENCH

TOTALS: 232 73 50193 7972 0 64 1492



LT. - RT. STA. 145+80.00 - END 25:1 SHOULDER TAPER, MATCH EXISTING SHOULDER



SCALE: 1" = 5' HORIZONTAL
1" = 5' VERTICAL

CROSS SECTION SHEET
STA. 145+60 TO STA. 146+00
KY 89 RELOCATION

FILE NAME: T:\2498 PHASE2\SOUTHEND\SHEETS\XSECTS\X89XS.DGN

USER: jsilganitz
DATE PLOTTED: December 2, 2012

E-SHEET NAME: X20300XS

MicroStation v8.11.7.443

75

50

25

0

25

50

75

END AREAS, SQ. FT.

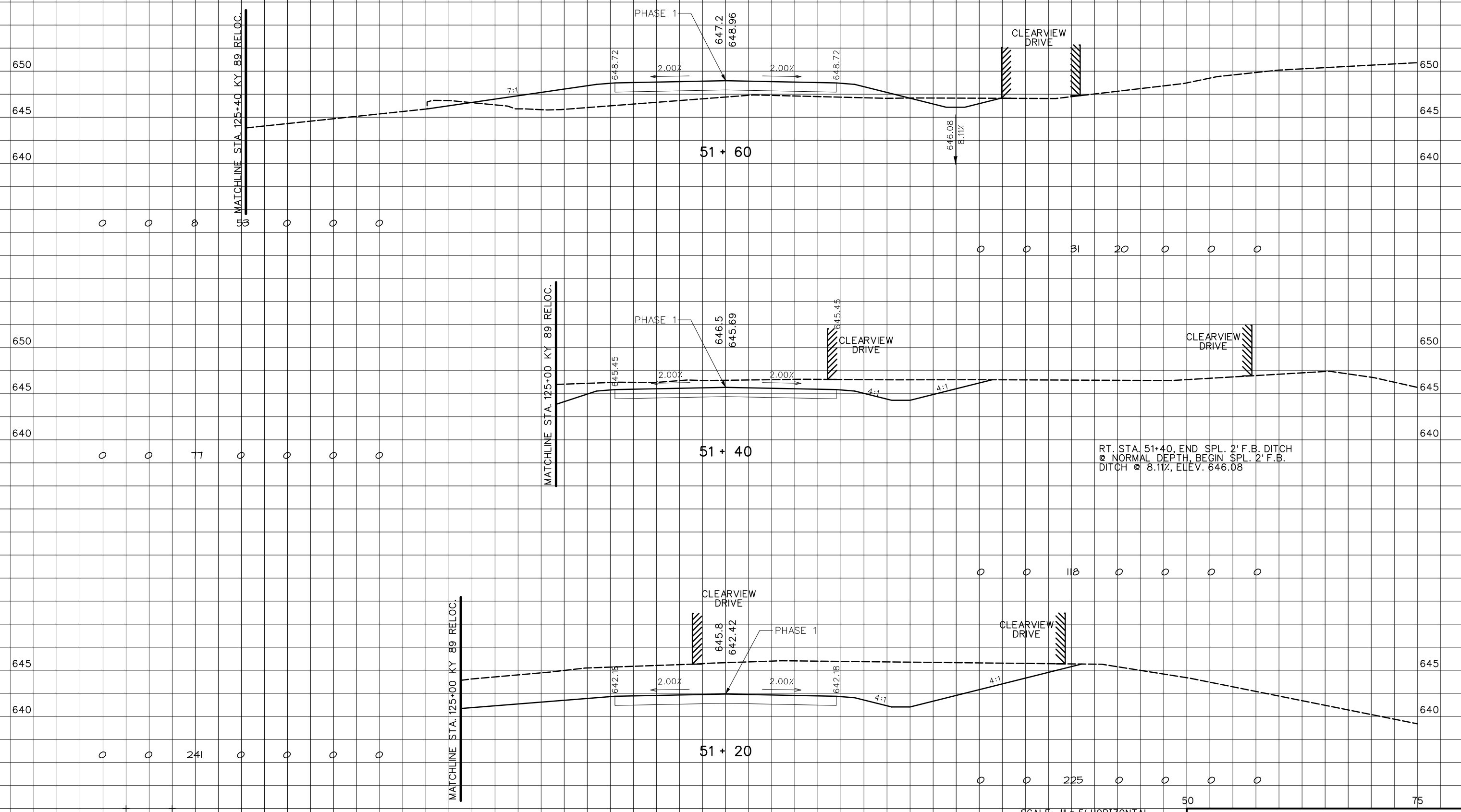
VOLUMES, CU. YD.

COUNTY OF	ITEM NO.	SHEET NO.
ESTILL	10-363.10	X207

SURF. DT. LT.	ROCK	COM	EMB	REFILL	SURF. DT. RT.	EMB BENCH
---------------	------	-----	-----	--------	---------------	-----------

SURF. DT. LT.	ROCK	COM	EMB	REFILL	SURF. DT. RT.	EMB BENCH
---------------	------	-----	-----	--------	---------------	-----------

LT. STA. 51+61.54, END 15" ENTRANCE PIPE, TIE TO EXIST. DITCH, ELEV. 640.00



RT. STA. 51+40, END SPL. 2' F.B. DITCH @ NORMAL DEPTH, BEGIN SPL. 2' F.B. DITCH @ 8.11%, ELEV. 646.08

SCALE: 1" = 5' HORIZONTAL
1" = 5' VERTICAL

CROSS SECTION SHEET
STA. 51+20 TO 51+60
CLEARVIEW DRIVE RELOCATION

MicroStation v8.11.7.443
 E-SHEET NAME: X20700XS
 USER: jsilganitz
 DATE PLOTTED: December 2, 2012
 FILE NAME: T:\2498 PHASE2\SOUTHEND\SHEETS\XSECTS\CLRVIEW5.DGN

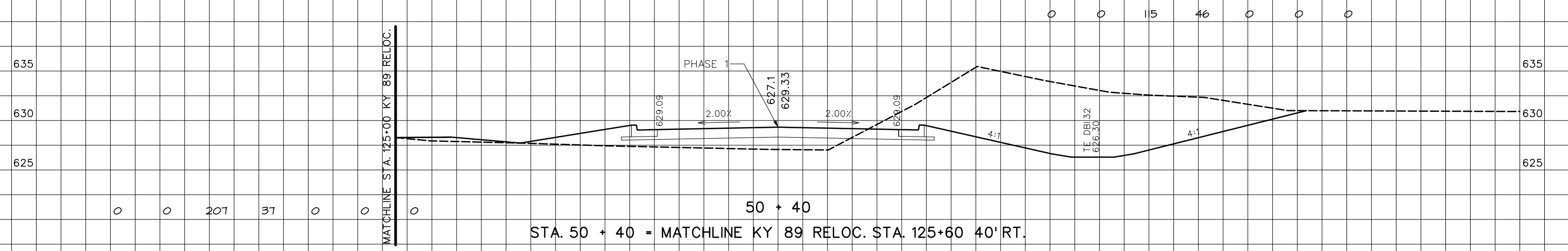
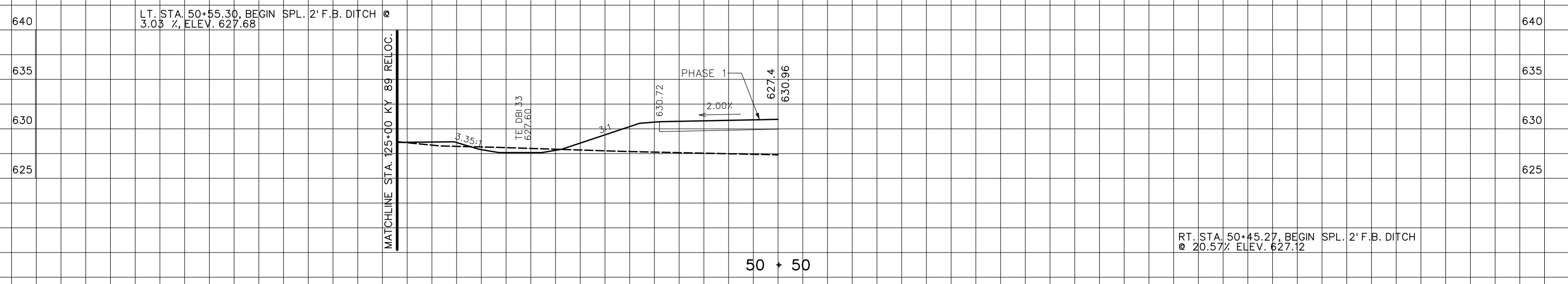
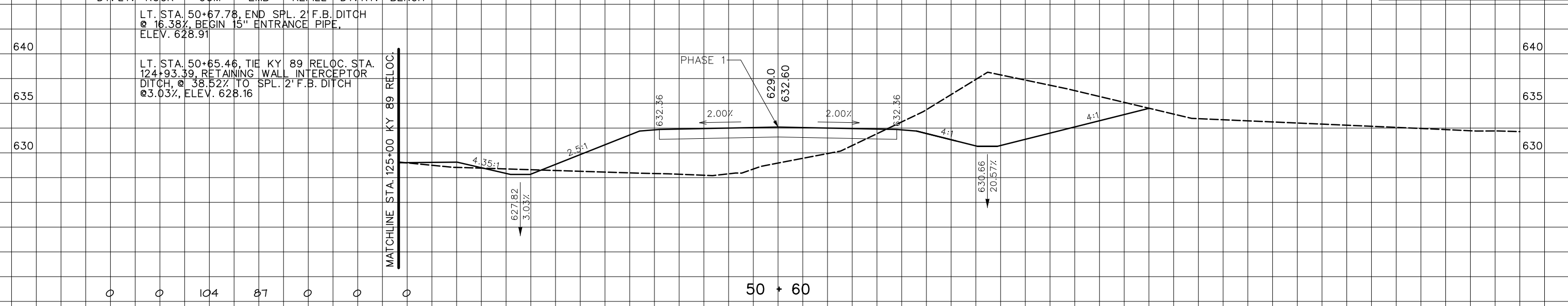
END AREAS, SQ. FT.

VOLUMES, CU. YD.

COUNTY OF	ITEM NO.	SHEET NO.
ESTILL	10-363.10	X205

SURF. DT. LT.	ROCK	COM	EMB	REFILL	SURF. DT. RT.	EMB BENCH
---------------	------	-----	-----	--------	---------------	-----------

SURF. DT. LT.	ROCK	COM	EMB	REFILL	SURF. DT. RT.	EMB BENCH
---------------	------	-----	-----	--------	---------------	-----------



STA. 50 + 40 = MATCHLINE KY 89 RELOC. STA. 125+60 40' RT.

SCALE: 1" = 5' HORIZONTAL
1" = 5' VERTICAL

CROSS SECTION SHEET
STA. 50+40 TO 50+60
CLEARVIEW DRIVE RELOCATION

MicroStation v8.11.7.443
 E-SHEET NAME: X20600XS
 USER: jsjgantz
 DATE PLOTTED: December 2, 2012
 FILE NAME: T:\2498 PHASE2\SOUTHEND\SHEETS\XSECTS\CLR\WXS.DGN

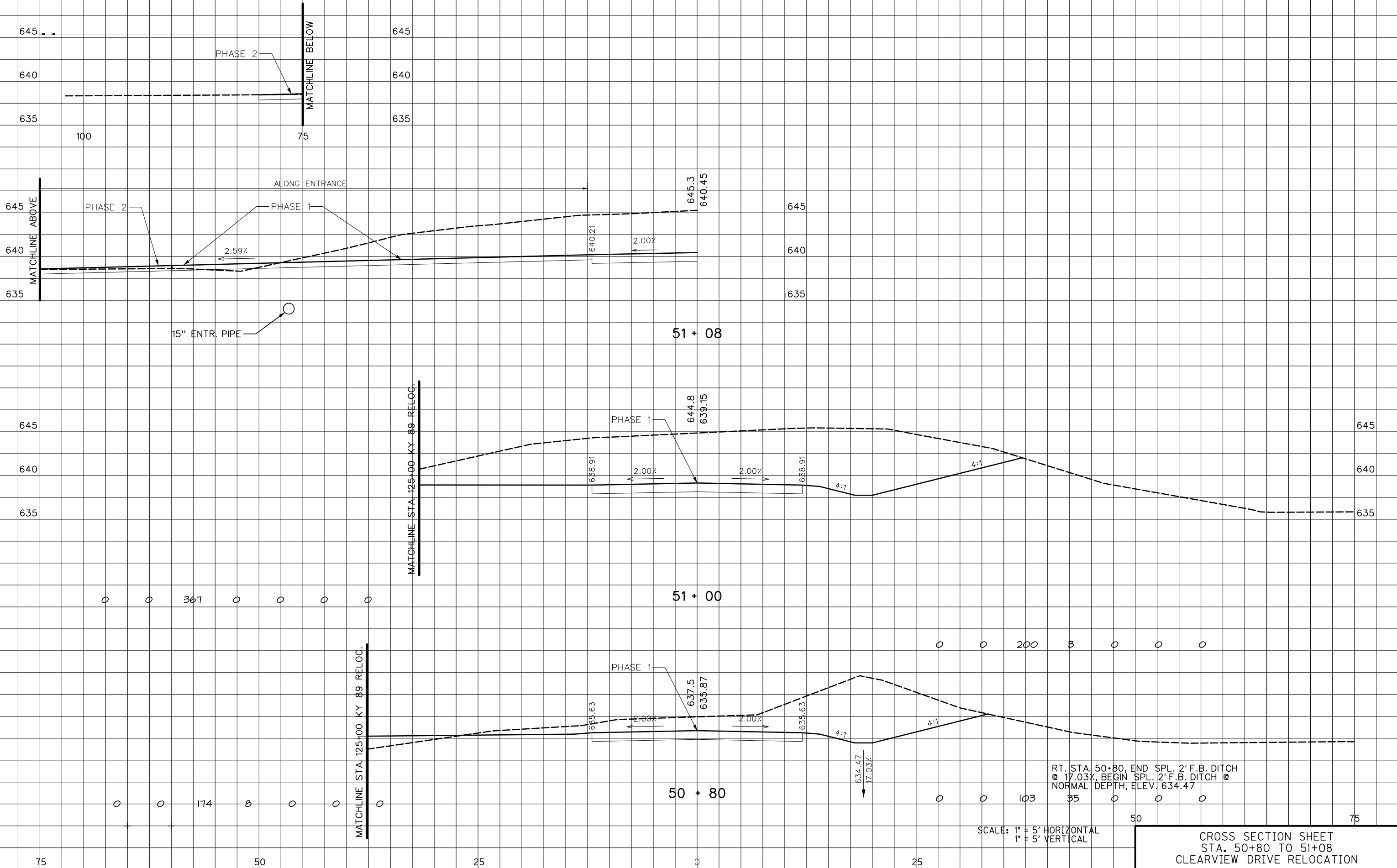
END AREAS, SQ. FT.

VOLUMES, CU. YD.

COUNTY OF	ITEM NO.	SHEET NO.
ESTILL	10-363.10	X206

SURF. DT. LT. ROCK COM EMB REFILL SURF. DT. RT. EMB BENCH

SURF. DT. LT. ROCK COM EMB REFILL SURF. DT. RT. EMB BENCH



SCALE: 1" = 5' HORIZONTAL
1" = 5' VERTICAL

CROSS SECTION SHEET
STA. 50+80 TO 51+08
CLEARVIEW DRIVE RELOCATION

MicroStation v8.11.7.443
 E-SHEET NAME: X20600XS
 USER: jsilganitz
 DATE PLOTTED: December 2, 2012
 FILE NAME: T:\2498 PHASE2\SOUTHEND\SHEETS\XSECTS\CLRVIEW5.DGN

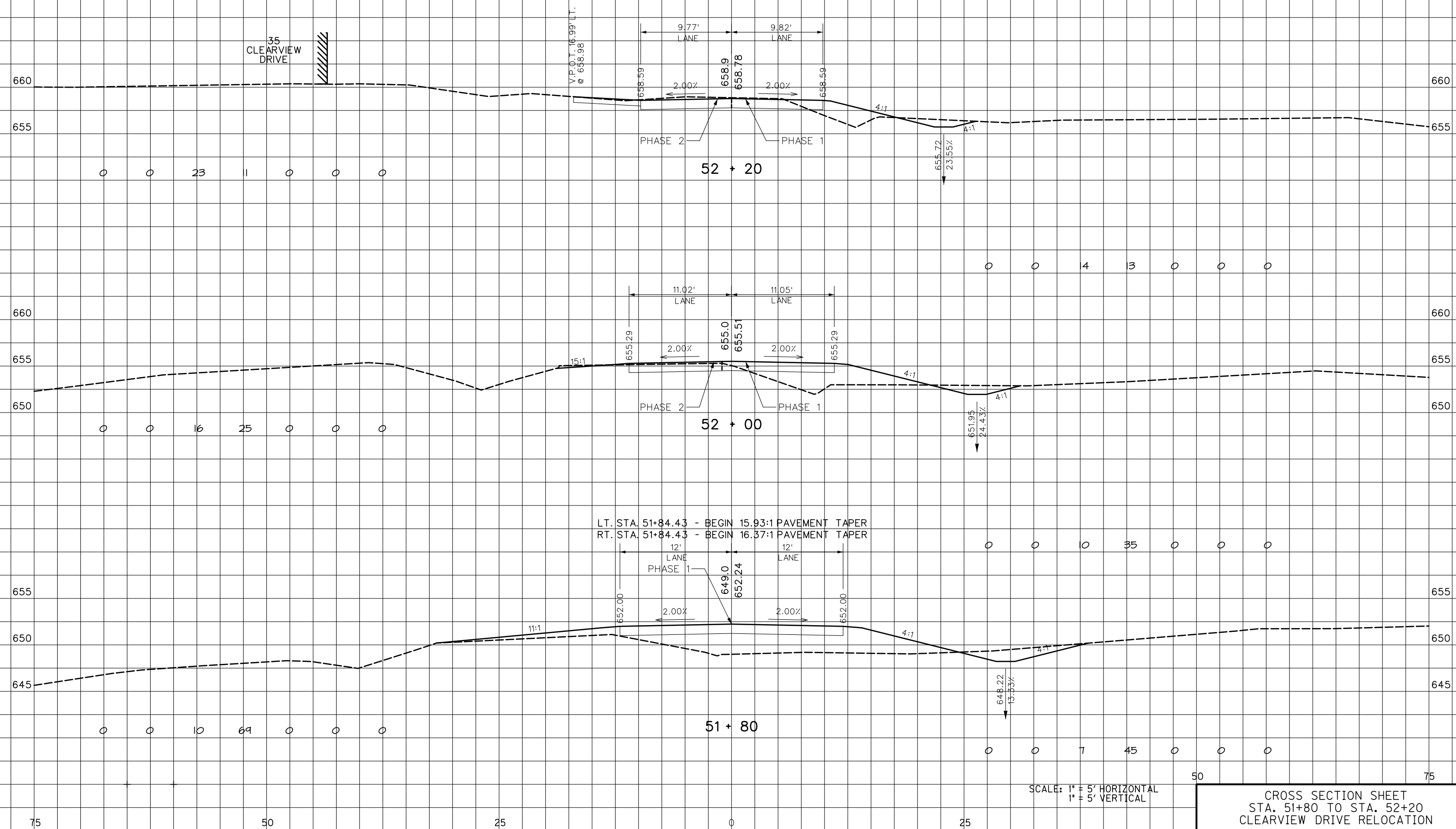
END AREAS, SQ. FT.

VOLUMES, CU. YD.

COUNTY OF	ITEM NO.	SHEET NO.
ESTILL	10-363.10	X208

SURF. DT. LT. ROCK COM EMB REFILL SURF. DT. RT. EMB BENCH

SURF. DT. LT. ROCK COM EMB REFILL SURF. DT. RT. EMB BENCH



SCALE: 1" = 5' HORIZONTAL
 1" = 5' VERTICAL

CROSS SECTION SHEET
 STA. 51+80 TO STA. 52+20
 CLEARVIEW DRIVE RELOCATION

MicroStation v8.11.7.443
 E-SHEET NAME: X20800XS
 USER: jsilgantz
 DATE PLOTTED: December 2, 2012
 FILE NAME: T:\2498 PHASE2\SOUTHEND\SHEETS\XSECTS\CLRVIEW5.DGN

END AREAS, SQ. FT.

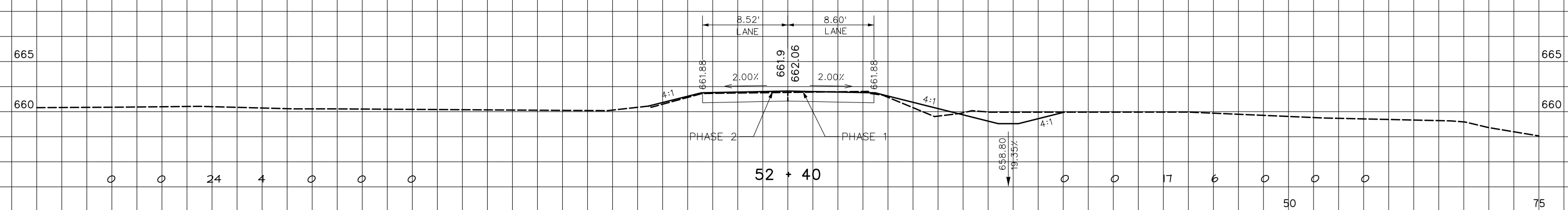
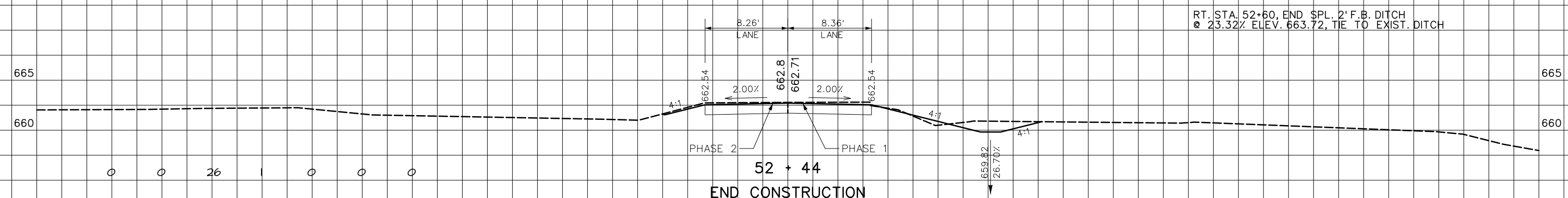
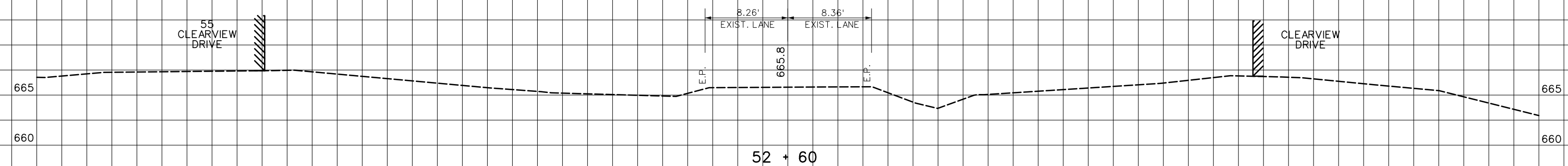
VOLUMES, CU. YD.

COUNTY OF	ITEM NO.	SHEET NO.
ESTILL	10-363.10	X209

SURF. DT. LT. ROCK COM EMB REFILL SURF. DT. RT. EMB BENCH

SURF. DT. LT. ROCK COM EMB REFILL SURF. DT. RT. EMB BENCH

TOTALS: 0 0 730 157 0 0 0



SCALE: 1" = 5' HORIZONTAL
1" = 5' VERTICAL

CROSS SECTION SHEET
STA. 52+40 TO STA. 52+44
CLEARVIEW DRIVE RELOCATION

FILE NAME: T:\2498\PHASE2\SOUTHEND\SHEETS\XSECTS\CLR\RWX5.DGN
 USER: jsilganitz
 DATE PLOTTED: December 2, 2012
 E-SHEET NAME: X20900XS
 MicroStation v8.11.7.443

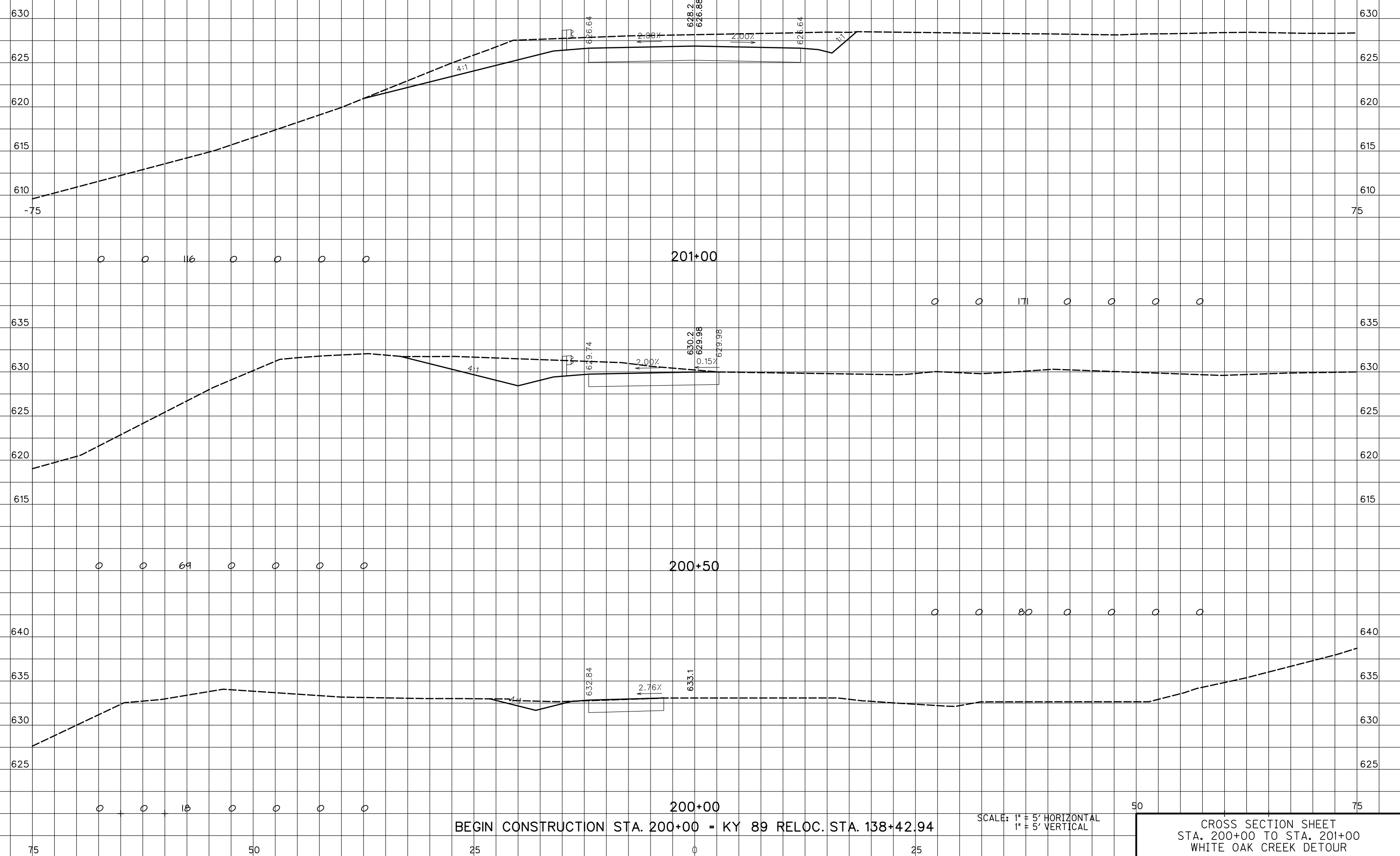
END AREAS, SQ. FT.

VOLUMES, CU. YD.

COUNTY OF	ITEM NO.	SHEET NO.
ESTILL	10-363.10	X210

SURF. DT. LT. ROCK COM EMB REFILL SURF. DT. RT. EMB BENCH

SURF. DT. LT. ROCK COM EMB REFILL SURF. DT. RT. EMB BENCH



BEGIN CONSTRUCTION STA. 200+00 = KY 89 RELOC. STA. 138+42.94

SCALE: 1" = 5' HORIZONTAL
1" = 5' VERTICAL

CROSS SECTION SHEET
STA. 200+00 TO STA. 201+00
WHITE OAK CREEK DETOUR

MicroStation v8.11.7.443
 E-SHEET NAME: X21000XS
 USER: AChadwell
 DATE PLOTTED: December 2, 2012
 FILE NAME: T:\2498 PHASE2\SOUTHEND\SHEETS\XSECTS\DETOURXS.DGN

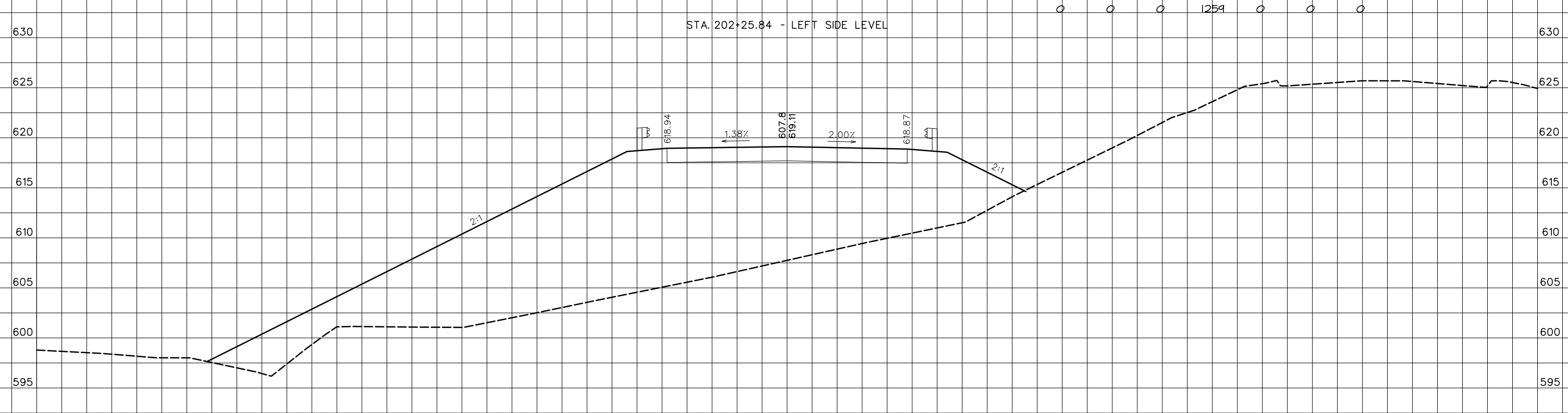
END AREAS, SQ. FT.

VOLUMES, CU. YD.

COUNTY OF	ITEM NO.	SHEET NO.
ESTILL	10-363.10	X211

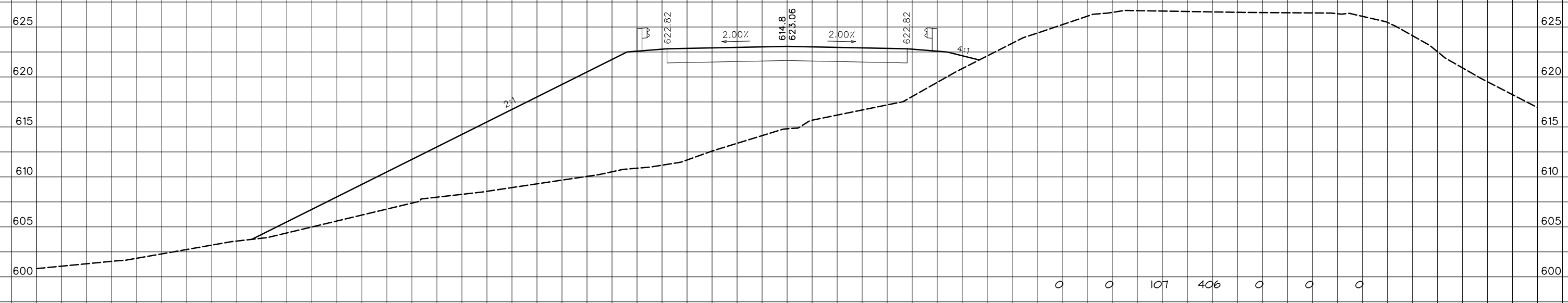
SURF. DT. LT. ROCK COM EMB REFILL SURF. DT. RT. EMB BENCH

SURF. DT. LT. ROCK COM EMB REFILL SURF. DT. RT. EMB BENCH



202+00

STA. 201+88.34 - END NORMAL GROWN



201+50

SCALE: 1" = 5' HORIZONTAL
1" = 5' VERTICAL

CROSS SECTION SHEET
STA. 201+50 TO STA. 202+00
WHITE OAK CREEK DETOUR

FILE NAME: T:\2498 PHASE2\SOUTHEND\SHEETS\XSECTS\DETOURXS.DGN

USER: AChadwell
DATE PLOTTED: December 2, 2012

E-SHEET NAME: X21100XS

MicroStation v8.11.7.443

75 50 25 0 25 50 75

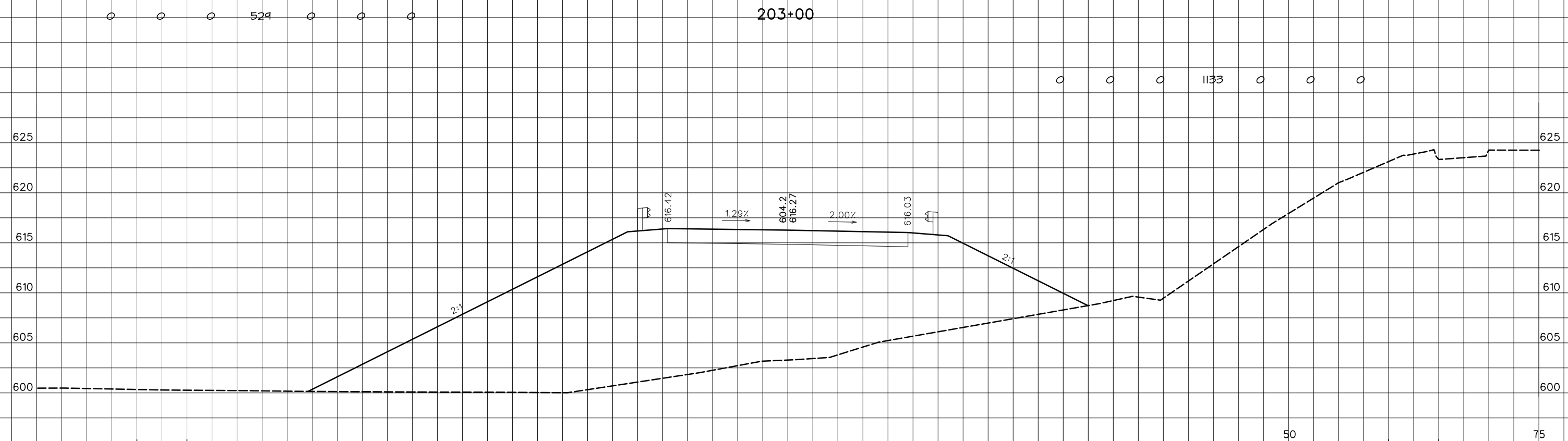
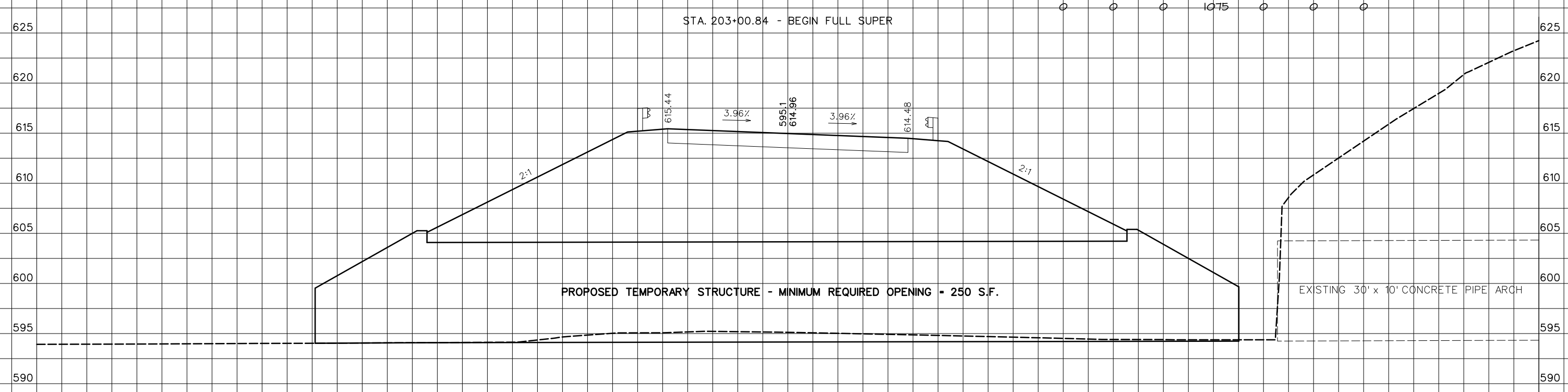
END AREAS, SQ. FT.

VOLUMES, CU. YD.

COUNTY OF	ITEM NO.	SHEET NO.
ESTILL	10-363.10	X212

SURF. DT. LT. ROCK COM EMB REFILL SURF. DT. RT. EMB BENCH

SURF. DT. LT. ROCK COM EMB REFILL SURF. DT. RT. EMB BENCH



SCALE: 1" = 5' HORIZONTAL
1" = 5' VERTICAL

CROSS SECTION SHEET
STA. 202+50 TO STA. 203+00
WHITE OAK CREEK DETOUR

FILE NAME: T:\2498 PHASE2\SOUTHEND\SHEETS\XSECTS\DETOURXS.DGN

USER: AChadwell
DATE PLOTTED: December 2, 2012

E-SHEET NAME: X21200XS

MicroStation v8.11.7.443

END AREAS, SQ. FT.

VOLUMES, CU. YD.

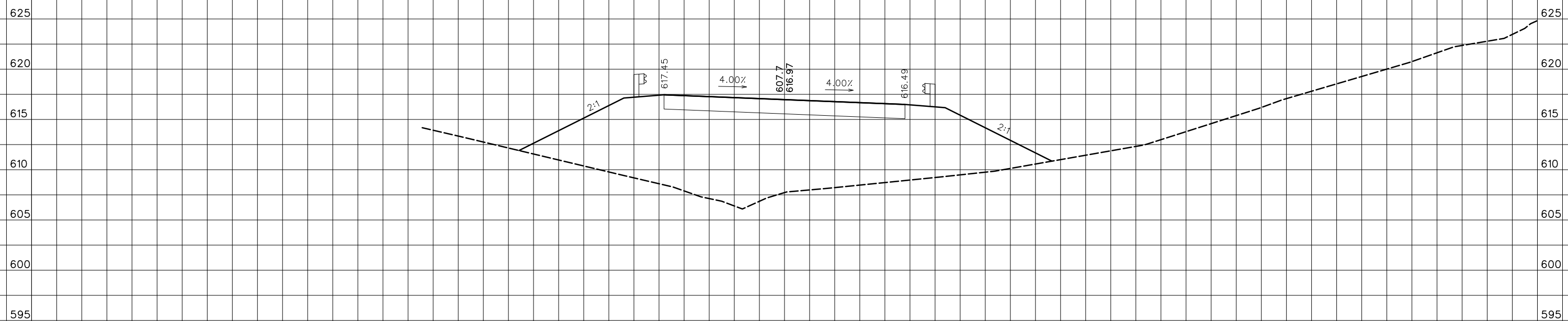
COUNTY OF	ITEM NO.	SHEET NO.
ESTILL	10-363.10	X213

SURF. DT. LT.	ROCK	COM	EMB	REFILL	SURF. DT. RT.	EMB BENCH
---------------	------	-----	-----	--------	---------------	-----------

SURF. DT. LT.	ROCK	COM	EMB	REFILL	SURF. DT. RT.	EMB BENCH
---------------	------	-----	-----	--------	---------------	-----------

STA. 204+07.11 - END FULL SUPER

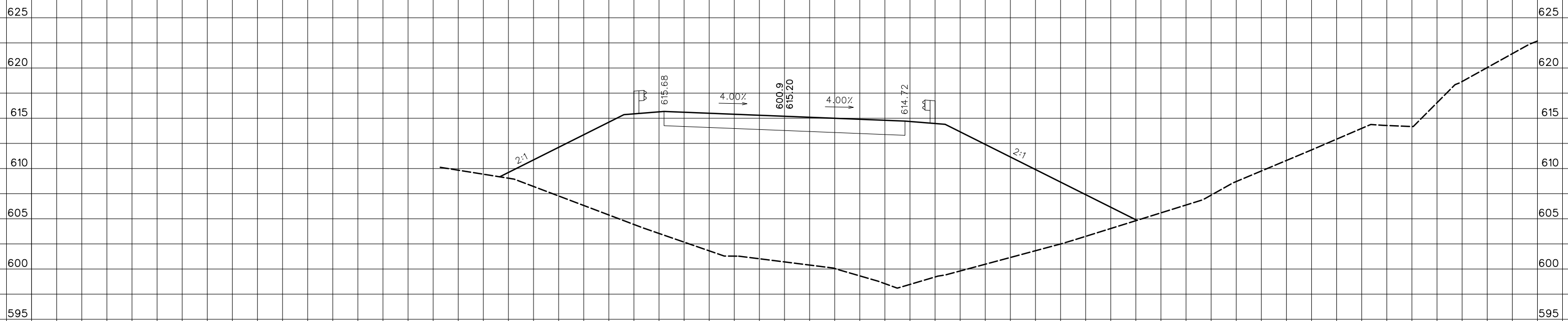
0	0	12	392	0	0	0
---	---	----	-----	---	---	---



0	0	0	327	0	0	0
---	---	---	-----	---	---	---

204+00

0	0	0	888	0	0	0
---	---	---	-----	---	---	---



0	0	0	632	0	0	0
---	---	---	-----	---	---	---

203+50

SCALE: 1" = 5' HORIZONTAL
1" = 5' VERTICAL

50 75

CROSS SECTION SHEET
STA. 203+50 TO STA. 204+00
WHITE OAK CREEK DETOUR

MicroStation v8.11.7.443
 E-SHEET NAME: X21300XS
 USER: AChadwell
 DATE PLOTTED: December 2, 2012
 FILE NAME: T:\2498 PHASE2\SOUTHEND\SHEETS\XSECTS\DETOURXS.DGN

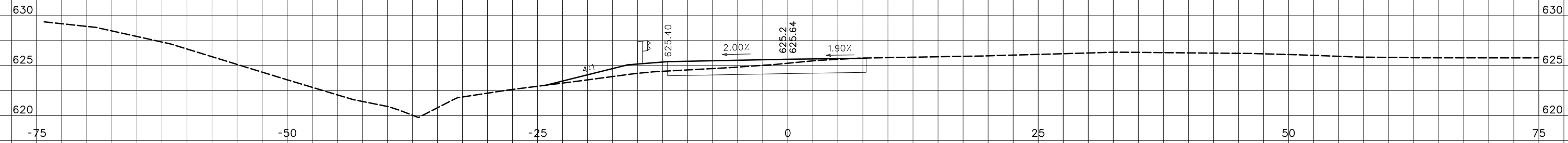
END AREAS, SQ. FT.

VOLUMES, CU. YD.

COUNTY OF	ITEM NO.	SHEET NO.
ESTILL	10-363.10	X214

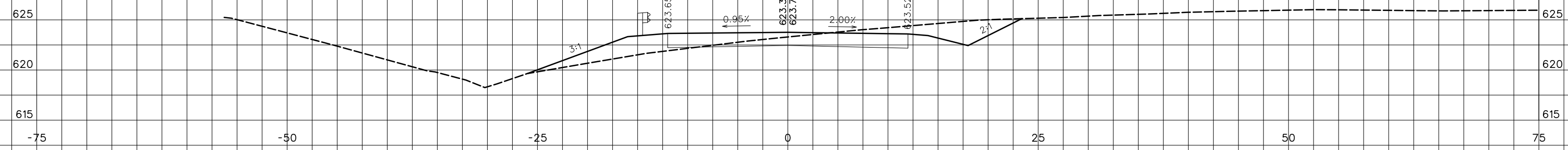
SURF. DT. LT. ROCK COM EMB REFILL SURF. DT. RT. EMB BENCH

SURF. DT. LT. ROCK COM EMB REFILL SURF. DT. RT. EMB BENCH



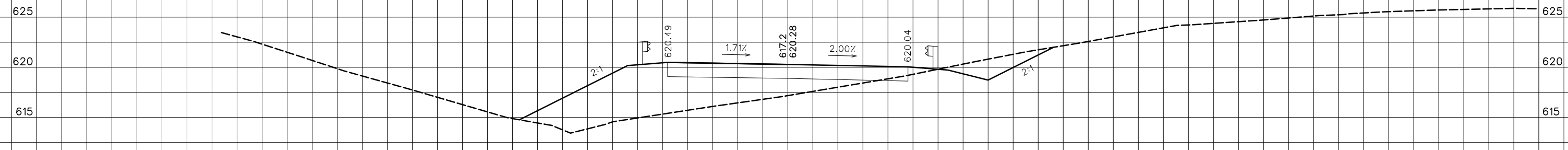
205+50

STA. 205+19.61 - BEGIN NORMAL CROWN



205+00

STA. 204+82.11 - LEFT SIDE LEVEL



204+50

SCALE: 1" = 5' HORIZONTAL
1" = 5' VERTICAL

CROSS SECTION SHEET
STA. 204+50 TO STA. 205+50
WHITE OAK CREEK DETOUR

MicroStation v8.11.7.443
 E-SHEET NAME: X21400XS
 USER: AChadwell
 DATE PLOTTED: December 2, 2012
 FILE NAME: T:\2498 PHASE2 SOUTHEND\SECTS\XSECTS\DETOURXS.DGN

END AREAS, SQ. FT.

VOLUMES, CU. YD.

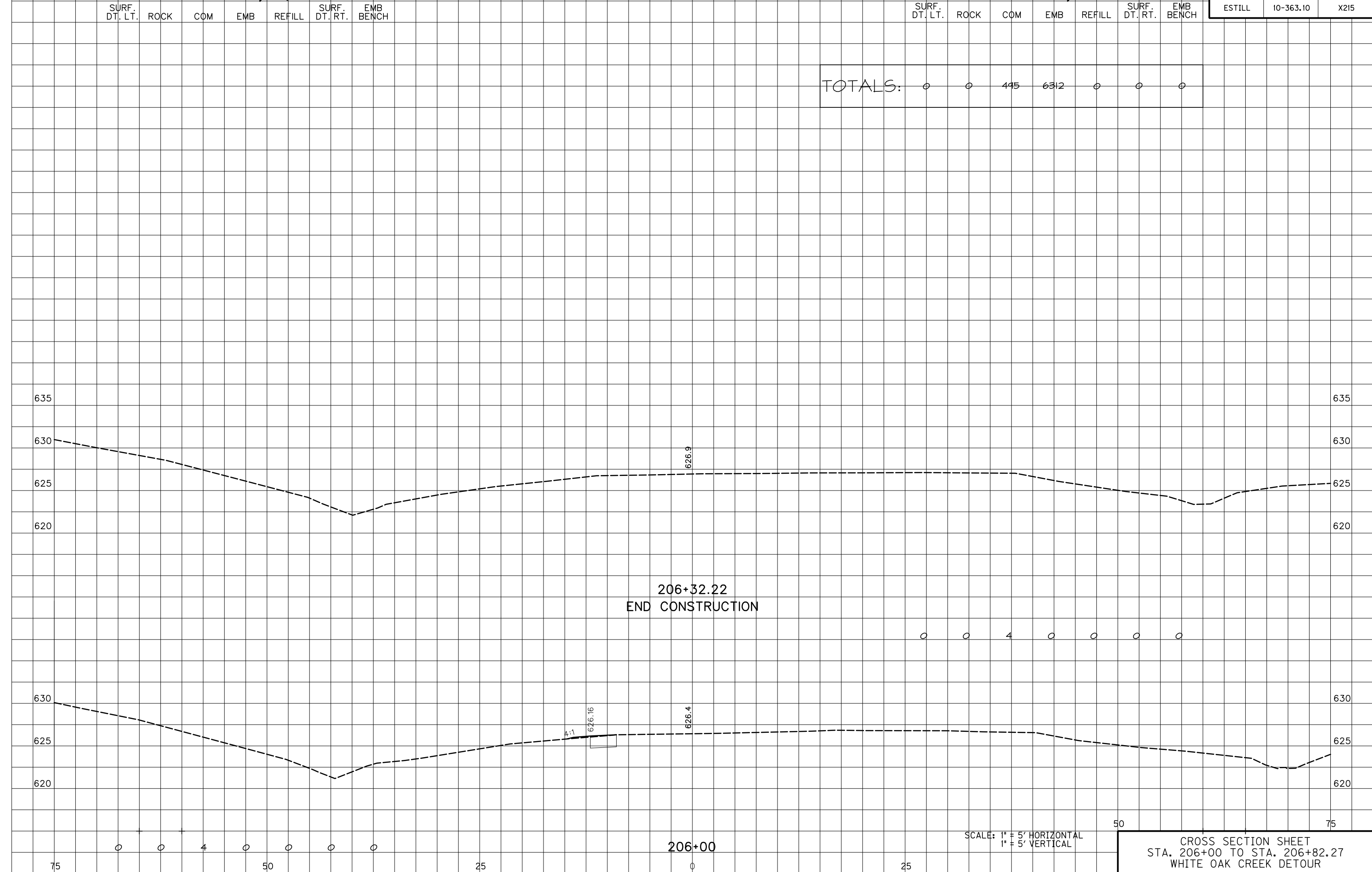
COUNTY OF	ITEM NO.	SHEET NO.
ESTILL	10-363.10	X215

SURF. DT. LT. ROCK COM EMB REFILL SURF. DT. RT. EMB BENCH

SURF. DT. LT. ROCK COM EMB REFILL SURF. DT. RT. EMB BENCH

TOTALS: 0 0 445 6312 0 0 0

MicroStation v8.11.7.443 E-SHEET NAME: X21500XS USER: AChadwell DATE PLOTTED: December 2, 2012 FILE NAME: T:\2498 PHASE2\ SOUTHEAST\ SHEETS\ XSECTS\ DETOURS.DGN



50 75

SCALE: 1" = 5' HORIZONTAL
1" = 5' VERTICAL

CROSS SECTION SHEET
STA. 206+00 TO STA. 206+82.27
WHITE OAK CREEK DETOUR